



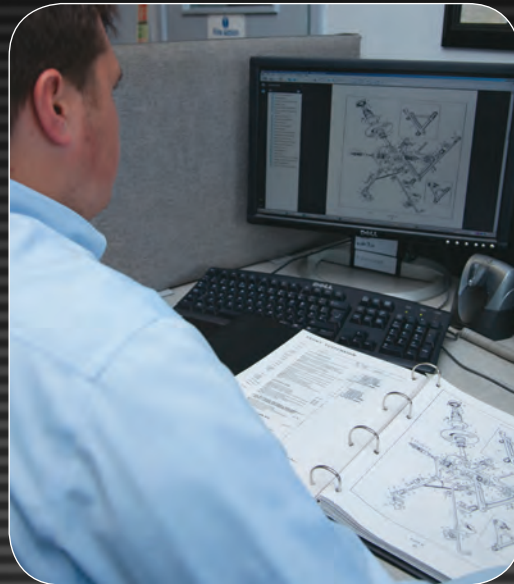
ULTIMATE JAGUAR PARTS SPECIALIST

EARLY ♦ SALOON MODELS



Mk IV ♦ Mk V ♦ Mk VII ♦ Mk VIII ♦ Mk IX

ULTIMATE JAGUAR PARTS SPECIALIST



With over 30 years experience in supplying Jaguar parts, SNG Barratt Group are the World's largest independent specialists, with a Head Office in the UK and branches in the USA, France and Holland. We stock and supply parts for Jaguar cars from 1949 right through to the present day.

At SNG Barratt we have always prided ourselves on maintaining a high standard both in terms of the service we offer and the range of parts which we supply. Our in-house manufacturing and supply network allows us to produce an extensive range of parts from switch gears, electrical motors, petrol tanks, to chromium plated bumper parts and body rubbers. Continued investment in the Jaguar marque ensures the availability of otherwise obsolete parts thus safeguarding the future of many historically important vehicles.

SNG Barratt has also received recognition from Jaguar by being awarded Authorised Parts Distributor status in the UK. This enables us to order stock directly from the factory on a daily basis and gain access to parts and knowledge for both classic and current models. The ongoing success of SNG Barratt can be credited to the highest levels of quality, service and attention to detail. Continued investment in technology and our people raise these standards and will best help us to offer continued excellence to our customers.



WELCOME

SNG Barratt first started to sell and remanufacture Jaguar components in the 1970's. With constant re-investment the range quickly grew and more and more items were re-introduced.

Now many years later we make a multitude of parts for all Jaguars, classic and modern. This catalogue is designed purely with the early saloon owner in mind and offers a comprehensive range of products.



YOUR CUSTOMER NUMBER

Upon dealing with SNG Barratt for the first time you will be allocated a customer number. In most cases this will be your UK postcode or in the USA your telephone number. However if you are outside the UK/USA your sales advisor will use either your postal area code or a number devised using your surname. This customer number can either be found on your invoice or simply by asking the person serving you. The ability to provide your customer number when contacting our sales department will allow us to access your information far faster and serve you even more efficiently.

Customer number:



HOW TO USE THIS CATALOGUE

Use the illustration in each section to identify the component that you require. Note the indicated item number and find the corresponding number in the section listing. There you will see our part number for that item, the description and to it's right the quantity required per car. Very often this will be the original Jaguar part number, thus allowing you to refer to an original factory parts catalogue if more detail is required.

Each part number is listed in our price list. This listed price is per item and is plus VAT, (BTW or Mwst where applicable) except in the case of books and other VAT-exempt items.

If you then quote this part number when contacting our sales department or enter it into our website, we will be able to confirm the cost and whether we have the part in stock.

If you cannot find or conclusively identify the item that you require then please call and we will aim to assist you.

Whilst this catalogue is a comprehensive publication it is not a definitive guide to everything that we do. Our staff have many years of experience with all aspects of the Jaguar marque and may just have the answer...

NOTE: The listing or illustrating of an item does not guarantee its availability.

HANDBRAKE MECHANISM
FIG. 13

FIG. 14 EXTERIOR CHROME

#	DESCRIPTION	PART#	REQ.	KIT	MODELS			
					40	41	42	43
N/S	Finisher joining front wings in front of grille	1745	1					
1	Finisher joining front wings in front of grille	BD2200	1					
2	Headlamp pod spear	BD2361	2					
N/S	Cowl finishers (one pair)	BD133/4	1					
3	Cowl finishers (one pair)	BD1978/9	1					
N/S	B/C post finisher Saloon	BD143	1					
4	B/C post finisher Saloon	BD1977	1					
N/S	Rear body spear							
N/S	Saloon, RH	BD132	1					
N/S	Saloon, LH	BD131	1					
5	Saloon, RH	BD1972	1					
	Saloon, LH	BD1971	1					
6	DHC, RH	BD2508	1					
N/S	DHC, LH	BD2507	1					
7	L-finishers on spare wheel door (one pair)	BD2153/4	1					
8	Straight finishers between L-finishers	BD2152	1					
9	Miscellaneous exterior chrome							

We manufacture hundreds of Jaguar parts and have access to thousands more, for classic and modern cars.

You can download your very own set of catalogues online:

www.sngbarratt.com





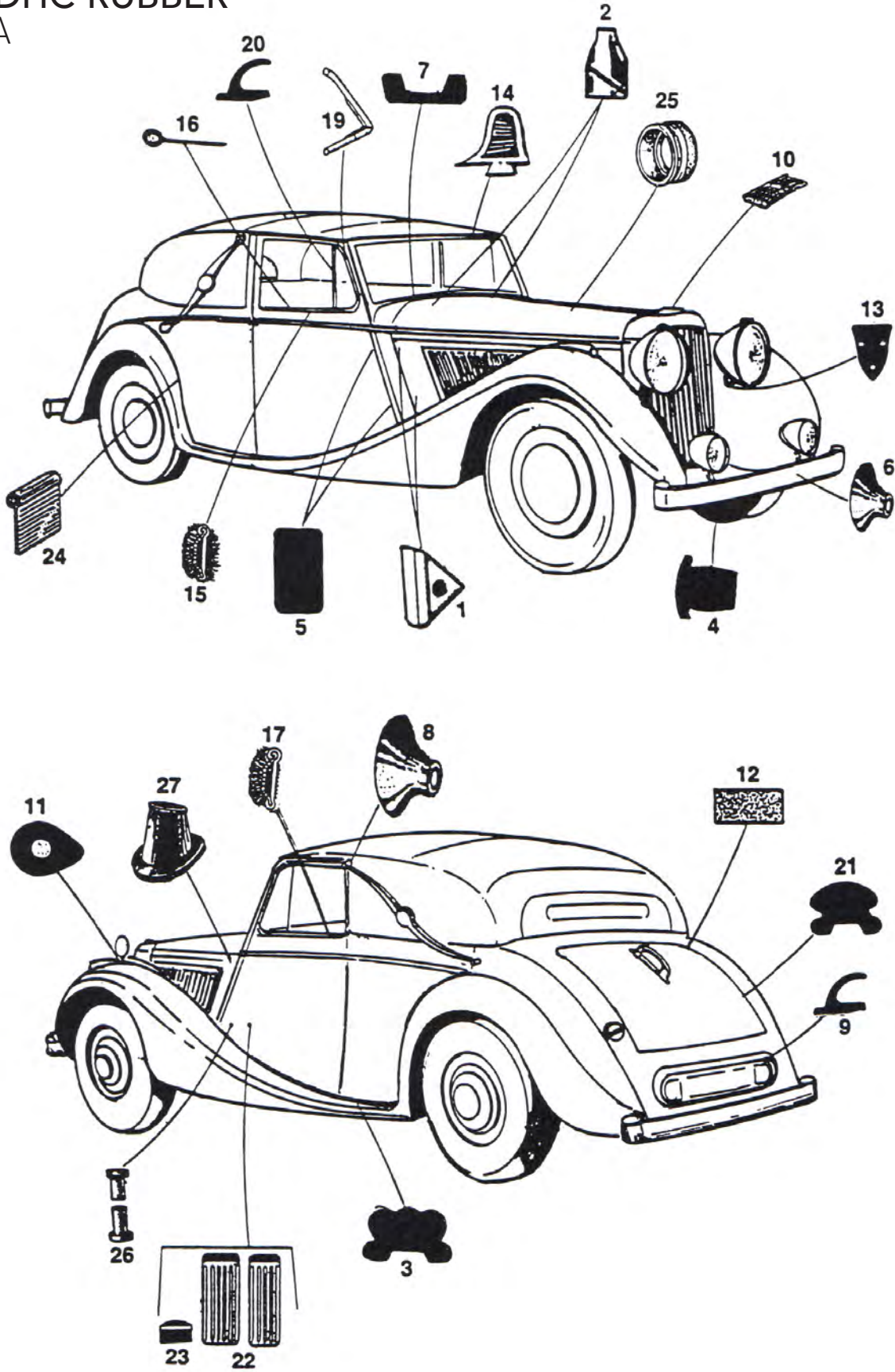
RUBBER TRIM MK 4	5-7
RUBBER TRIM MK 5	8-11
RUBBER TRIM MK 7/8/9	12-14
BODY FITTINGS	15-18
BRAKES DRUM BRAKES	19-20
BRAKES DISC BRAKES	21-22
BRAKE CONTROLS	23-27
CHROME MK 4/5 EXTERIOR	27-29
CHROME MK4/5 INTERIOR	30-31
CHROME MK 7/8/9 EXTERIOR	32-33
CHROME MK 7/8/9 INTERIOR	34-35
CLUTCH & CLUTCH HYDRAULICS	36-37
COOLING SYSTEM	38-41
IGNITION EQUIPMENT	42-43
ELECTRICAL ITEMS LAMPS	44-46
ELECTRICAL ITEMS SWITCHES	46-47
ELECTRICAL ITEMS WIRING SUNDRIES	48-49
ELECTRICAL ITEMS MISCELLANEOUS	49-54
ELECTRICAL ITEMS WIPER/WASHER EQUIPMENT	55
EXTERIOR BULBS	56
WIRING HARNESSSES MK 4/5/7	57-58
WIRING HARNESSSES MK 8	58-59
WIRING HARNESSSES MK 9	59
ENGINE COMPONENTS MK 4/5 CYLINDER BLOCK	60-61
ENGINE COMPONENTS MK 4/5 CYLINDER HEAD & TIMING GEAR	62-63
ENGINE COMPONENTS MK 7/8/9 CLYINDER BLOCK	64-65
ENGINE COMPONENTS MK 7/8/9 CRANKSHAFT & RELATED ITEMS	66-67
ENGINE COMPONENTS MK 7/8/9 OIL FILTER	68-69
ENGINE COMPONENTS MK 7/8/9 TIMING GEAR	70
ENGINE COMPONENTS MK 7/8/9 VALVE TRAIN	71-72
ENGINE COMPONENTS MK 7/8/9 CYLINDER HEAD	73-75
GEARBOX	76-79
DIFFERENTIAL & REAR AXLE	80-81
EXHAUST SYSTEM	82
FILTERS & AIR CLEANERS	83
CARBURETTOR	84-85
ACCELERATOR & FUEL ITEMS	86-87
BADGES & MOTIFS	88-90
REAR VIEW MIRRORS	91
LITERATURE	92
RESTORATION SUPPLIES	92-95
METAL ITEMS	96-97
FRONT SUSPENSION	98-99
STEERING	100-103
REAR SUSPENSION	104
INDEX	105

FIG. 5A MK4 DHC RUBBER

#	DESCRIPTION	PART#	REQ.	KIT
↓ BODY RUBBER				
1	Body corner cover set (4 pieces)	553/A/B	1	Y
2	Wiper spindle grommet	3512	2	Y
3	Running board channel insert kit	RT1023/30	1	Y
4	Plug for jacking tubes	1048/A	4	Y
5	Rubber buffer on door pillar			
	DHC	2222	4	Y
	Saloon	2222	8	Y
6	Grommet between bumper mounting stud & front fender (pair)	1832	1	Y
7	Rubber strip at rear edge of bonnet	593	1	Y
8	Rubber grommet for upper landau iron mounting, DHC	2263	2	Y
9	Seal around number plate panel	RT1073/2	1	Y
10	Lacing at radiator cowl	RT1052/1	1	Y
11	Fender mirror mounting pad	MP1001	2	Y
12	Boot lid seal	RT1082/96	1	Y
13	Headlamp pillar mounting pad	1740	2	Y
↓ GLASS SEALS				
	Door glass channel felt			
N/S	DHC	RT1006	2	Y
N/S	Saloon	RT1006	6	Y
14	Outer seal around windscreen	BD1207/2	1	Y
15	Outer door glass wipe			
	DHC	RT2000/3	2	Y
	Saloon	RT2000/1	4	Y
16	Piping kit for outer door glass wipe			
	DHC	RT1017/36	1	Y
	Saloon, front	RT1017/19	1	Y
	Saloon, rear	RT1017/32	1	Y
	Inner door glass wipe			
17	DHC	RT2000/3	2	Y
18	Saloon, front	BD2701/2	2	Y
	Saloon, rear	BD2701/4	2	Y
19	Saloon front vent window seal kit (pair)	1500/1531	1	Y
20	Saloon vertical seals at rear vent window (pair)	RT1073/1	1	Y
		RT1024/1		
↓ INTERIOR RUBBER				
21	Luggage channel insert kit	792	1	Y
22	Brake pedal pad	792	1	Y
22	Clutch pedal pad	C1816	1	Y
	Accelerator pad	C2659	1	Y
23	Dipswitch rubber pad		1	
↓ RUBBER KITS				
	(Inc. all items marked 'Y' in quantities to complete one car.)	RK1125		
	Mark 4 DHC	RK1126	1	
	Mark 4 saloon		1	
↓ ADDITIONAL RUBBER TRIM				
	(Not included in rubber kits)	RT1013/38		
24	Wing piping, car set	C1788	1	
25	Seal between air cleaner and manifold	C1915	1	
26	Gear lever mounting grommet	C3766	2	
27	Steering column grommet at firewall	1820	1	
	Buffer for door window stop		2	



MK4 DHC RUBBER FIG.5A



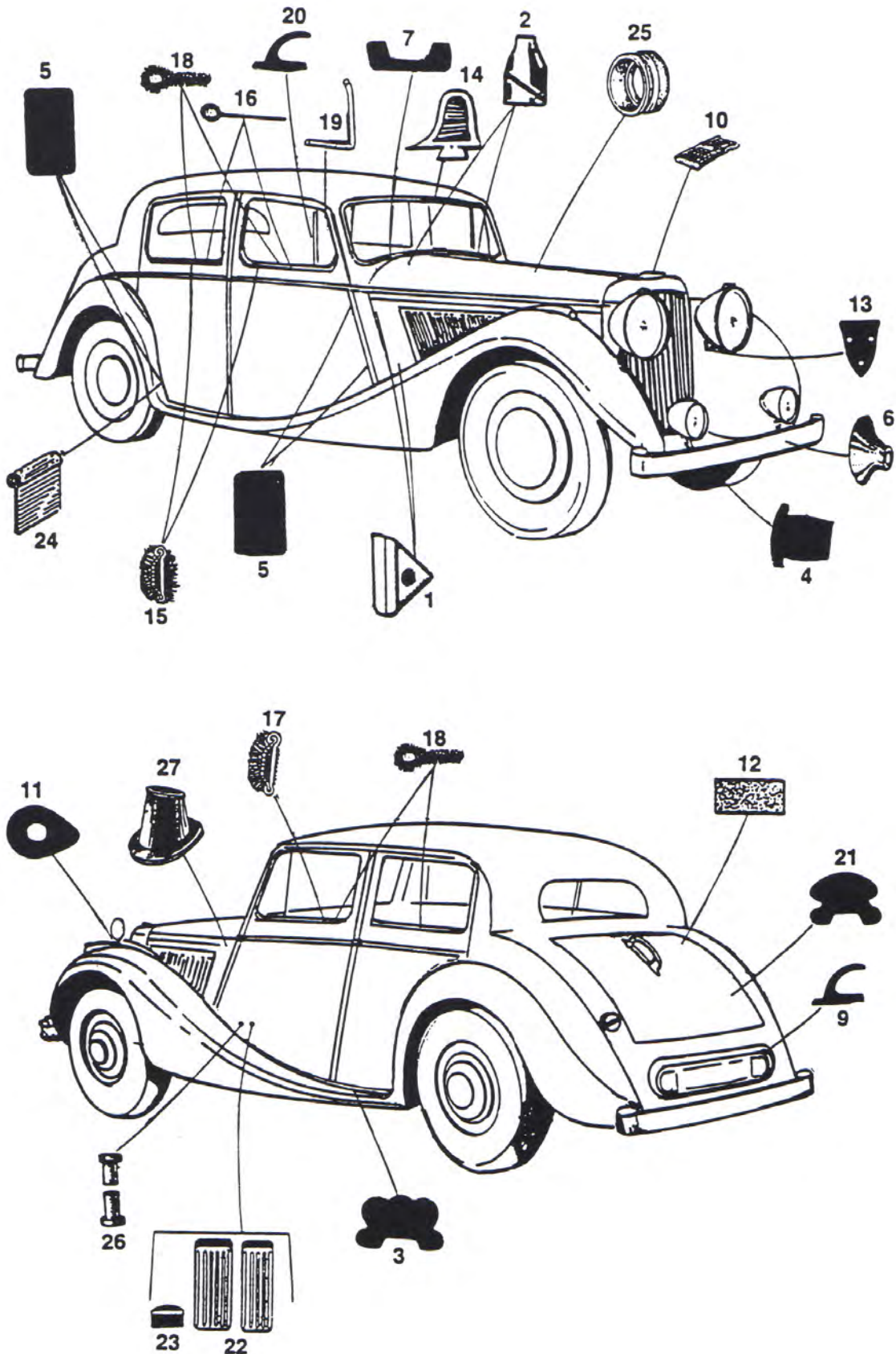
UK
BRIDGNORTH
+44 (0) 1746 765 432
sales.uk@sngbarratt.com

USA
MANCHESTER, NH
+1 800 452 4787 (toll free)
sales.usa@sngbarratt.com

HOLLAND
OISTERWIJK
+31 (0) 13 521 1552
sales.nl@sngbarratt.com

FRANCE
CHARNAY-LÈS-MÂCOI
+33 (0) 3 85 20 14 20
sales.fr@sngbarratt.com

MK4 SALOON RUBBER
FIG.5B



RUBBER TRIM

www.sngbarratt.com

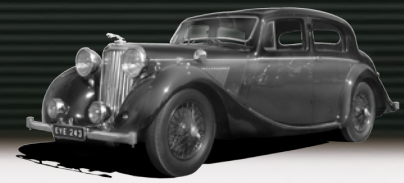


FIG. 6A/6B MK5 SALOON RUBBER

#	DESCRIPTION	PART#	REQ.	KIT
↓ BODY RUBBER				
1	Door seal kit for all door openings			
	DHC	RT1068/1	1	Y
	Saloon	RT1068/2	1	Y
2	Spare wheel door seal kit	RT1011	1	Y
3	Petrol filler door seal	BD2065	1	Y
4	Sealing rubber for fender skirts	RT1057	2	Y
5	Rubber strip at rear edge of bonnet	593	1	Y
6	Rubber grommet for upper landau iron mounting, DHC	2263	2	Y
7	Front fender vent door seals (pair)	BD3627	1	Y
8	Lacing at radiator cowl	RT1052/1	1	Y
9	Wiper spindle grommet	3512	2	Y
10	Fender mirror mounting pad	MP101	2	Y
	Sunroof seal			
11	Front	RT2000/39	1	Y
12	Rear	RT1070/40	1	Y
13	Boot lid seal	RT1082/96	1	Y
14	Top to windscreen seal (DHC)	RT1082/48	1	Y
↓ GLASS SEALS				
N/S	Door glass channel felt			
	DHC	RT1006	2	Y
	Saloon	RT1006	6	Y
15	Outer seal around windscreen	BD1207/2	1	Y
	Outer door glass wipe			
16	DHC	BD2701/2	2	Y
17	Saloon	RT2000/1	4	Y
18	Piping kit for outer door			
	DHC	RT1017/36	1	Y
	Saloon	RT1017/19	2	Y
19	Inner door glass wipe			
	DHC	BD2701/2	2	Y
	Saloon	BD2701/2	4	Y
20	Front vent window seal kit (pair)	RT1097	1	Y
21	Saloon rear vent window seal kit (pair)	RT1009/37	1	Y
22	Rear window seal (saloon)	RT1075/2	1	Y
↓ MISCELLANEOUS				
23	Headlamp mounting pad	3432	2	Y
24	Running board rubber mat kit	RT1021/1	1	Y
25	Plug for jacking tubes	1048/A	4	Y
26	Bonnet buffer	C2812	6	Y
↓				
27	Brake pedal pad	792	1	Y
27	Clutch pedal pad	792	1	Y
28	Accelerator pad	C3473	1	Y
29	Rubber pad for dip switch	C2659	1	Y
30	Cantrail buffer (DHC)	RT1084	2	Y
31	Luggage channel insert kit	RT1024/1	1	Y
↓ RUBBER KITS				
Includes all 'Y' marked items in quantities to complete one car				
N/S	Mark 5 DHC	RK1127	1	
	Mark 5 Saloon	RK1128	1	
↓ ADDITIONAL RUBBER TRIM				
Not included in rubber kits				
32	Pedal stem draught excluder	C4036	2	
33	Steering column grommet at firewall	C3766	1	

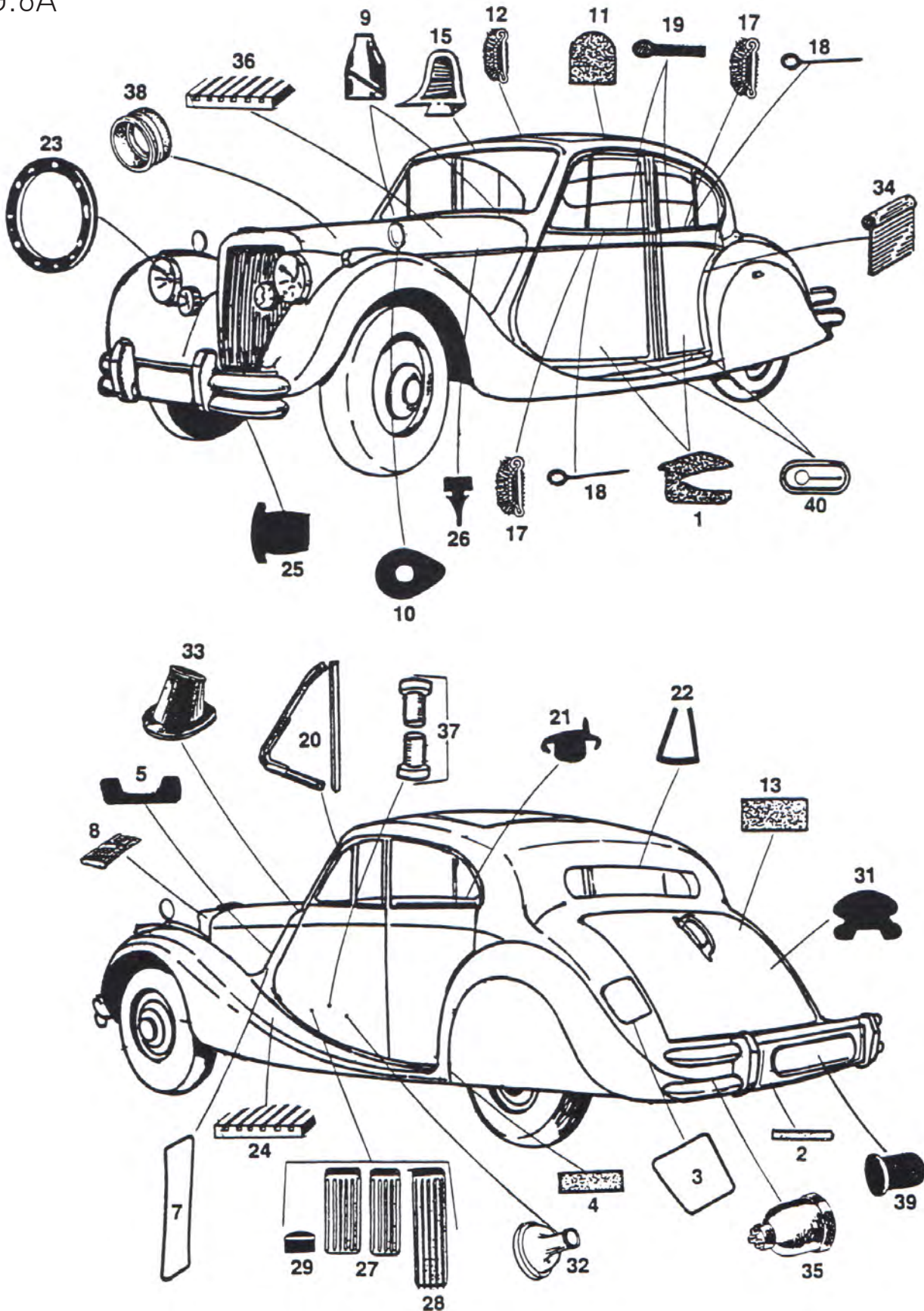
FIG. 6A/6B MK5 SALOON RUBBER

#	DESCRIPTION	PART#	REQ.	KIT
34	Wing piping car set	RT1013/38	1	
35	Tail lamp boot			
	With trafficators	C2979	2	
	With flashers	C2979	4	
36	Battery mat	RT1098	1	
37	Grommet for gear lever mounting	C1915	2	
38	Seal between air cleaner and manifold	C1788	1	
39	Plug for stowing jack on forward clip	BD3527	1	
40	Grommet for door check strap			
	DHC	BD2517	2	
	Saloon	BD2517	4	
N/S	Buffer on door check strap			
	DHC	1820	2	
	Saloon	1820	4	

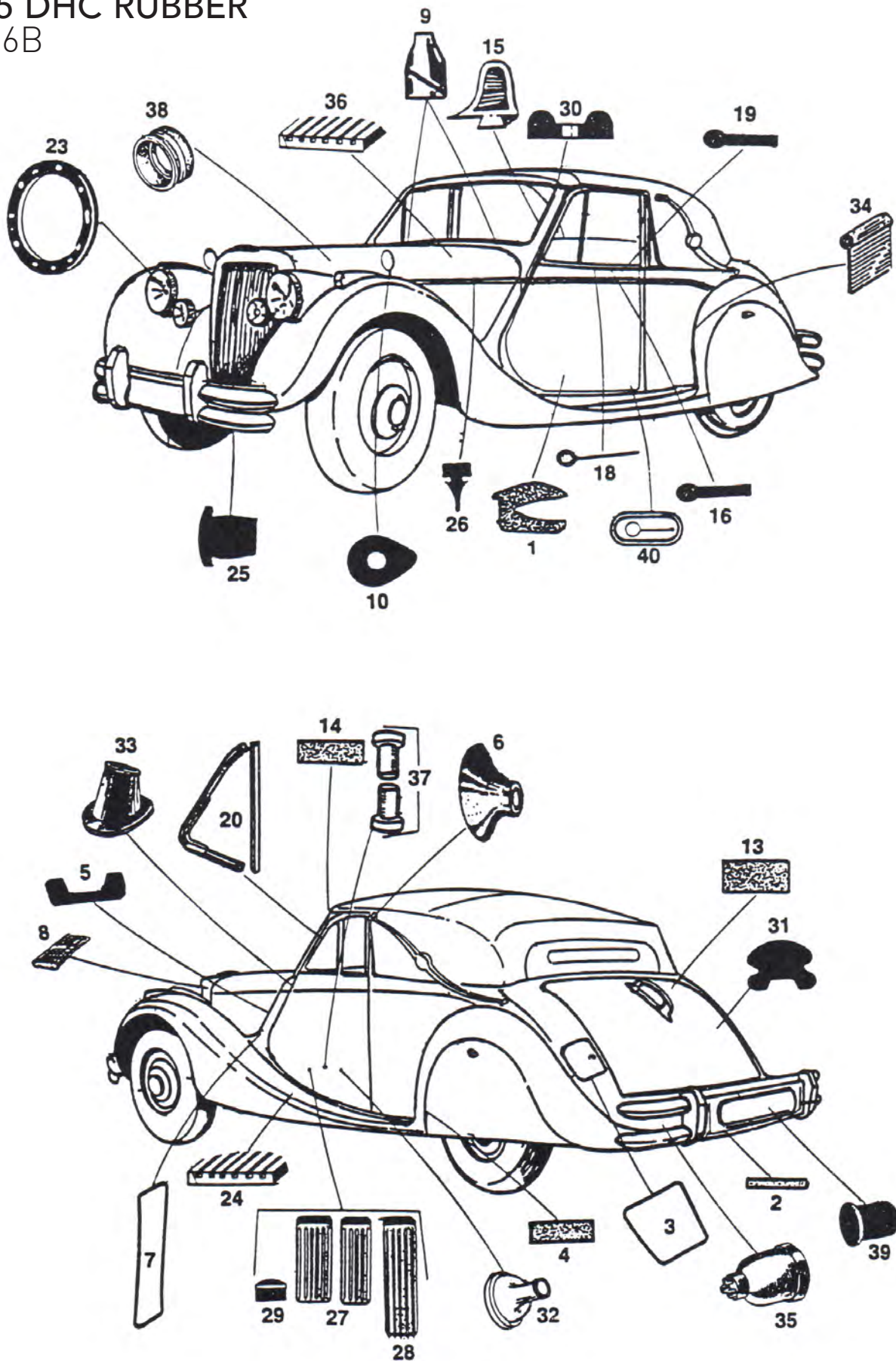
SEE OVERLEAF FOR FIGS.



MK5 SALOON RUBBER
FIG.6A



MK5 DHC RUBBER FIG.6B



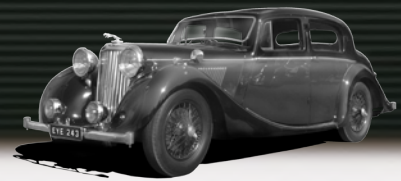
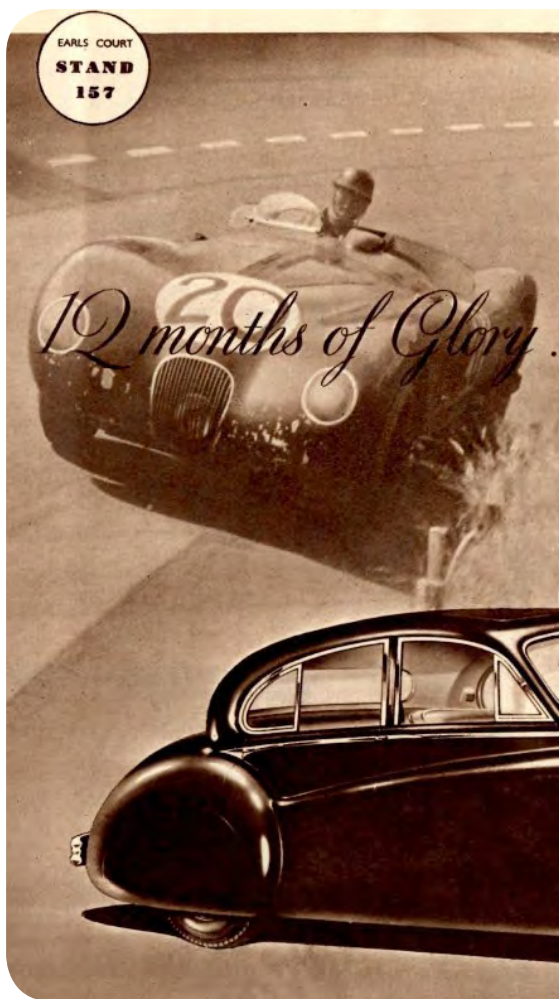


FIG. 7 MK7/MK8/MK9 RUBBER

#	DESCRIPTION	PART#	REQ.	KIT	MODELS					
					MK4	MK5	MK7	MK8	MK9	
↓ BODY SEALS										
1	Door seal kit for all door openings, fits under windlace	RT1010/57	1	Y			●	●	●	
2	Boot lid seal	RT1071/158	1	Y			●	●	●	
3	Fender skirt seal	RT1057	2	Y			●	●	●	
4	Fender mirror mounting pad	MP1001	2	Y			●	●	●	
5	Rear edge of bonnet seal	BD4920/3	1	Y			●	●	●	
6	Bonnet buffer at sides	BD4951	6	Y			●	●	●	
7	PVC kit for bumper over riders	RT1056/3	1	Y			●	●	●	
8	Jacking tube, front	1048/A	2	Y			●	●	●	
9	Jacking tube, side	C4928	2	Y			●	●	●	
10	Fuel flap buffer	BD4321	4	Y			●	●	●	
11	Front sunroof seal	RT1069/42	1	Y			●	●	●	
12	Wiper spindle pad	RT1007	2	Y			●	●	●	
13	Rear bumper to body seal	RT1091/1	1	Y			●			
13	Rear bumper to body seal	Rt1091/2	1	Y				●	●	
14	License plate and reversing lamp piping	RT1017/42	1	Y			●	●	●	
15	Bonnet buffer, front	BD7841	2	Y			●	●	●	
N/S	Buffer in flange for rear wheel covers	BD4321	6	Y			●	●	●	
↓ GLASS SEALS										
16	Windscreen seal	BD4828	1	Y			●			
17	Windscreen seal	BD12584	1	Y				●	●	
18	Locking rubber for windscreen seal		1	Y				●	●	
19	Rear window seal		1	Y			●	●	●	
20	Front vent window seal kit (pair)	RT1097	1	Y			●	●	●	
21	Rear vent window seal kit (pair)	RT1009/37	1	Y			●	●	●	
22	Outer door glass wipe	RT2000/1	4	Y			●	●	●	
23	Inner door glass wipe	BD2701/4	4	Y			●	●	●	
24	Piping kit for door top	RT1017/32	2	Y			●	●	●	
↓ LAMP MOUNTING PADS & GASKETS										
Tail lamp mounting pads										
25	Round lamp, pair (to Chas. No. 738183)	BD4829	1	Y			●			
26	Oval lamp, pair (from Chas. No. 738184)	5319	1	Y			●			
26	All	5319	1	Y				●		
26	One piece lens, pair (to Chas. No. 791862)	5319	1	Y					●	
27	Two piece lens (from Chas. No. 791863) RH	8454	1	Y					●	
27	Two piece lens (from Chas. No. 791863) LH	8455	1	Y					●	
Tail lamp lens gaskets										
28	Oval lamp, pair (to Chas. No. 738184)	5315	1	Y			●			
28	All (pair)	5315	1	Y				●		
28	One piece lens, pair (to Chas. No. 791862)	5315	1	Y					●	
29	Two piece lens, pair (from Chas. No. 791863)	8083	1	Y					●	
30	Front flasher mounting pad & boot	C9926	2	Y			●	●	●	
31	Headlamp bowl mounting pad	8402	2	Y			●	●	●	
32	Headlamp dust excluder	3446	2	Y			●	●	●	
33	O-ring seal for side lamps	3405	2	Y			●	●	●	
↓ INTERIOR RUBBER										
34	Seal kit for door tool boxes	RT1069/43	1	Y			●	●	●	
35	Gear lever grommet	BD14134	1	Y			●	●	●	
36	Dipper switch pad	C2659	1	Y			●	●	●	
37	Accelerator pedal pad	C3473	1	Y			●	●	●	
38	Clutch pedal pad	792	1	Y			●	●		
39	Clutch pedal pad	C8969	1	Y					●	
38	Brake pedal pad, manual transmission	792	1	Y			●	●		
39	Brake pedal pad, manual transmission	C8969	1	Y					●	
40	Brake pedal pad, automatic transmission	C6876	1	Y			●	●	●	

FIG. 7 MK7/MK8/MK9 RUBBER

#	DESCRIPTION	PART#	REQ.	KIT	MODELS				
					MK4	MK5	MK7	MK8	MK9
↓ RUBBER KITS									
Includes all 'Y' marked items in quantities to complete one car									
MARK 7									
	Manual transmission (to Chas. No. 738183) with round tail lamps	RK1129	1					●	
	Automatic transmission (to Chas. No. 738183) with round tail lamps	RK1130	1					●	
	Manual transmission (from Chas. No. 738184) with oval tail lamps	RK1131	1					●	
	Automatic transmission (from Chas. No. 738184) with oval tail lamps	RK1132	1					●	
MARK 8									
	Manual transmission	RK1133	1						●
	Automatic transmission	RK1134	1						●
MARK 9									
	Manual transmission (to Chas. No.791862) with one piece tail lamps	RK1135	1						●
	Auto. transmission (to Chas. No.791862) with one piece tail lamps	RK1136	1						●
	Manual transmission (from Chas. No.791863) with two piece tail lamps	RK1137	1						●
	Auto. transmission (from Chas. No.791863) with two piece tail lamps	RK1138	1						●
↓ ADDITIONAL RUBBER TRIM (Not included in rubber kit.)									
41	Jack stowing plug on forward clip (in boot)	BD3527	1					●	●
42	Grommet for gear lever mounting (manual transmission)	C1915	2					●	●
43	Seal between air cleaner and manifold	C1788	1					●	●
N/S	Buffer in floor stiffener	BD4616	1						●
N/S	Rubber pad under boot lid handles	BD6591	2						●

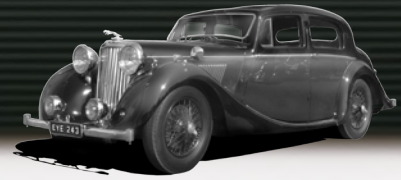


EARLS COURT
STAND
157

Since the debut of the Mark VII Jaguar at the last Motor Show, time has shown how well it merited that first sensational acclamation. In the same 12 months the Jaguar XK has dominated the International motoring scene, gaining success in no fewer than 12 major events, including the Le Mans 24 hour race—the first British Car to do so for 16 years. Jaguar are proud of this year of great achievement and of the generous tributes paid to their cars by press and public throughout the world.

JAGUAR

...Grace..Space..Pace



MK7/MK8/MK9 RUBBER FIG.7

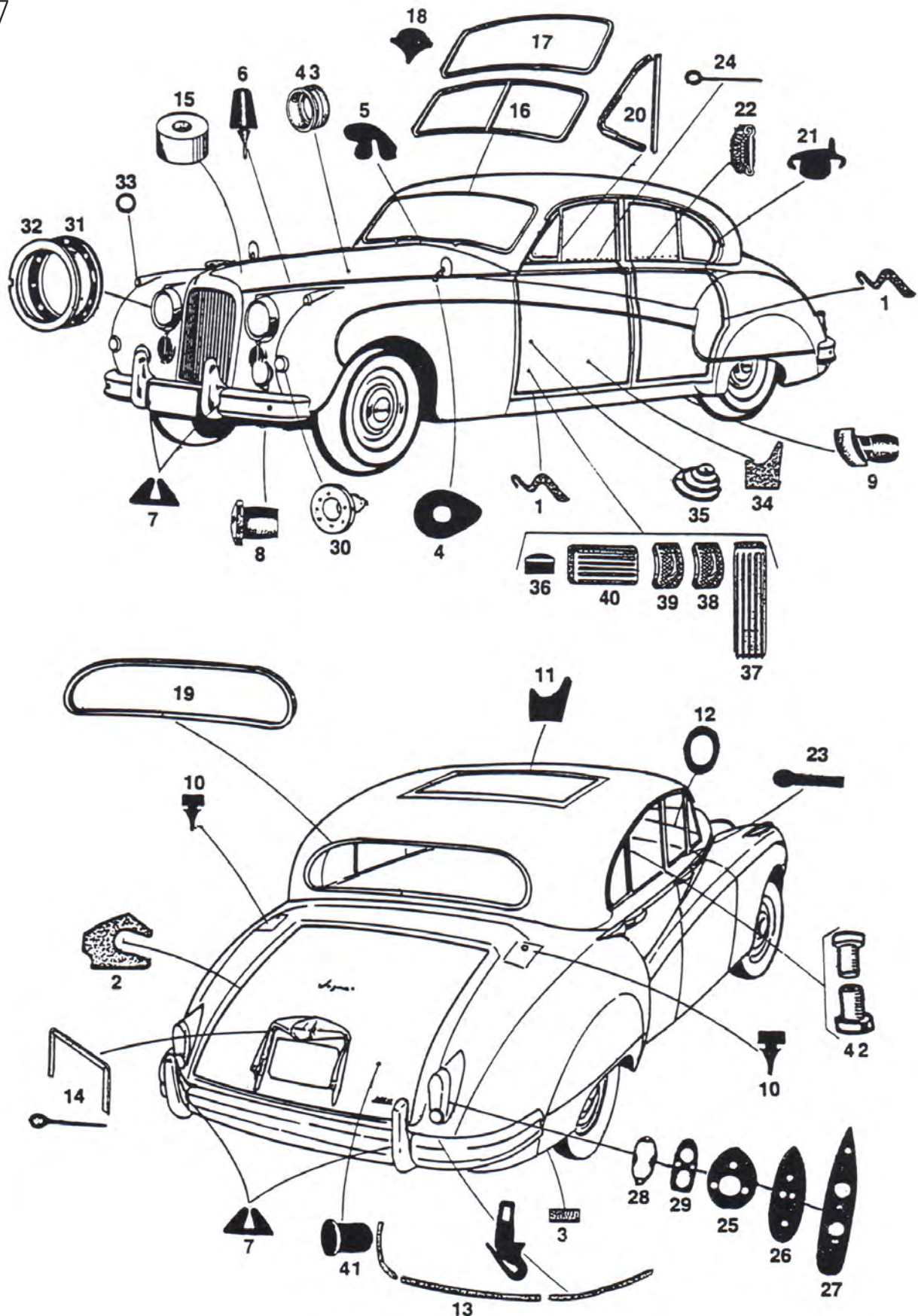


FIG. 8 BODY FITTINGS

#	DESCRIPTION	PART#	REQ.	KIT	MODELS				
					Mk4	Mk5	Mk7	Mk8	Mk9
	↓ EXTERIOR								
1	Budget exterior locks for wheel spats & spare tyre door (pair)	BD2121	1		●	●	●	●	●
2	Bumper mounting buffer	BD1791	2		●				
3	Bumper mounting bolt (chrome)								
	Rear	C1021	2		●				
	Front or rear	BD9870	4				●	●	●
N/S	Headlamp mounting ring	3450	2			●	●		
4	Headlamp mounting bucket	6670	2					●	●
5	Door dovetail striker (DHC)								
	RH	2311/1	1		●	●			
	LH	2310/1	1		●	●			
N/S	Fog lamp mounting brackets (pair)	BD9242/43	1				●	●	●
6	Front number plate panel	BD9856	1			●	●	●	●
7	Spacer between number plate panel & bumper	BD9872	2				●	●	●
N/S	Space for front bumper mounting	BD9874	2						●
8	Spring for fuel filler cap seal	BD4394	1				●	●	●
9	Spring for fuel flap hinge	BD4358/S	1				●	●	●
N/S	Lock barrel & key								
	For door handles (DHC)	BD1834	2		●	●			
	For boot lid handle	BD1840	1		●	●			
N/S	Sunroof drain tubes								
	Front	BD659/1	2		●				
	Rear	BD659/2	2		●				
	Front	BD659/3	2			●			
	Rear	BD659/4	2			●			
	Front	BD659/5	2				●	●	●
	Rear	BD7407	2				●	●	
	Rear (to Chas. no. 790415)	BD7407	2						●
	Rear (from Chas. no. 790416)	BD16605	2						●
	↓ INTERIOR								
10	Cubby box lock	BD5300	1				●	●	●
11	Ignition lock & key	BD10610	1		●	●	●	●	●
12	Horn button - Domed type	2845	1			●			
13	Horn button - Flat type	5934	1				●	●	●
14	Horn button base	2846	1			●			
15	Horn button base	5936	1				●	●	●
16	Gear lever knob (manual)	C2291	1		●	●	●	●	●
17	Lock nut under gear lever knob	C1928	1		●	●	●	●	●
18	Metal securing band for leather gear lever gaiter	BD7738/1	1		●	●	●	●	●
	Gear selector indicator panel								
19	Automatic gearbox (without power steering)	C7024	1				●	●	
20	Automatic gearbox (with power steering)	C12461	1					●	●
21	Jack hole cover in floorboards	BD3037	2			●	●	●	●
N/S	Transmission dipstick cover plate	BD3777	1			●			
22	Transmission dipstick cover plate	BD8279	1				●	●	●
23	Dzus fasteners for gearbox dipstick cover (pair, inc. sockets)	HW1063	1			●	●	●	●
24	Spare wheel clamp	BD6240	1				●	●	●
	↓ DASHBOARD KNOBS								
N/S	Lighting switch lever	C2757/K	1		●				
N/S	Lighting switch lever	CR1040	1			●			
25	Lighting switch lever	C4618	1				●	●	●
N/S	Starter switch knob	C2668/3	1			●			
26	Starter switch knob	C4622	1				●	●	●
N/S	Panel/interior lamp switch knob	C2688/2	1			●			
27	Panel/interior lamp switch knob	C4621	1				●	●	●

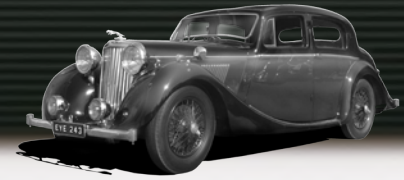
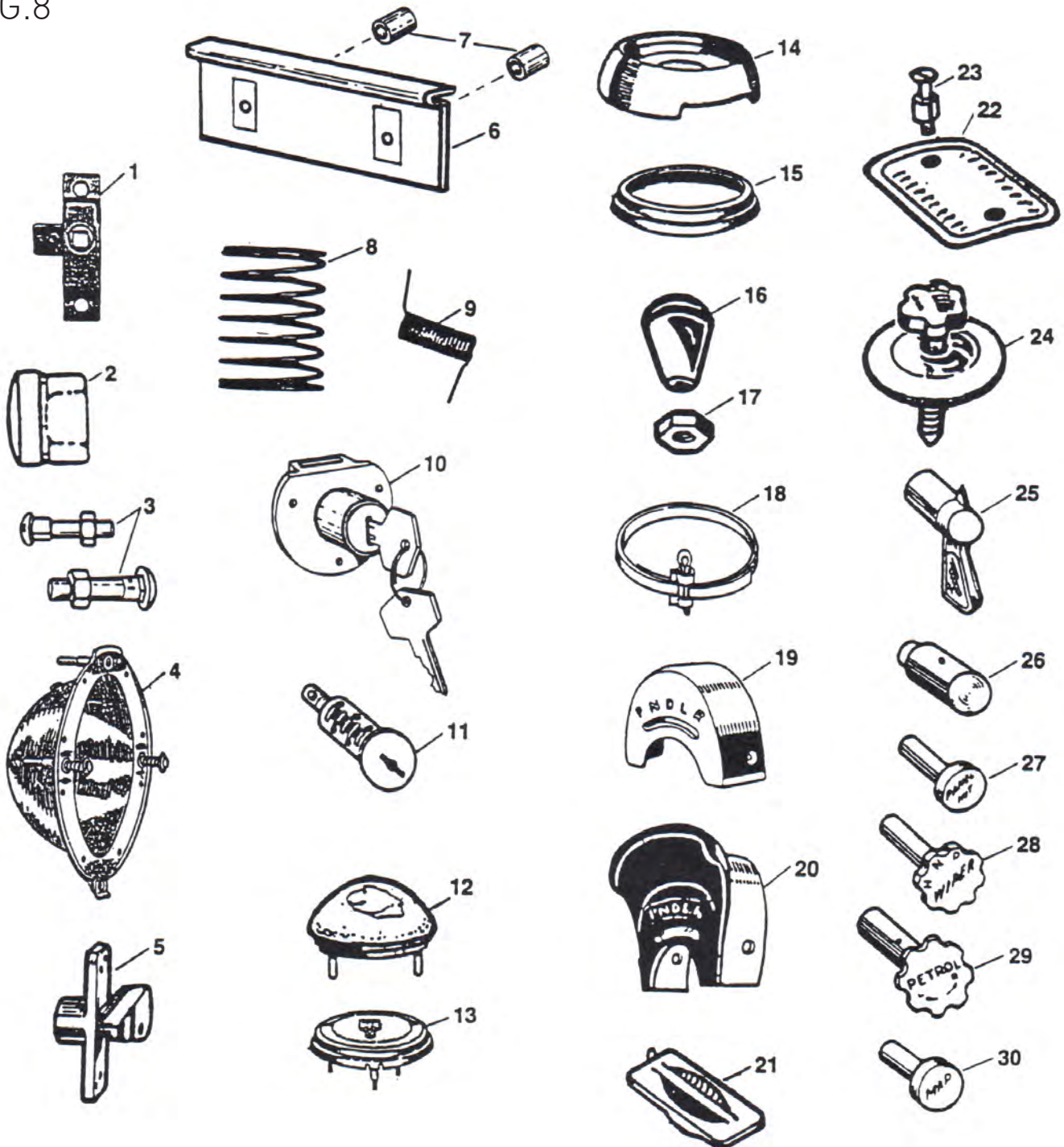


FIG. 8 BODY FITTINGS

#	DESCRIPTION	PART#	REQ.	KIT	MODELS				
					Mk4	Mk5	Mk7	Mk8	Mk9
N/S	Wiper switch knob	C2668/2	1		•				
N/S	Wiper switch knob (to Chas. no. 732208)	C4663	1			•			
28	Wiper switch knob (from Chas. no. 732209)	C4664	1			•	•	•	
N/S	Fuel changeover switch knob (to Chas. no. 730013)	C4620	1			•			
29	Fuel changeover switch knob (from Chas. no. 730014)	C4665	1			•	•	•	
N/S	Map light switch knob	C2668/1	1		•				
30	Map light switch knob	C4619	1			•	•	•	

BODY FITTINGS

FIG.8



UK
BRIDGNORTH
+44 (0) 1746 765 432
sales.uk@sngbarratt.com

USA
MANCHESTER, NH
+1 800 452 4787 (toll free)
sales.usa@sngbarratt.com

HOLLAND
OISTERWIJK
+31 (0) 13 521 1552
sales.nl@sngbarratt.com

FRANCE
CHARNAY-LÈS-MÂCOI
+33 (0) 3 85 20 14 20
sales.fr@sngbarratt.com

FIG. 9 BODY FITTINGS

#	DESCRIPTION	PART#	REQ.	KIT	MODELS				
					Mk4	Mk5	Mk7	Mk8	Mk9
↓ INTERIOR									
N/S	Heater fan switch knob (to Chas. no. 527134 & 627810)	C2668/2	1		●				
N/S	Heater fan switch knob (from Chas. no. 527135 & 627811)	C2668/7	1		●				
1	Heater fan switch knob	C4662	1			●	●	●	
N/S	Heater valve operating knob	C2668/4	1		●				
2	Heater valve operating knob	C4623	1			●	●	●	
N/S	Fog lamp switch knob	C2668/2	1		●				
3	Gear selector knob (automatic transmission)	C7351	1				●	●	
N/S	Instrument panel thumb screw	BD5157	2					●	
N/S	Ashtray in dash fascia (DHC)	BD553	1		●	●			
↓ SEAT BELTS									
LAP STYLE - A period looking belt with chrome lift-style									
Buckle & leaping cat motif. Suitable for front & rear									
N/S	Black	BF2004/1	A/R		●	●	●	●	●
N/S	Grey	BF2004/2	A/R		●	●	●	●	●
N/S	Tan	BF2004/11	A/R		●	●	●	●	●
N/S	Eyebolt mounting kit for one lap-style belt	BF2005	A/R		●	●	●	●	●
3-POINT STYLE - With chrome lift-style buckle and									
leaping cat motif. Mounting point on pillar must be created.									
Use for front seats only. Mounting hardware included.									
N/S	Black	BF2012/1	A/R		●	●	●	●	●
N/S	Grey	BF2012/2	A/R		●	●	●	●	●
↓ ENGINE COMPARTMENT									
N/S	Fusebox cover	334956	1		●				
4	Fusebox cover	C2725	1			●			
5	Fusebox cover	C4516	1				●		
5	Fusebox cover (to Chas. no. 781179)	C4516	1					●	
6	Fusebox cover (from Chas. no. 781180)	C13924	1					●	
7	Fusebox cover (All)	C14526	1						●
N/S	Fusebox knob	C5549	1					●	●
N/S	Washer pump & jar (to Chas. no. 740195)	C4573/1	1			●			
8	Washer pump & jar (from Chas. no. 740196)	C10127/1	1			●			
8	Washer pump & jar (All)	C10127/1	1					●	●
9	Replacement glass washer jar for C10127/1	C10127/2	1			●	●	●	
N/S	Washer tubing kit	BF2018	1			●	●	●	
N/S	Washer tubing tee (included in tubing kit)	C5473/6	1			●	●	●	
10	Vacuum check valve	C11491	1			●	●	●	
11	Bonnet release cable	BD2954	1			●	●	●	
N/S	Abutment for bonnet release cable adjuster	C3880	1						●
N/S	Bonnet release cable adjuster	C4443	1						●
N/S	Bonnet prop rod	BD6155	1					●	●
N/S	Bonnet prop rod clip	BD7868	1					●	●
N/S	Double coil washer	FG204/X	1					●	●
12	Coil mounting bracket	C8047	1			●	●	●	
N/S	Clip for high tension leads	3090	1		●	●			
N/S	Clip for high tension leads	3091	2		●	●			
13	Mounting strap for 5 way connector	C2796	1				●	●	●
14	Mounting strap for 10 way connector	C2797	1			●	●	●	●
15	Clip securing water temperature thermocouple to radiator stay		4		●				
N/S	Bonnet prop clip	BD7866	1					●	●
16	Wiper motor mounting bracket	C2670	1			●			
17	Oval body washer, 1/4" hole	BD542/3	A/R		●	●	●	●	●
17	Oval body washer, 5/16" hole	BD542/6	A/R		●	●	●	●	●
↓ BATTERY MOUNTINGS									
N/S	Battery clamp	C2650	1		●	●	●		

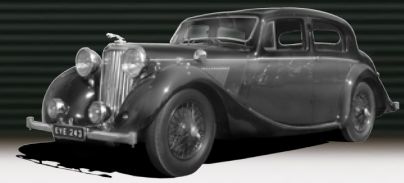
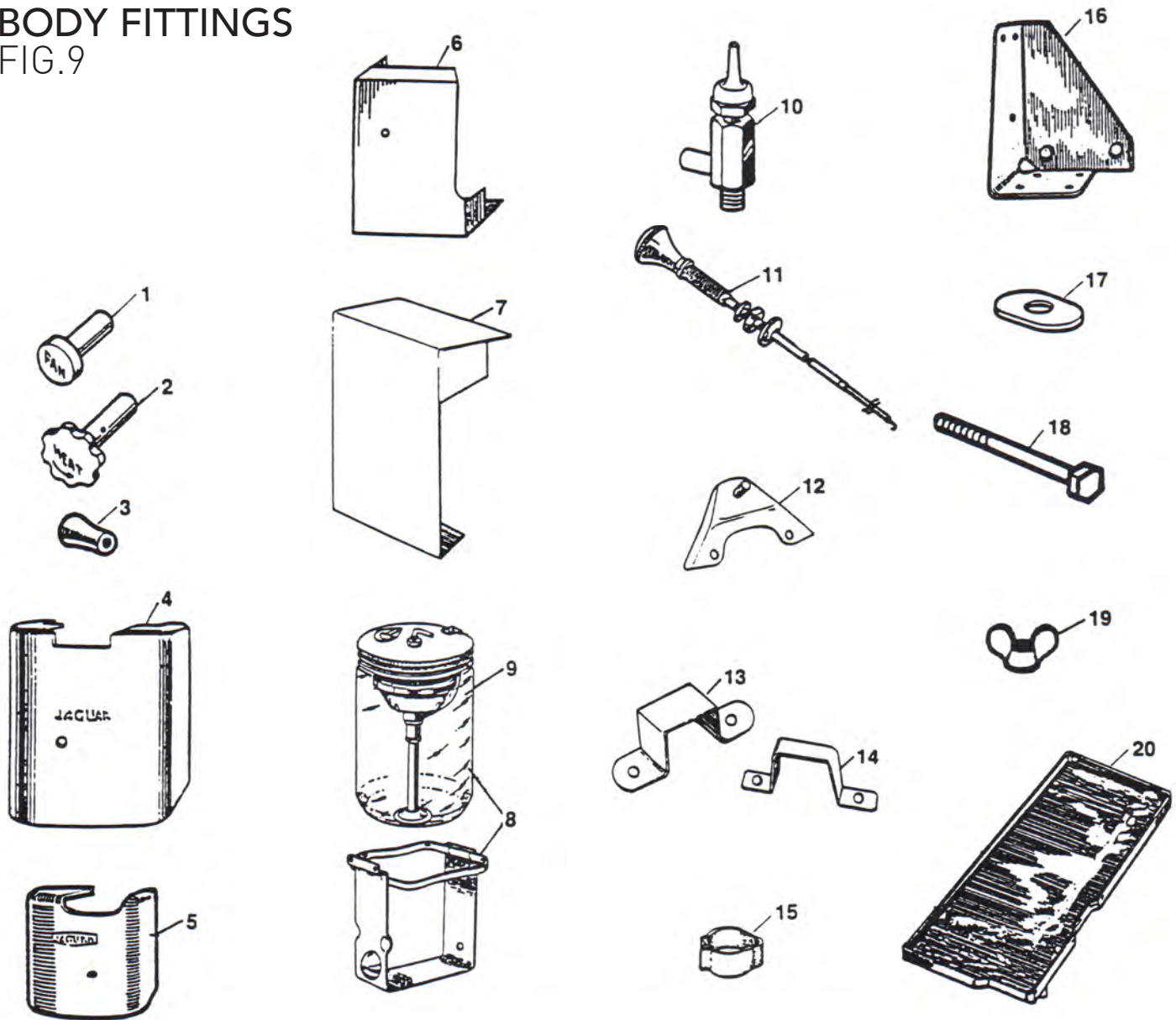


FIG. 9 BODY FITTINGS

#	DESCRIPTION	PART#	REQ.	KIT	MODELS				
					MK4	MK5	MK7	MK8	MK9
N/S	Battery clamp	C15763	2						●
N/S	Rubber block between battery clamp & battery	C2653	2		●	●	●		
N/S	Rubber block between battery clamp & battery	C14530/1	4						●
N/S	Battery clamp rod	C2649	2		●				
18	Battery clamp rod	C4561	2				●	●	
N/S	Battery clamp rod	C14528	4						●
19	Wing nut for battery clamp rod	C12734	A/R						●
N/S	Double coil washer on battery clamp rod	FG204/X	2		●	●	●		
N/S	Double coil washer on battery clamp rod	FG205/X	1						●
N/S	Felt for battery mounting	C4581	A/R				●	●	
N/S	Felt for battery mounting	C14531	A/R						●
20	Battery tray	C13690	1						●
N/S	Battery tray	C14527	2						●
N/S	Drain tube for battery tray	C10640/1	1						●

BODY FITTINGS
FIG.9



UK
BRIDGNORTH
+44 (0) 1746 765 432
sales.uk@sngbarratt.com

USA
MANCHESTER, NH
+1 800 452 4787 (toll free)
sales.usa@sngbarratt.com

HOLLAND
OISTERWIJK
+31 (0) 13 521 1552
sales.nl@sngbarratt.com

FRANCE
CHARNAY-LÈS-MÂCOI
+33 (0) 3 85 20 14 20
sales.fr@sngbarratt.com

FIG.10 DRUM BRAKES

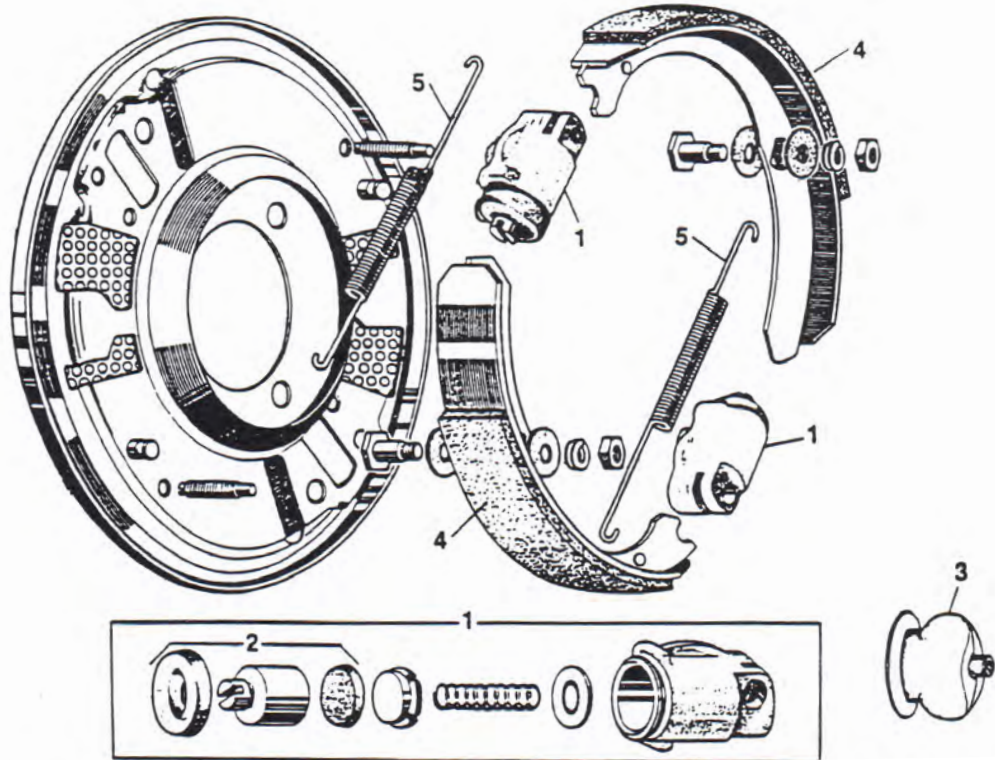
#	DESCRIPTION	PART#	REQ.	KIT	MODELS					
					Mk4	Mk5	Mk7	Mk8	Mk9	
↓ FRONT DRUM BRAKES										
N/S	Wheel cylinder RH (to Chas. no. 527120 & 627776)	H2736	2		●					
N/S	Wheel cylinder RH (from Chas. no.527121 & 627777)	H3151	2		●					
N/S	Wheel cylinder LH (to Chas. no. 527120 & 627776)	H2737	2		●					
N/S	Wheel cylinder LH (from Chas. no.527121 & 627777)	H3150	2		●					
1	Wheel cylinder RH	5860	2			●	●			
N/S	Wheel cylinder RH	5859	2			●	●			
N/S	Wheel cylinder service kit (to Chas. no. 527120 & 627776)	SP1220	1		●					
N/S	Wheel cylinder service kit (from Chas. no. 527121 & 627777)	SP2046	1		●					
2	Wheel cylinder service kit	SP2051	1			●	●			
N/S	Bleed screw (to Chas. no. 527120 & 627776)	C3908	4		●					
N/S	Bleed screw, including ball (from Chas. no.527121 & 627777)	6911	4		●					
N/S	Bleed screw (to Chas. no.730098)	C3908	4			●				
N/S	Bleed screw, including ball (from Chas. no.730099)	6911	4			●	●			
N/S	Bleed screw ball for part no. 6911 screw	5685	1		●	●	●			
N/S	Dust cap for part no. 6911 screw	1675	1		●	●	●			
3	Brake rod dust cover	GB34059	2		●					
N/S	Air scoop stone guard	C3527	2		●					
4	Friction linings (One axle set)	BP1020	1		●					
N/S	Friction linings (One axle set)	BP1021	1			●	●			
N/S	Brake shoe pull-off spring (to Chas. no. 527120 & 627776)	GB36802	4		●					
N/S	Brake shoe pull-off spring (from Chas. no.527121 & 627777)	GB40631	4		●					
5	Brake shoe pull-off spring	2510	4			●	●			
↓ REAR DRUM BRAKES										
N/S	Wheel cylinder RH (to Chas. no. 527120 & 627776)	H2537	1		●					
N/S	Wheel cylinder RH (from Chas. no.527121 & 627777)	H3153	1		●					
N/S	Wheel cylinder LH (to Chas. no. 527120 & 627776)	H2536	1		●					
N/S	Wheel cylinder LH (from Chas. no.527121 & 627777)	H3152	1		●					
6	Wheel cylinder RH	1881	1			●	●			
N/S	Wheel cylinder RH	1880	1			●	●			
N/S	Wheel cylinder service kit (to Chas. no. 527120 & 627776)	SP2062	1		●					
N/S	Wheel cylinder service kit (from Chas. no. 527121 & 627777)	SP2015	1		●					
7	Wheel cylinder service kit	SP2003	1			●	●			
N/S	Spreader in seal	H1483	1		●					
N/S	Bleed screw (to Chas. no. 527120 & 627776)	H1995	2		●					
N/S	Bleed screw, including ball (from Chas. no.527121 & 627777)	6911	2		●	●	●			
N/S	Bleed screw ball for part no. 6911 screw	5685	1		●	●	●			
9	Dust cap for part no. 6911 screw	1675	1		●	●	●			
10	Brake rod dust cover	GB17602	2		●					
11	Friction linings (One axle set)	BP1021	1		●					
N/S	Friction linings (One axle set)	BP1022	1			●				
N/S	Brake shoe pull-off spring (to Chas. no. 527120 & 627776)	GB34796	4		●					
N/S	Brake shoe pull-off spring (to Chas. no. 527121 & 627777)									
N/S	Cylinder side	GB3311	2		●					
N/S	Adjuster side	GB2453	2		●					
N/S	Brake shoe pull-off spring (to Chas. no.738835)									
N/S	Cylinder side	2515	2			●				
N/S	Adjuster side	2480	2			●				
N/S	Brake shoe pull-off spring (From Chas. no.738836)									
12	Cylinder side	6169	2			●				
13	Adjuster side	2480	2			●				
N/S	Brake shoe pull-off spring, cylinder side	6169	2						●	
N/S	Brake shoe pull-off spring, adjuster side	2480	2						●	



DRUM BRAKES

FIG.10

FRONT



REAR

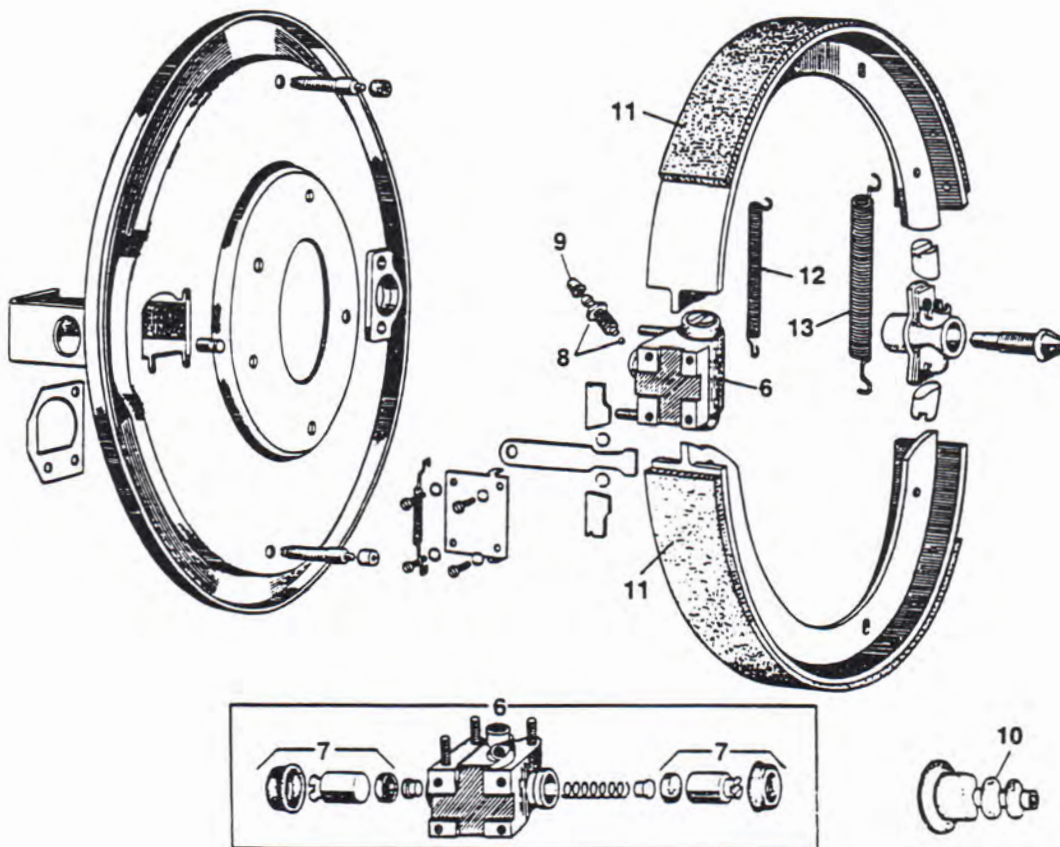
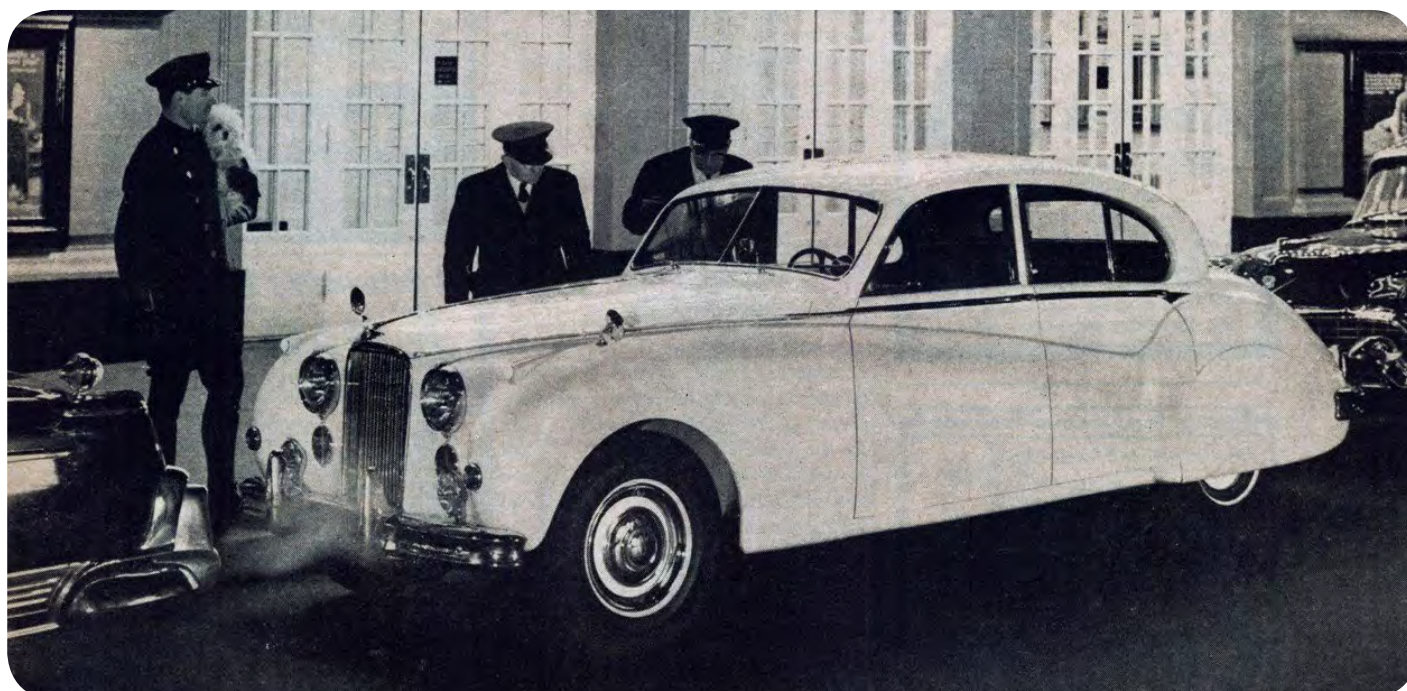


FIG.11 DISC BRAKES

#	DESCRIPTION	PART#	REQ.	KIT	MODELS				
					MK4	MK5	MK7	MK8	MK9
↓ FRONT CALIPERS									
1	Piston & cylinder assembly	7785/86	2						●
2	Cylinder repair kit (Includes all rubber seals for one axle)	SP2561	1						●
3	Cylinder mounting bolt	7791	8						●
4	Bridge pipe, RH	7792	1						●
N/S	Bridge pipe, LH	7793	1						●
5	Bleed screw and ball	6911	2						●
N/S	Dust cap for bleed screw	1675	2						●
6	Brake pad retaining plate	7789	2						●
7	Brake pad stop plate	7788	2						●
8	Caliper mounting shim, size 0.005"	C13196	A/R						●
N/S	Caliper mounting shim, size 0.020"	C13197	A/R						●
9	Brake disc	C14454	2						●
10	Friction pads (set of 4)	BP1016	1						●
↓ REAR CALIPERS									
11	Piston & cylinder assembly	7820/21	2						●
12	Cylinder repair kit (Includes all rubber seals for one axle)	SP2554	1						●
13	Cylinder mounting bolt	7720	8						●
14	Bridge pipe, RH	7783	1						●
N/S	Bridge pipe, LH	7822	1						●
15	Bleed screw & ball	6911	2						●
N/S	Dust cap for bleed screw	1675	2						●
16	Brake pad retaining plate	7719	2						●
17	Brake pad stop plate	7718	2						●
18	Caliper mounting shim, size 0.005"	C13198	A/R						●
N/S	Caliper mounting shim, size 0.020"	C13199	A/R						●
N/S	Caliper mounting shim, size 0.040"	C13194	A/R						●
19	Brake disc	C14710	2						●
↓ FRICTION PADS (SET OF 4)									
20	Organic	BP1011	1						●
20	Semi-metallic (dustless)	BP1005	1						●

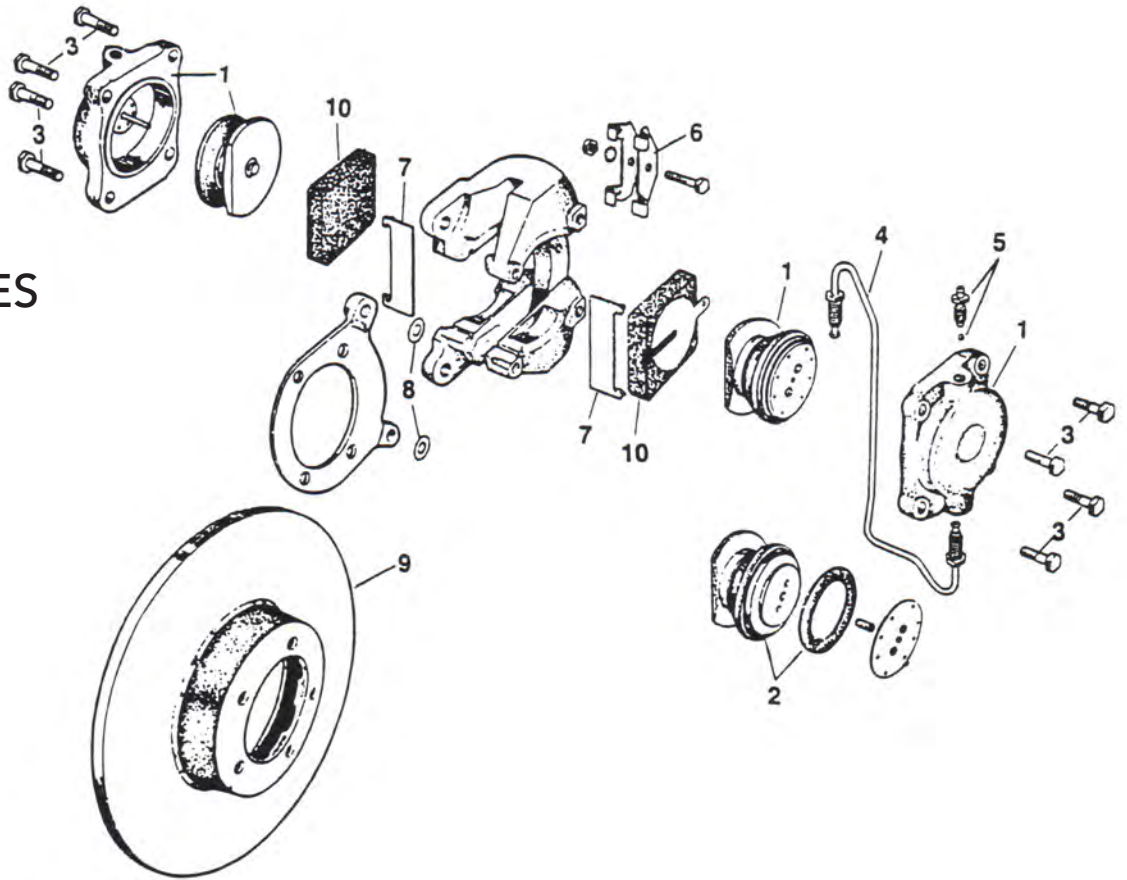




DISC BRAKES

FIG.11

FRONT



REAR

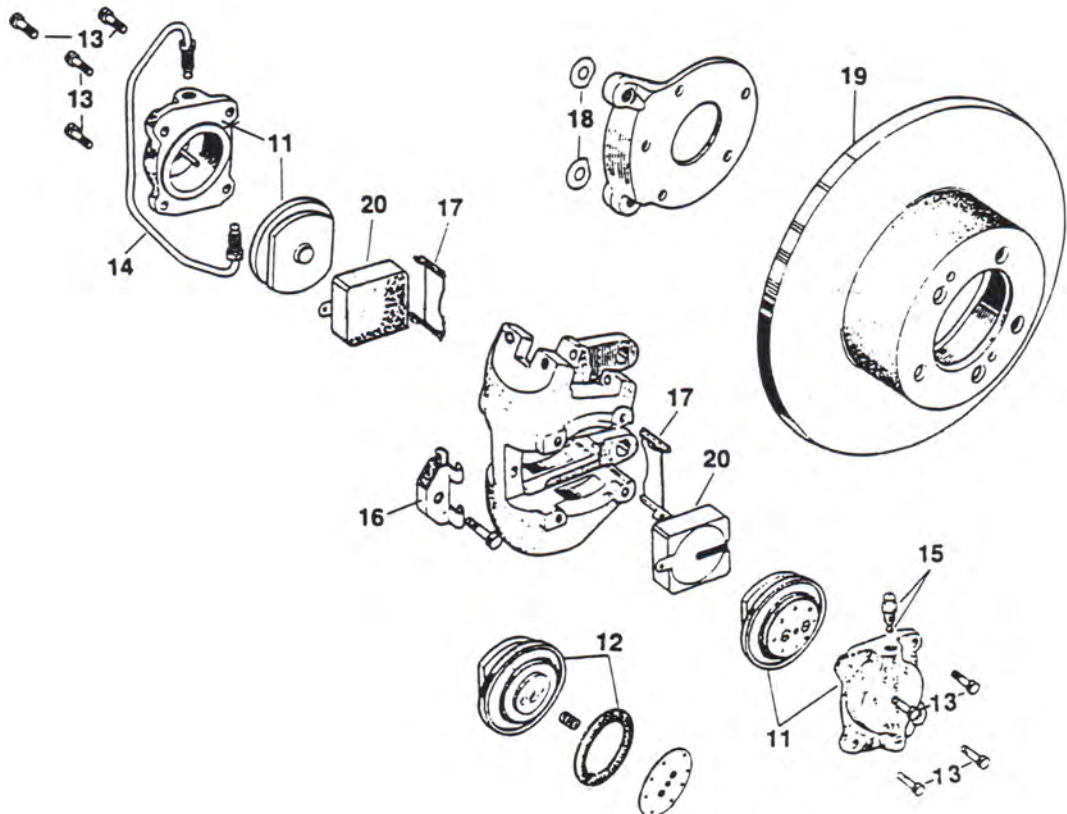


FIG.12 BRAKE CONTROLS

#	DESCRIPTION	PART#	REQ.	KIT	MODELS					
					Mk4	Mk5	Mk7	Mk8	Mk9	
↓ BRAKE CONTROLS										
N/S	Brake master cylinder	C3632	1		•					
1	Brake master cylinder (Manual)	C4735	1			•	•			
N/S	Brake master cylinder (Automatic)	C6873	1			•	•			
2	Brake master cylinder	C16471	1					•		
N/S	Repair kit for master cylinder (Includes all rubber components)	SP1974	1		•					
3	Repair kit for master cylinder (Includes all rubber components)	SP1975	1			•	•			
4	Repair kit for master cylinder (Includes all rubber components)	SP2590	1					•		
VACUUM SERVO ASSEMBLY										
5	Rebuilt unit	C4824/R	1			•	•			
6	Rebuilt unit	C19612/RB	1					•		
N/S	New unit	C19612	1					•		
N/S	Replacement unit	C19612/R	1					•		
SERVO REPAIR COMPONENTS										
N/S	Servo hydraulic cylinder, complete	3613	1			•	•			
N/S	Servo hydraulic cylinder, repair kit	C4824/K	1			•	•			
N/S	Vacuum chamber repair kit	LKL72565	1					•		
N/S	Hydraulic cylinder repair kit	LKL72548	1					•		
N/S	Air valve cover and repair kit	LKL72551	1					•		
↓ MISCELLANEOUS										
7	Vacuum reservoir	C24910	1					•		
8	Check valve on vacuum reservoir	C27106	1					•		
9	Brake pedal return spring	C3317	1		•			•		
N/S	Brake pedal return spring	C4801	1			•	•	•		
10	Roller bearing in pedal boss	C3223	1		•	•	•	•		
11	Sleeve in roller bearing	C3224	1		•	•	•	•		
BRAKE PEDAL RUBBER PAD										
12	Manual transmission	792	1		•	•	•			
N/S	Manual transmission	C8969	1					•		
N/S	Automatic transmission	C6876				•	•	•		
13	Draft excluder for pedal stem	C4036	1		•					
N/S	Draft excluder for pedal stem	C4991	1			•	•			
N/S	Draft excluder felt	BD10536	1					•		
N/S	Retaining plate for felt excluder	BD10538	1					•		
N/S	Servo breather hose	C14828	1					•		
↓ BRAKE FLUID RESERVOIR										
14	Glass brake reservoir	C3540	1		•	•	•			
15	Cover Gasket for glass reservoir	1282	1		•	•	•			
16	Glass jar only	C3609	1		•	•	•			
17	Reservoir cap	1146	1		•	•	•			
18	Reservoir & level indicator assembly	C23638	1					•		
19	Filler cap & level indicator only	C23632	1					•		
20	Clip securing reservoir	C23497	1					•		
↓ HOSES & FITTINGS										
N/S	High pressure flexi-hose									
N/S	Front	H2800/K	2		•					
21	Front RH	C14618	1			•	•	•		
N/S	Front LH	JLM9702	1			•	•	•		
N/S	Rear	H1222/E	1		•					
22	Rear		1			•	•	•		
23	Low pressure hose, reservoir to master cylinder (10" length)	BR1014	1		•	•	•	•		
24	Cloth braided vacuum hose, per foot	BR1010				•	•	•		
↓ UNIONS										
N/S	Front 3 way union	C3922	1		•					
N/S	Front 3 way union	C14635	1			•	•	•		

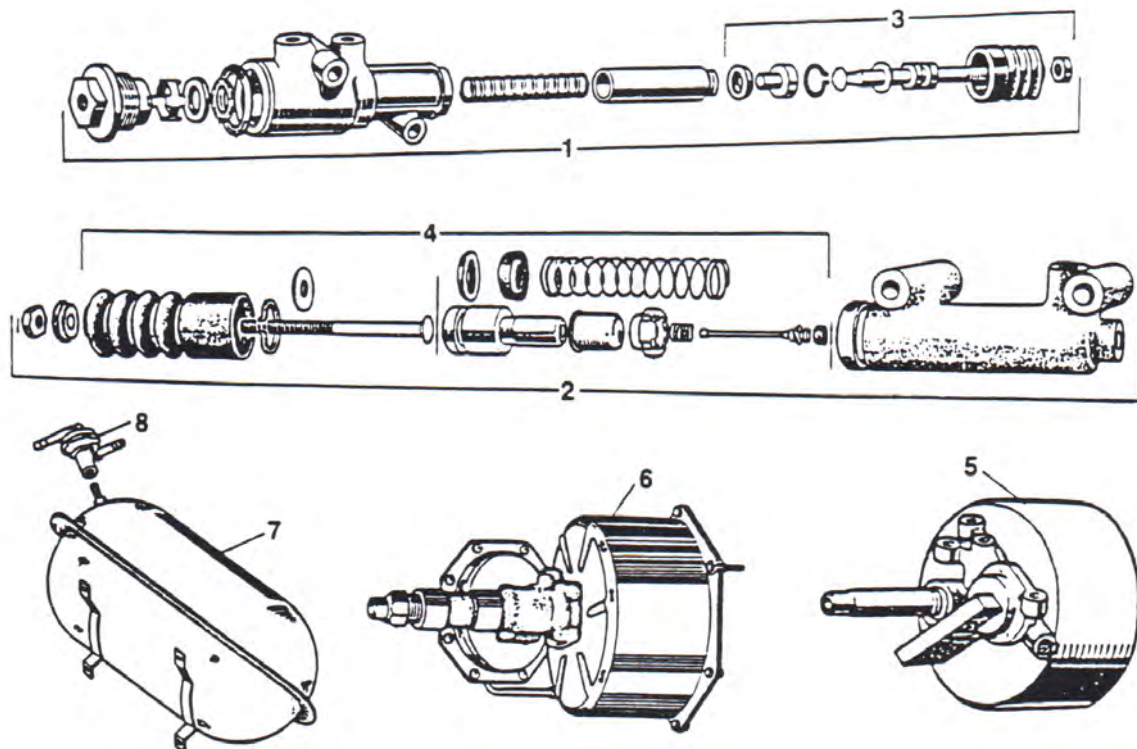


FIG.12 BRAKE CONTROLS

#	DESCRIPTION	PART#	REQ.	KIT	MK4	MK5	MK7	MK8	MK9
N/S	Rear 3 way union	H1043	1		●				
N/S	Rear 3 way union	C5038	1				●	●	
N/S	Rear 3 way union	C13189	1						●
N/S	Servo banjo fittings								
N/S	90 degree angle	C5039	1				●	●	
N/S	Straight	C5033					●	●	
N/S	Straight	C14630	1						●
N/S	Banjo bolt on servo fitting	C50334	2				●	●	
N/S	Banjo bolt on servo fitting	C14631	1						●
↓ COPPER WASHERS									
N/S	Copper washer for rear flexi-hose	C3556	1		●				
N/S	Copper washer for rear flexi-hose	C11239	1				●	●	●
N/S	Copper washer for servo banjo fittings, large	C14623	2				●	●	●
N/S	Copper washer for servo banjo fittings, small	C3556	2				●	●	
N/S	Copper washer for servo banjo fittings	C11239	2						●
25	Brake pipe clip	C3529	10		●				
N/S	Brake pipe clip	C5050	1				●		
26	Brake pipe clip	C5023	11				●	●	
N/S	Brake pipe clip	C5023	12						●
N/S	Brake pipe clip on rear axle	C7860	A/R				●	●	●
↓ BRAKE PIPE END FITTINGS									
N/S	Male flare	BR1004	A/R		●				
N/S	Male flare	BR1007	A/R				●	●	●
N/S	Female flare	BR1005	A/R		●				
N/S	Female flare	BR1006	A/R				●	●	●
N/S	Male flare union	BR13187	A/R				●	●	●
N/S	Female flare union	BR1009	A/R				●	●	●

BRAKE CONTROLS

FIG.12



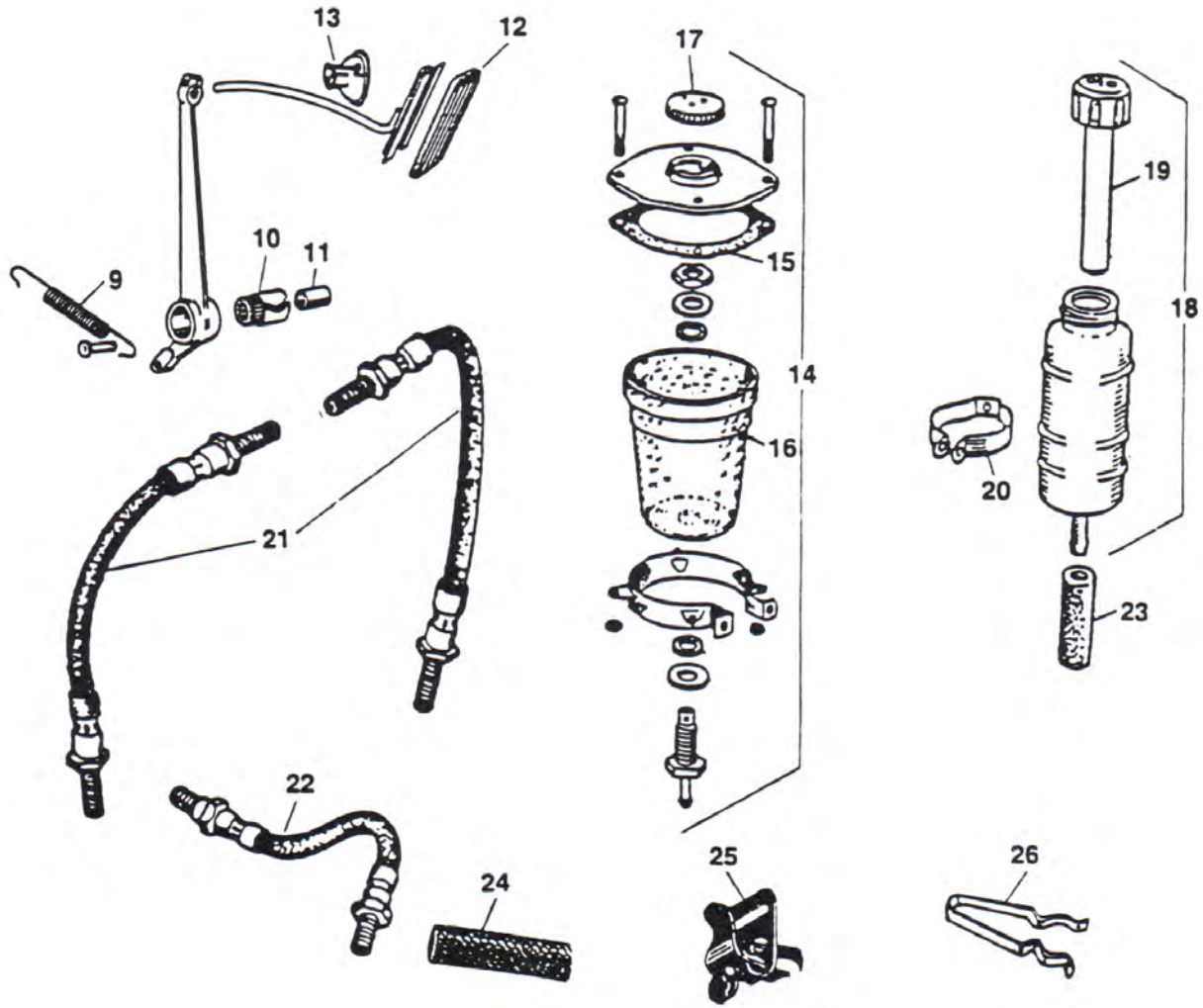


FIG.13 HANDBRAKE MECHANISM

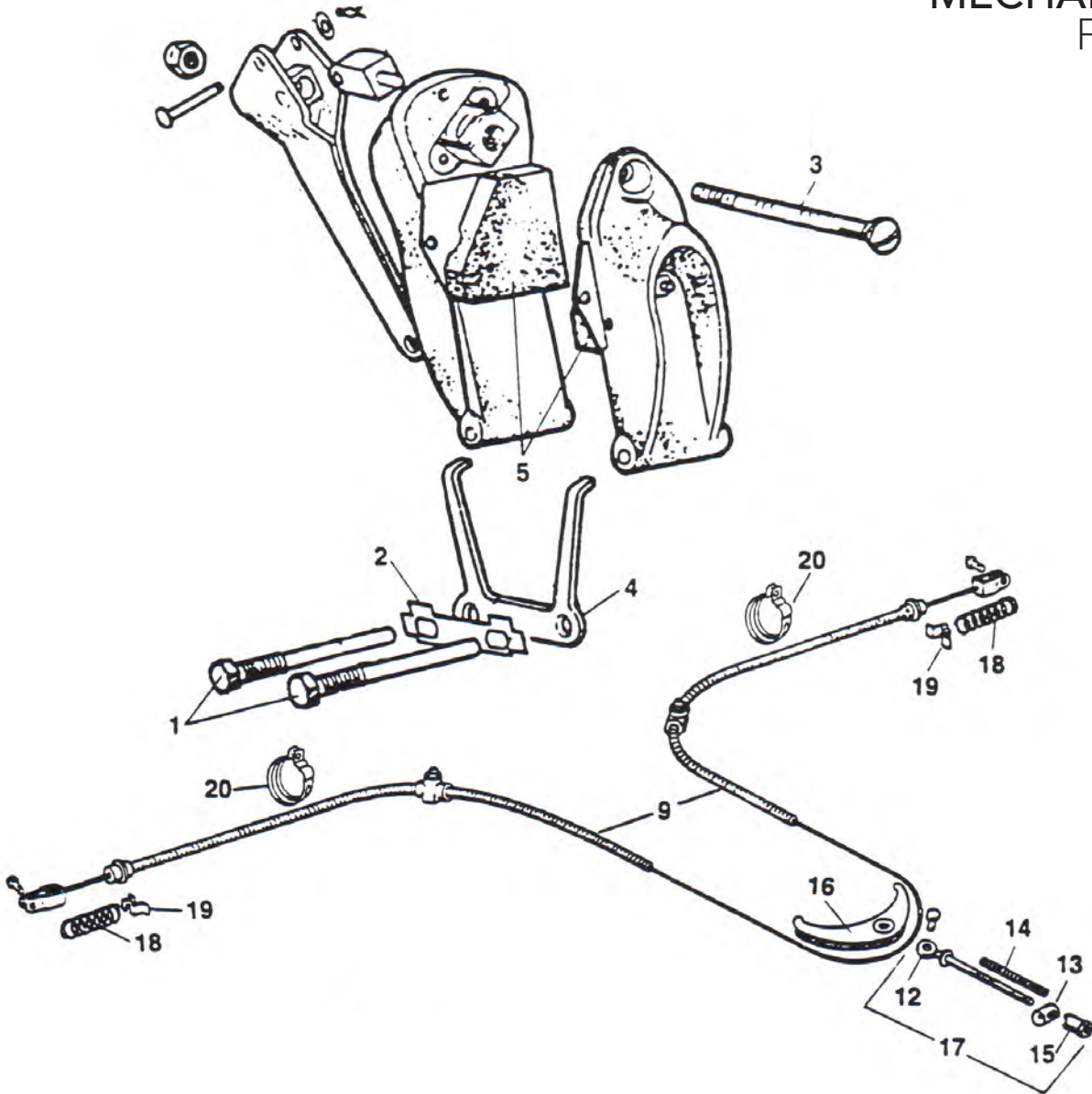
#	DESCRIPTION	PART#	REQ.	KIT	MODELS					
					Mk4	Mk5	Mk7	Mk8	Mk9	
↓ HANDBRAKE MECHANISM										
1	Caliper mounting bolt (to Chas. no. 791444)	6925	4						●	
N/S	Caliper mounting bolt (from Chas. no. 791445)	8016	4						●	
2	Tab plate under mounting bolts (to Chas. no. 791444)	6932	2						●	
N/S	Tab plate under mounting bolts (from Chas. no. 791445)	8014	2						●	
3	Adjuster bolt through calipers	6927	1						●	
4	Handbrake retraction plate	8017	2						●	
5	Friction pads, early (set of 4)	BP1009	1						●	
N/S	Friction pads, late (set of 4)	BP1008	1						●	
6	Handbrake lever assembly	C7007	1				●	●		
N/S	Handbrake lever assembly (to chassis no. 792316)	C7007	1						●	
↓ HANDBRAKE CABLES										
N/S	Front cable (to Chas. no. 547008, 647247, 52172 & 628394)	C3519	1			●				
N/S	Front cable (from Chas. no. 547009, 647248, 52173 & 628395)	C4799	1			●				
N/S	Front cable (to 792094)	C6998	1						●	
7	Front cable (from 792095)	C16122	1						●	
N/S	Intermediate cable (to Chas. no.792094)	C15857	1						●	
8	Intermediate cable (from Chas. no.792095)	C16123	1						●	
N/S	Rear cable	C4022	1			●				
9	Rear cable	C4930	1				●	●		
10	Rear cable, RH	C15855	1						●	

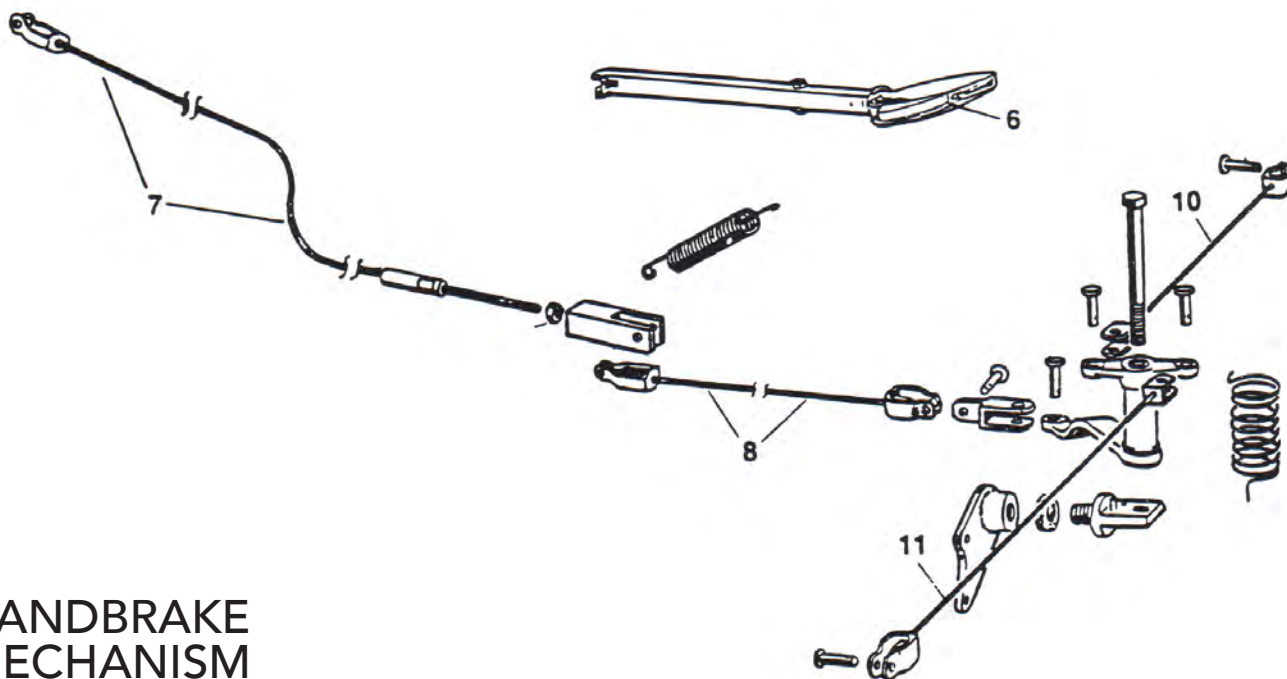


FIG.13 HANDBRAKE MECHANISM

#	DESCRIPTION	PART#	REQ.	KIT	MODELS				
					Mk4	Mk5	Mk7	Mk8	Mk9
11	Rear cable, LH	C15856	1						●
↓ ADJUSTER COMPONENTS									
12	Rod	C3322	1			●	●		
13	Trunnion	C5180	1			●	●		
14	Spring	C3264	1			●	●		
15	Barrel nut	C3266	1			●	●		
16	Compensator	C3274/1	1			●	●		
17	Adjuster kit: Includes rod, trunnion, spring & barrel nut	C3322/K	1			●			
↓ MISCELLANEOUS									
18	Return spring for handbrake cable at rear backing plates	C5066	2			●	●		
19	Retainer for handbrake return springs	C5067	2			●	●		
20	Clip securing handbrake cable to rear axle	C3617	2		●	●			

HANDBRAKE MECHANISM
FIG.13





HANDBRAKE MECHANISM
FIG.13

FIG.14 EXTERIOR CHROME

#	DESCRIPTION	PART#	REQ.	KIT	MODELS				
					Mk4	Mk5	Mk7	Mk8	Mk9
↓ BODY FINISHERS									
N/S	Finisher joining front wings in front of grille	1745	1		●				
1	Finisher joining front wings in front of grille	BD2200	1			●			
2	Headlamp pod spear	BD2561	2			●			
N/S	Cowl finishers (one pair)	BD133/4	1		●				
3	Cowl finishers (one pair)	BD1978/9	1			●			
N/S	B/C post finisher Saloon)	BD143	1		●				
4	B/C post finisher Saloon)	BD1977	1			●			
Rear body spear									
N/S	Saloon, RH	BD132	1		●				
N/S	Saloon, LH	BD131	1		●				
5	Saloon, RH	BD1972	1			●			
	Saloon, LH	BD1971	1			●			
6	DHC, RH	BD2508	1			●			
N/S	DHC, LH	BD2507	1			●			
7	L-finishers on spare wheel door (one pair)	BD2153/4	1			●			
8	Straight finishers between L-finishers	BD2152	1			●			
↓ MISCELLANEOUS EXTERIOR CHROME									
N/S	Radiator cap	252	1		●	●			
9	Bonnet hinge support, front	1524	1		●	●			
N/S	Bonnet hinge support, rear	1524	1		●				
N/S	Bonnet hinge support, rear	BD1953	1			●			
N/S	Bonnet locking knob	BD2529	4		●				
10	Dovetail striker on DHC door jamb, RH	2311/1	1		●	●			
N/S	Dovetail striker on DHC door jamb, LH	2310/1	1		●	●			
11	Budget lock escutcheon on spare wheel door	2312	2		●	●			
12	Budget lock escutcheon on rear wheel spats	BD2551	2			●			
N/S	Hexagon nut securing J plaque on rear bumper	C1989	1		●				



FIG.14 EXTERIOR CHROME

#	DESCRIPTION	PART#	REQ.	KIT	MODELS				
					Mk4	Mk5	Mk7	Mk8	Mk9
13	Fuel flap lock	BD4360	1		●				
14	Running board channel kit	CR1021	1		●				
15	Running board outer finisher kit	BD2247	2			●			
16	Running board centre finisher	BD2250	2			●			
N/S	Bonnet catch, including knob	1376	4		●				
N/S	Starting handle guide (behind front bumper)	1404	1		●				
N/S	Starting handle guide (behind front bumper)	BD2126	1			●			
N/S	Rear bumper bolt	C1021	2		●				
N/S	'Reflecta-stud' rear bumper reflector	C1020	2		●				
	↓ EXTERIOR HANDLES								
N/S	Exterior door handle								
N/S	Saloon front, locking RH	BD1178	1		●				
N/S	Saloon front, non-locking LH	BD1177	1		●				
17	Saloon front, non-locking RH	BD2224	1			●			
N/S	Saloon front, locking LH	BD2225	1			●			
N/S	Saloon rear, non-locking RH	BD10	1		●				
N/S	Saloon rear, non-locking LH	BD9	1		●				
18	Saloon rear, non-locking RH	BD2241	1			●			
N/S	Saloon rear, non-locking LH	BD2240	1			●			
19	DHC, Locking	BD4058	1		●	●			
N/S	DHC, non-locking	BD4057	1		●	●			
N/S	DHC Locking barrel & key	BD1834	2		●	●			
20	Boot lid handle assembly	BD603	1		●	●			
	↓ LAMPS								
21	Outer rim without motif	3453	2			●			
22	Upper rim motif	553620/T	2			●			
23	Lower rim motif	553620/B	2			●			
24	Inner rim for 7" sealed beam	5301	2			●			
0	Inner rim for PF770 lamp	552686	2			●			
25	Rim securing screw	5294	2			●			
N/S	Retainer for rim screw	552796/N	2			●			
N/S	Fog lamp outer rim	534494	2			●			
N/S	Headlamp mounting pillar, RH	1738/A	1		●				
N/S	Headlamp mounting pillar, LH	1738/B	1		●				
N/S	Tail/stop lamp rim	572098/R	2			●			
	↓ WHEELS								
26	Hub cap with emblem	C3243	4			●			
27	Beauty ring, snap-in type	CR1011	4			●			
N/S	Beauty ring, stainless steel 'Ace' type (set of 4)	CR1013	1			●			
N/S	Wire wheel 'knock off' spinner, RH	C1102	2		●				
N/S	Wire wheel 'knock off' spinner, LH	C1103	2		●				
28	Chrome tyre valve caps (set of 4)	C1055	1		●	●			
	↓ CONVERTIBLE TOP CHROME								
N/S	Rear window assembly (DHC)	BD1369	1		●				
29	Rear window assembly (DHC)	BD4094	1			●			
30	Cap on landau iron stud	1870	4			●			
N/S	Distance tube on top stud	2262	2			●			
N/S	Pinbead kit	2066/67	1		●				
31	Pinbead kit	BD3760/61	1			●			
	↓ WIPER/WASHER CHROME								
N/S	Wiper arm	735048	2		●				
32	Wiper arm	737596	2			●			
33	Wiper blade	C11844	2			●			
	↓ ENGINE COMPARTMENT CHROME								
N/S	Cylinder head acorn nut (3.5 litre)	C341	7		●	●			

FIG.14 EXTERIOR CHROME

#	DESCRIPTION	PART#	REQ.	KIT	MODELS				
					MK4	MK5	MK7	MK8	MK9
	Valve cover acorn nut	C412	3		●	●			

MK5 EXTERIOR CHROME
FIG.14

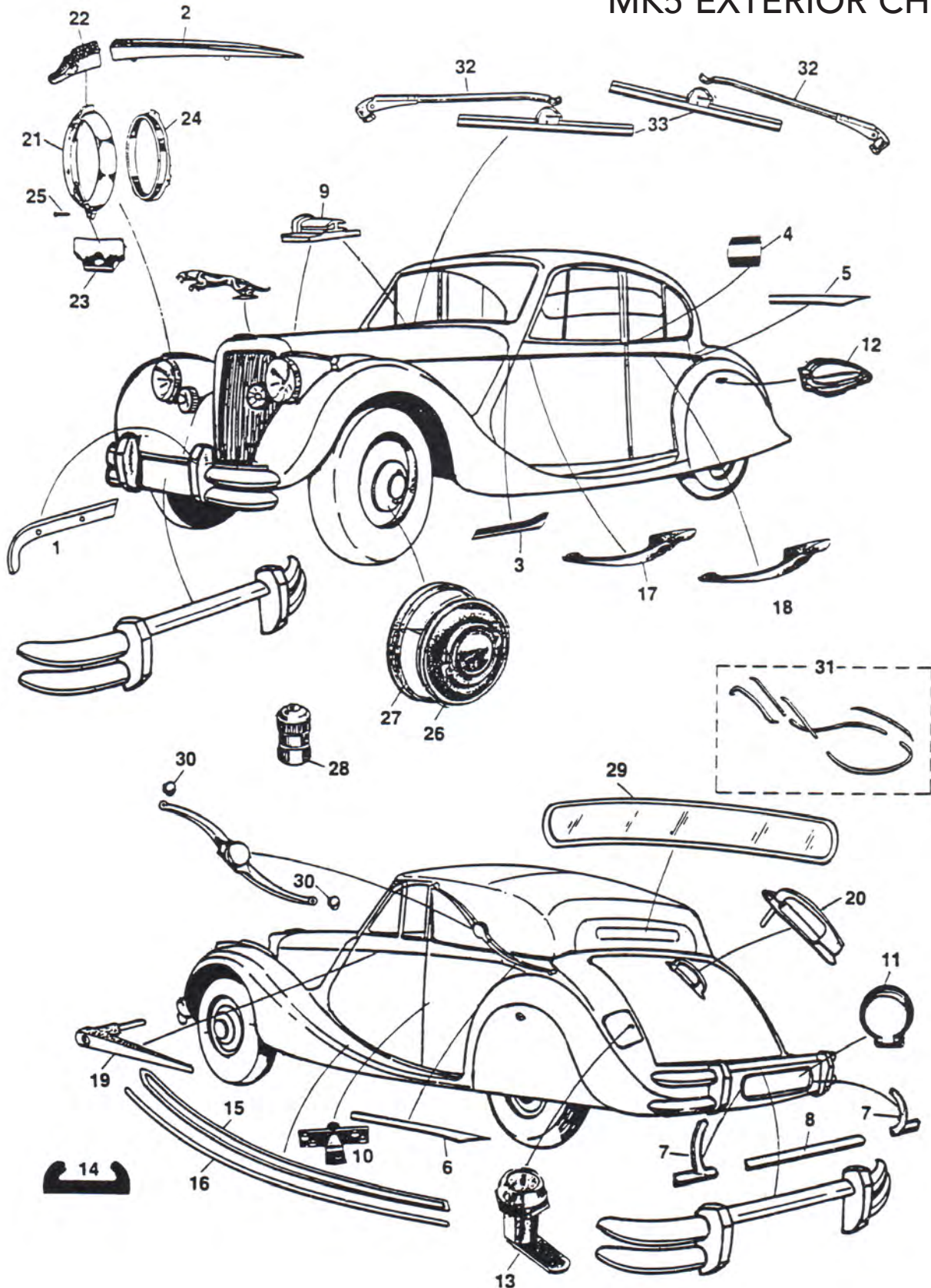




FIG.15 INTERIOR CHROME

#	DESCRIPTION	PART#	REQ.	KIT	MODELS				
					Mk4	Mk5	Mk7	Mk8	Mk9
↓STEERING COLUMN									
1	Indicator switch lever	2879	1		●				
2	Base for horn button	2846	1		●				
3	Stainless steel spring on steering column	C1024	1		●	●			
4	Bottom cup under spring	C3366	1		●	●			
5	Top cup under spring	C3386	1		●	●			
↓INTERIOR HANDLES									
6	Front vent window handle & escutcheon	1723	2		●				
Front vent window catch assembly									
7	DHC, RH(to Chas. no. 54010 & 647398)	BD20087	1		●				
H/S	DHC, LH(to Chas. no. 54010 & 647398)	BD20086	1		●				
H/S	Saloon, RH (to Chas. no. 527120 & 627726)	BD20087	1		●				
H/S	Saloon, LH (to Chas. no. 527120 & 627726)	BD20086	1		●				
7	Saloon, RH Rear vent window catch	BD20087	1		●				
H/S	Saloon, RH Rear vent window catch	BD20086	1		●				
8	Cover for front vent window catch	BD5434	1		●				
↓FRONT VENT WINDOW LEVER									
H/S	DHC, RH (from Chas. no.547011 & 647399)	BD3982	1		●				
H/S	DHC, LH (from Chas. no.547011 & 647399)	BD3981	1		●				
H/S	Saloon, RH (from Chas. no. 527121 & 627727)	BD3982	1		●				
H/S	Saloon, LH (from Chas. no. 527121 & 627727)	BD3981	1		●				
10	Catch plate	BD3991	2		●				
11	Inside door handle, DHC	BD6	2		●	●			
11	Inside door handle, Saloon	BD6	4		●	●			
12	Escutcheon assembly	BD552/1	A/R		●	●			
13	Window winder handle, DHC	BD552	2		●				
14	Window winder handle, DHC	BD2233	2		●				
13	Window winder handle, Saloon	BD552	4		●				
14	Window winder handle, Saloon	BD2233	4		●				
12	Escutcheon assembly	BD552/1	A/R		●	●			
Door locking knob									
H/S	Saloons (to Chas. no.52146 & 627900)	BD2216	2		●				
15	DHC & Saloons, RH (from Chas. no.527147 & 627091)	BD4241	1		●				
H/S	DHC & Saloons, LH (from Chas. no.527147 & 627091)	BD4240	1		●				
16	Sunroof handle (Saloon)	BD2188	1		●	●			
17	Seat elevating handle	BD1826	2		●	●			
18	Knob on header bow (DHC)	BD2529	2		●	●			
↓MISCELLANEOUS INTERIOR CHROME									
18	Scalloped knob locking boot lid stay	BD2529	2		●				
19	Lighting switch lever	C2757/K	1		●				
	Lighting switch lever	CR1040	1		●				
20	Tool compartment hinge (in boot)	BD109	3		●	●			
21	Acorn nut on boot lid stay	C412	2		●				
22	Loop for luggage straps	BD72	4		●	●			
23	Sun visor hinge, Saloon	1377	2		●				
	Sun visor hinge, DHC	1377	2		●				
24	Carpet retainer on sill, Saloon	BD2111/3	4		●				
	Carpet retainer on sill, DHC	BD9935	2		●				
25	Dovetail door latch cover,RH (DHC)	2287	1		●	●			
	Dovetail door latch cover,LH (DHC)	2286	1		●	●			
26	Windscreen clamps (one pair)	269/A/B	1		●				
27	Boot lamp rim	3413	1		●	●			
H/S	Cubby box door hinge	BD573	4		●	●			
H/S	Cantrail arm hinge, RH (DHC)	1845	1		●				
H/S	Cantrail arm hinge, LH (DHC)	1846	1		●				

**MK4 & MK5 INTERIOR
CHROME**
FIG.15

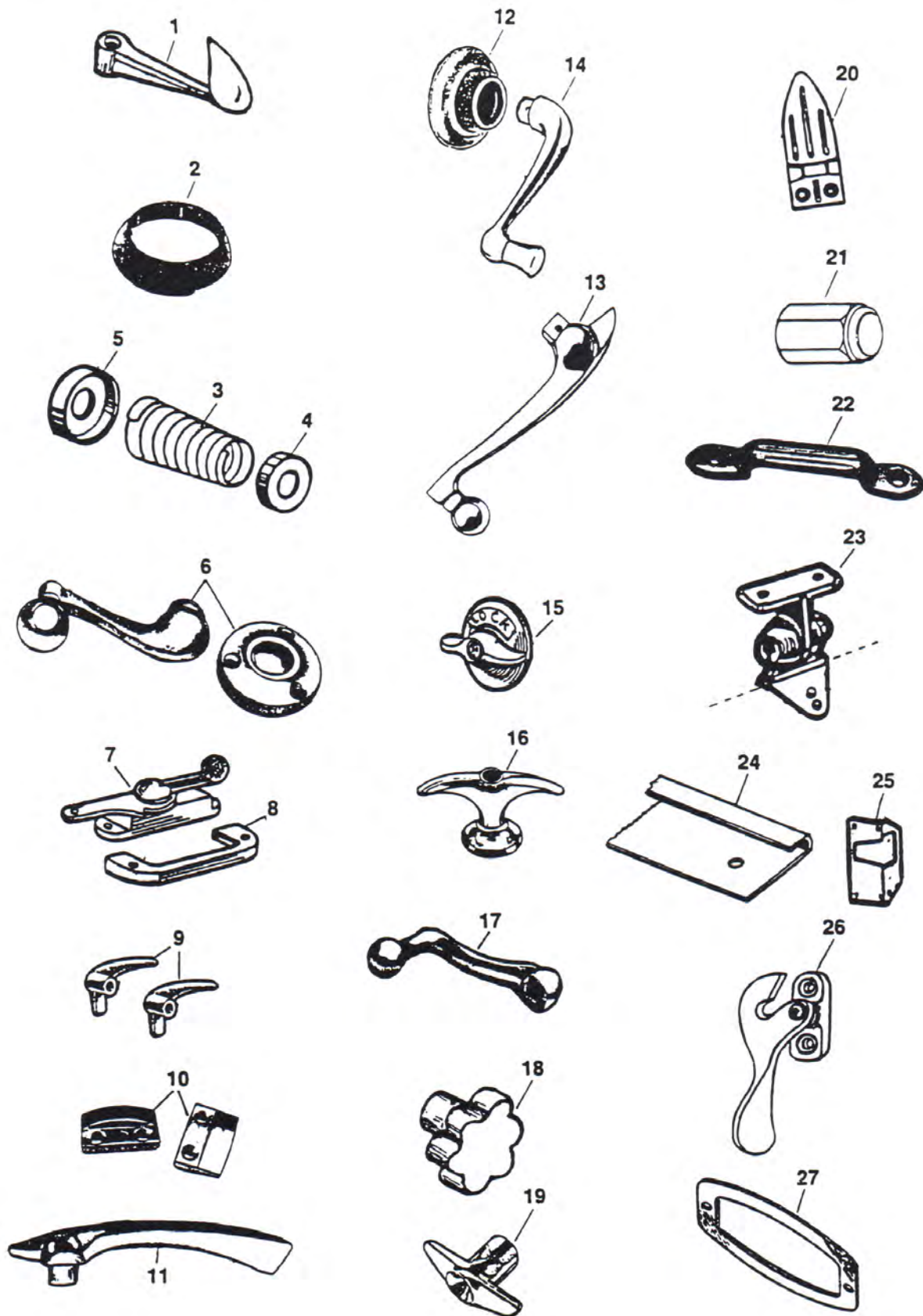


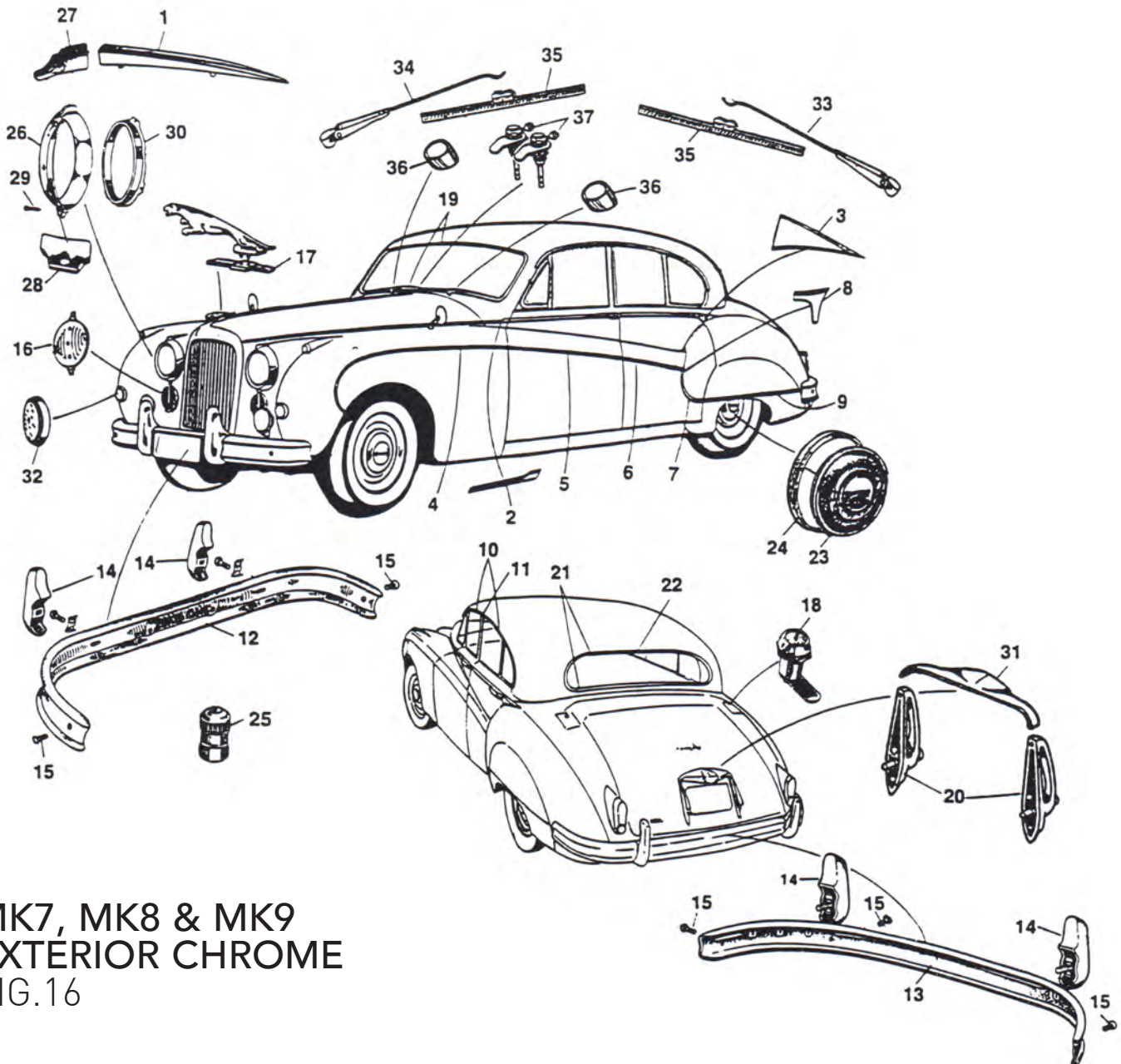


FIG.16 EXTERIOR CHROME

#	DESCRIPTION	PART#	REQ.	KIT	MODELS				
					Mk4	Mk5	Mk7	Mk8	Mk9
↓ BODY FINISHERS									
1	Headlamp pod spear	BD5310	2				●	●	●
2	Cowl finisher, RH	BD4799	1				●	●	●
N/S	Cowl finisher, RH	BD4798	1				●	●	●
3	Rear body spear, RH	BD4802	1				●	●	●
N/S	Rear body spear, LH	BD4801	1				●	●	●
↓ BODY LINE FINISHERS									
4	Front wing, RH	BD12192	1					●	●
N/S	Front wing, LH	BD12191	1					●	●
5	Front door, RH	BD12125	1					●	●
N/S	Front door, LH	BD12124	1					●	●
6	Front of rear door, RH	BD12246	1					●	●
N/S	Front of rear door, LH	BD12245	1					●	●
7	Rear of rear door, RH	BD12248	1					●	●
N/S	Rear of rear door, LH	BD12247	1					●	●
8	Arrow heads, joining FT & RR finishers on rear doors (one pair)	BD12238/39	1					●	●
9	Finishers on rear wheel spats, RH	BD12190	1					●	●
N/S	Finishers on rear wheel spats, RH	BD12189	1					●	●
10	Roof gutter finishers, RH (one pair)	BD12232/99	1					●	●
N/S	Roof gutter finishers, LH (one pair)	BD12231/98	1					●	●
11	Clip joining front & rear roof gutter finishers	BD12300	2					●	●
↓ BUMPERS									
12	Front bumper bar (to Chas. no. 738183)	1511	1					●	
N/S	Front bumper bar (from Chas. no. 738184)	BD9858	1					●	
N/S	Front bumper bar	BD9858	1						● ●
13	Rear bumper bar (to Chas. no. 738183)	1407						●	
N/S	Rear bumper bar (from Chas. no. 738184)	BD9857						●	
N/S	Rear bumper bar	BD9857							● ●
14	Overrider, front & rear (to Chas. no. 738183)	1447	4					●	
N/S	Overrider, front & rear (from Chas. no. 738184)	BD9859	4					●	
N/S	Overrider, front & rear	BD9859	4						● ●
15	Bumper mounting bolt (chromed)	BD9870	4					●	● ●
↓ MISCELLANEOUS EXTERIOR CHROME									
16	Horn grille	BD11461	2					●	● ●
17	Base for leaping cat mascot	BD12253	1						● ●
18	Fuel flap lock	BD4360	2					●	● ●
19	Joining clip for windscreen finishers	BD5366/1	2					●	● ●
20	Boot lid handle assembly	BD4767	2					●	● ●
0	Budget lock escutcheon on rear wheel spats	2312	2					●	
21	Rear window finisher	BD5365	1					●	● ●
22	Joining clip[for rear window finisher	BD5366/1	1					●	● ●
↓ WHEELS									
23	Hub cap, with emblem	C3243	4					●	● ●
24	Beauty ring, snap-in type	CR1011	4					●	● ●
N/S	Beauty ring, Stainless steel 'Ace' type with clips (set of 4)	CR1013	1					●	● ●
25	Chrome tyre valve caps (set of 4)	CR1055	1					●	● ●
↓ HEADLAMPS									
26	Outer rim (without motif)	5299	2					●	● ●
27	Upper rim motif	554903/T	2					●	● ●
28	Lower rim motif	553620/B	2					●	● ●
29	Rim securing screw	5294	2					●	● ●
30	Inner rim for 7" sealed beam	5301	2					●	● ●
N/S	Inner rim for PF770 lamps	552686	2						
↓ LAMPS									
31	Reverse lamp housing	5308	1					●	● ●

FIG.16 EXTERIOR CHROME

#	DESCRIPTION	PART#	REQ.	KIT	MODELS				
					MK4	MK5	MK7	MK8	MK9
32	Flasher lamp rim & lens ↓ WASHER/WIPER CHROME	7767	1				●	●	●
33	Wiper arm, RH	5342	1				●		
34	Wiper arm, LH	5343	1				●		
N/S	Wiper arm	7150	2					●	●
35	Wiper blade	C11844	2				●		
N/S	Wiper blade	6562	2					●	●
36	Wiper spindle finisher	5336	2				●	●	●
N/S	Nut on wiper spindle finisher	5219	2				●	●	●
37	Washer jet	C5473/4	2				●	●	●
	↓ ENGINE COMPARTMENT CHROME								
N/S	Cylinder head acorn nut	C2328	14				●	●	●
N/S	Cam and breather acorn nut	C2327	26				●	●	●
N/S	D-washer under cylinder head nuts	C2385	10				●	●	●
N/S	Spark plug wire clip on cam cover	C4982	1				●	●	●



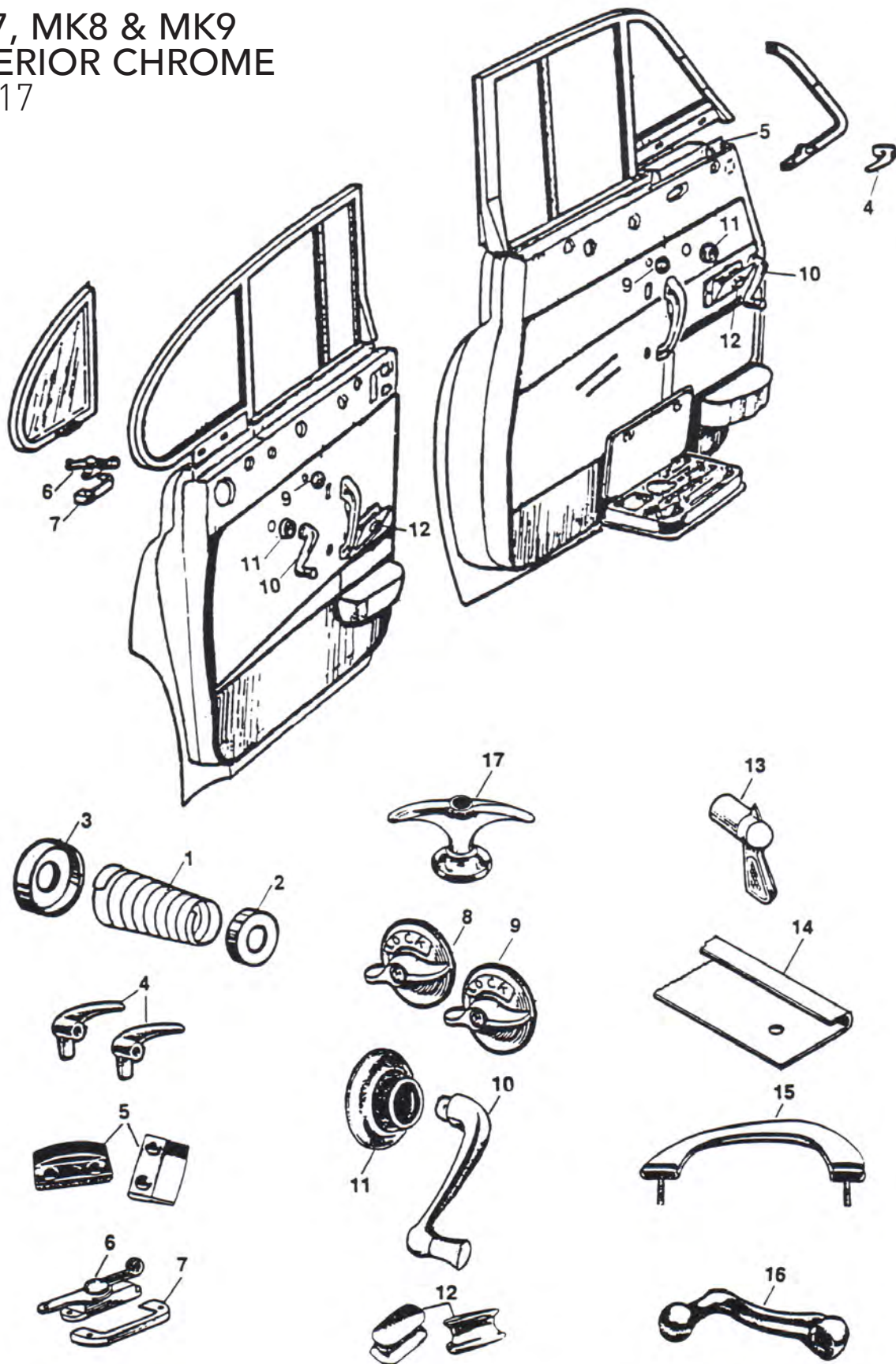
MK7, MK8 & MK9
 EXTERIOR CHROME
 FIG.16



FIG.17 MK7, MK8 & MK9 INTERIOR CHROME

#	DESCRIPTION	PART#	REQ.	KIT	MODELS				
					MK4	MK5	MK7	MK8	MK9
↓ STEERING COLUMN									
1	Spring on steering column (stainless steel)	C1024	1				●	●	●
N/S	Cup under spring								
N/S	Upper & lower	C4457	2				●	●	
N/S	Lower	C4458	1				●	●	
2	Lower	C3366	1						●
3	Upper & lower	C8576	1						●
↓ INTERIOR - DOORS									
4	RH Front vent window lever	BD3982	1				●	●	●
N/S	LH Front vent window lever	BD3981	1				●	●	●
5	Catch plate	BD3991	2				●	●	●
6	RH Rear vent window catch	BD20087					●	●	●
N/S	LH Rear vent window catch	BD20086	1				●	●	●
7	Cover for rear vent window catch	BD5434	1				●	●	●
8	RH door locking knob	BD4241	2				●	●	●
9	LH door locking knob	BD4240	2				●	●	●
10	Window winder handle	BD22333	4				●	●	●
11	Escutcheon behind window winder handle	BD552/1	4				●	●	●
12	Ashtray knob	BD12437	4					●	●
↓ MISCELLANEOUS INTERIOR CHROME									
13	Lighting switch lever	C4618	1				●	●	●
14	Carpet retainer on sill								
14	Front	BD5819	2				●	●	●
14	Rear	BD5820	2				●	●	●
15	Dash grab handle	BD13548	1				●	●	●
16	Seat elevating handle	BD1826	2				●	●	●
17	Sunroof handle	BD2188	1				●	●	●
N/S	Hinge for cubby box door	BD573	4					●	●
N/S	Handle for cubby box door	BD12326	2					●	●
N/S	Support for cubby box door	BD12735	2					●	●

MK7, MK8 & MK9
INTERIOR CHROME
FIG.17



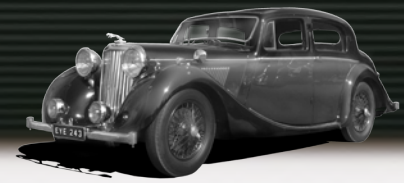


FIG.18 CLUTCH ASSEMBLY

#	DESCRIPTION	PART#	REQ.	KIT	MODELS					
					Mk4	Mk5	Mk7	Mk8	Mk9	
↓ CLUTCH ASSEMBLY										
1	Pressure plate	ENC101	1	Y	●	●	●	●	●	
2	Flywheel dowel	C1782	2		●	●	●	●	●	
3	Clutch disc	ENC102	1	Y	●	●	●	●	●	
4	Clutch release bearing	ENC104	1	Y	●	●	●	●	●	
5	Retaining clip for release bearing	C22479	2		●	●	●	●	●	
N/S	Clutch kit: Includes pressure plate, clutch disc & release bearing	ENC101/K	1		●	●	●	●	●	
6	Spigot bush in rear of crankshaft	C2226	1		●	●	●	●	●	
↓ CLUTCH OPERATING ASSEMBLY										
7	Clutch release fork	C9780	1		●	●	●	●	●	
8	Clutch operating shaft	C1748	1		●					
N/S	Clutch operating shaft	C3293	1			●				
N/S	Clutch operating shaft	C2429	1				●			
N/S	Clutch operating shaft (to Engine no. N7150)	C2429	1				●			
N/S	Clutch operating shaft (from Engine no. N7151 & NA1001)	C2429	1				●	●		
9	Pin securing release fork & operating lever	C586	2		●	●				
N/S	Pin for release fork & operating lever (to eng. no. N7150)	C586	2				●			
N/S	Pin for release fork & operating lever (from eng. no. N7151 & NA1001)	C13055	2				●			
10	Bush in bell housing for operating shaft	C584	2		●	●	●	●	●	
11	Pedal shaft	C3254	1			●				
12	Woodruff key	C757	1			●				
13	Roller bearing in clutch pedal	C3223	1				●	●	●	
14	Sleeve for roller bearing	C3224	1				●	●	●	
15	Spherical bearing for pedal shaft	C3255	2			●				
16	Housing on gearbox for spherical bearing	C3267	1			●				
17	Rubber boot on housing	C3323	1			●				
18	Trunnion in operating lever	C5180	1		●	●	●	●		
19	Eye bolt for clutch adjustment	C3284	1		●					
20	Brass barrel nut on eye bolt	C3266	1		●					
21	Adjusting nut on slave cylinder push rod	C3266	1				●	●	●	
22	Slave cylinder push rod	5856	1				●	●	●	
23	Lever on clutch pedal shaft	C3260	1			●				
24	Washer on clutch shaft (on either side of spring)	C3295	2			●				
25	Washer on clutch pedal shaft (adjacent to spherical bearing)	C2420	1			●				
26	Lever on clutch pedal shaft	C2483	1		●	●	●	●		
27	Lower cover for bell housing	C41664	1		●	●	●	●		
28	Sealing ring, large	C3258	1		●					
29	Sealing ring, small	C3257	1		●					
30	Clutch pedal pad	792	1		●					
31	Clutch pedal pad	C8969	1				●	●	●	
32	Clutch pedal stem draft excluder	C4036	1		●					
↓ SPRINGS										
33	Clutch fork return spring	C5120	1				●	●	●	
34	Clutch pedal return spring	C3318	1			●				
35	Clutch pedal return spring	C4081	1				●	●	●	
36	Anchor plate for lever return spring	C5178	1				●	●	●	
37	Spring on clutch pedal shaft	C3256	1			●				
38	Spring under clutch adjustment nut	C3264	1			●				
39	Spring under clutch adjustment nut	C4165	1				●	●	●	
40	Spring in spherical bearing housing	C3321	1			●				
↓ CLUTCH HYDRAULICS										
Operating cylinders										
41	Master cylinder	C5166	1				●	●		
N/S	Master cylinder	C16552	1						●	
42	Slave cylinder	C5165	1				●	●	●	

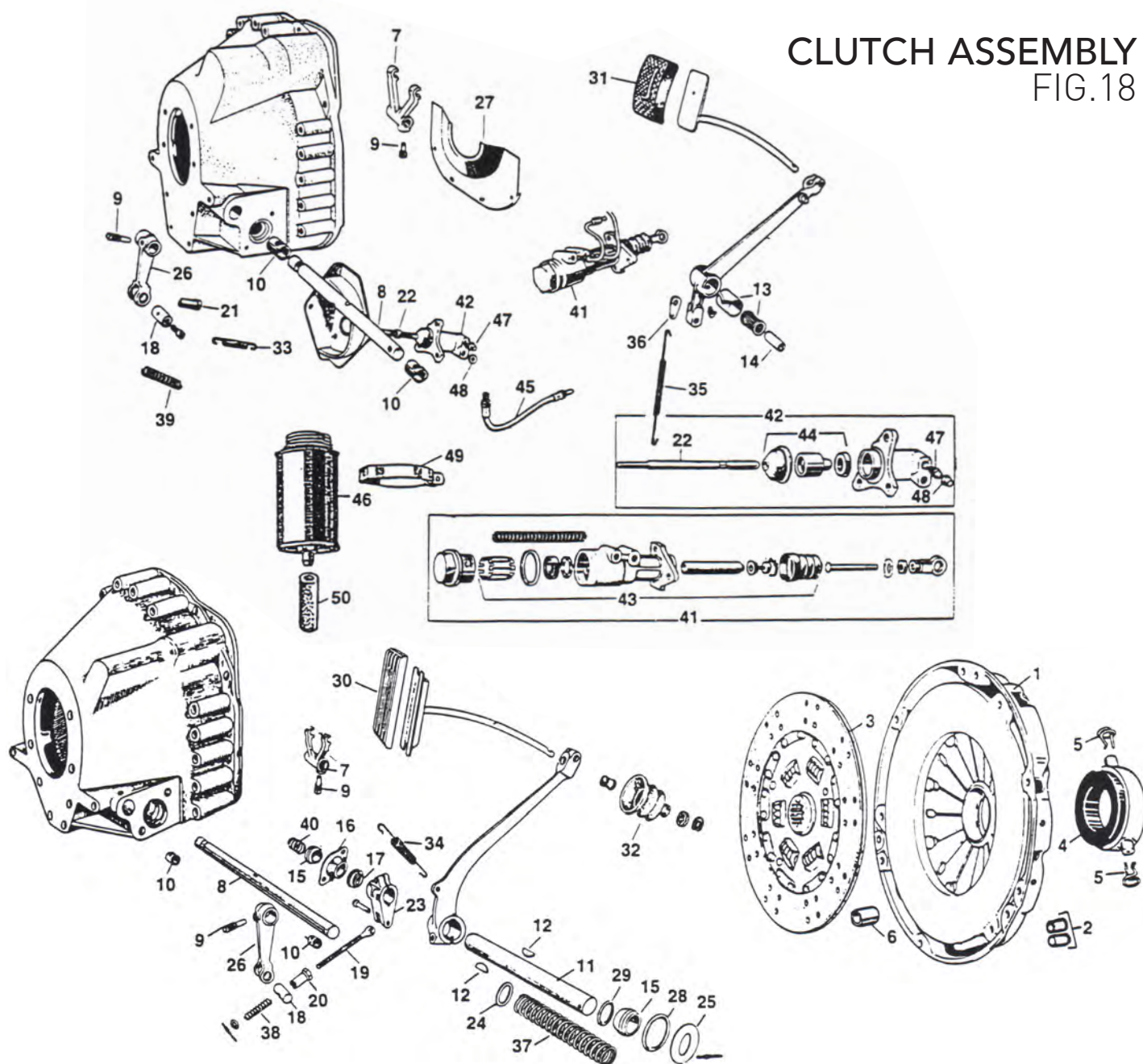


CLUTCH & CLUTCH HYDRAULICS

FIG.18 CLUTCH ASSEMBLY

#	DESCRIPTION	PART#	REQ.	KIT	MODELS					
					MK4	MK5	MK7	MK8	MK9	
↓ CYLINDER OVERHAUL KITS										
43	Master cylinder overhaul kit	SP1121	1					●	●	●
44	Slave cylinder overhaul kit	SP2016	1					●	●	●
↓ CLUTCH MISCELLANEOUS										
45	High pressure flexi hose	C11603	1					●	●	●
46	Fluid reservoir, metal type	C13165	1					●	●	●
47	Bleed screw & ball for slave cylinder	6911	1					●	●	●
48	Dust cap on bleed screw	1675	1					●	●	●
49	Reservoir mounting clip	C8870	1					●	●	●
↓ HYDRAULIC PIPE FITTINGS										
50	Low pressure hose, reservoir to master cylinder	BR1014	1					●	●	●
N/S	3/16 male flare nut	BR1007	1					●	●	●
N/S	3/16 female flare nut	BR1006	1					●	●	●

CLUTCH ASSEMBLY
FIG.18



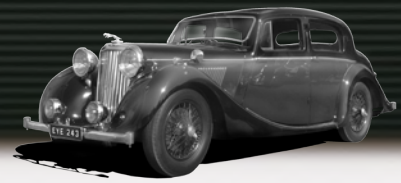


FIG.19 COOLING SYSTEM

#	DESCRIPTION	PART#	REQ.	KIT	MODELS				
					MK4	MK5	MK7	MK8	MK9
↓ENGINE HOSES MK4 & MK5									
1	Upper radiator hose	C3498	1		●	●			
2	Lower radiator hose	C3499	1		●	●			
N/S	Thermostat bypass hose, 2.5 litre	C2821	1		●	●			
3	Thermostat bypass hose, 3.5 litre	C2819	1		●	●			
↓ENGINE HOSES MK7									
N/S	Upper radiator hose (to Chas. no. 735526)	C4940	1				●		
4	Upper radiator hose (from Chas. no. 735527)	C7491	1				●		
5	Lower radiator hose	C4463	1				●		
N/S	Bypass hose (to engine no. B2916)	C4939	1				●		
6	Bypass hose (from engine no. B2917)								
↓ENGINE HOSES MK8 & MK9									
4	Upper radiator hose	C12424	1					●	●
5	Lower radiator hose	C4463	1					●	●
6	Bypass hose	C7548	1					●	●
↓HEATER HOSES MK4									
N/S	Manifold adaptor to heater valve, 2.5 litre	C3996	1		●				
N/S	Manifold adaptor to heater valve, 3.5 litre	C4396	1		●				
N/S	Heater valve to heater	BD215/2	1		●				
N/S	Heater to scuttle adaptor	C3996	1		●				
N/S	Scuttle adaptor to return pipe	BD215/2	1		●				
N/S	Return pipe to pump	C3996	1		●				
↓HEATER HOSES MK5									
N/S	Manifold adaptor to heater valve, 2.5 litre (to Chas. no. 527134, 547001, 627810 & 647011)	C3637	1			●			
	(from Chas. no. 527135, 547002, 627811 & 647012)	C3995	1			●			
N/S	Manifold adaptor to heater valve, 3.5 litre (to Chas. no. 527134, 547001, 627810 & 647011)	C3630	1			●			
	(from Chas. no. 527135, 547002, 627811 & 647012)	C3994	1			●			
N/S	Hose connecting return pipes (to Chas. no. 527134, 547001, 627810 & 647011)	C3734	1			●			
N/S	Feed pipe to heater valve (from Chas. no. 527135, 547002, 627811 & 647012)	C3997	1			●			
N/S	Heater valve to heater (from Chas. no. 527135, 547002, 627811 & 647012)	C3997	1			●			
N/S	Heater to return pipe (from Chas. no. 527135, 547002, 627811 & 647012)	C3996	1			●			
N/S	Return pipe to pump	C3996	1			●			
↓HEATER HOSES MK7 (TO CHAS. #737388)									
N/S	Elbow, feed pipe to heater valve	C4398	1				●		
N/S	Elbow, heater valve to heater	C4398	1				●		
N/S	Elbow, heater to return pipe	C4398	1				●		
N/S	Elbow, manifold to feed pipe	C3996	1				●		
N/S	Pump to return pipe	C3996	1				●		
N/S	Return pipe connector hose	BD215/2	1				●		
↓HEATER HOSES MK7 (FROM CHAS. #737389)									
N/S	Elbow, feed pipe to heater valve	C8145	1				●		
N/S	Elbow, heater valve to heater	C8146	1				●		
N/S	Elbow, heater to return pipe	C8145	1				●		
N/S	Elbow, manifold to feed pipe	C8145	1				●		
N/S	Pump to return pipe	C3996	1				●		
N/S	Return pipe connector hose	C8171	1				●		
↓HEATER HOSES MK8									
7	Elbow, feed pipe to heater valve	C8145	1					●	
8	U-hose from heater valve to heater	C8146	1					●	

FIG.19 COOLING SYSTEM

#	DESCRIPTION	PART#	REQ.	KIT	MODELS					
					MK4	MK5	MK7	MK8	MK9	
9	Elbow hose, connecting rear return pipe to front return pipe	C8171	1						●	
10	Elbow, heater to return pipe	C8145	1						●	
11	Elbow, feed pipe to manifold	C8145	1						●	
12	Elbow, to front return pipe	C3996	1						●	
	↓ HEATER HOSES MK9									
13	Elbow, feed pipe to manifold	C12457	1						●	
14	Elbow, feed pipe to valve	C8145	1						●	
15	Water valve to heater	C14569	1						●	
N/S	Elbow, heater to return pipe (to Chas. no. 791071)	C14702	1						●	
16	Elbow, heater to return pipe (from Chas. no. 791072)	C15487	1						●	
17	Elbow, pump to front return pipe (to engine no. NC7000)	C3996	1						●	
18	Elbow, pump to front return pipe (to engine no. NC7001)	C14999	1						●	
	↓ HOSE KITS									
	All kits are complete with all available engine & heater hoses									
	Clamp kits are listed separately below									
N/S	Hose kit, 2.5 litre	CS1030	1		●					
N/S	Hose kit, 3.5 litre	CS1031	1		●					
N/S	Hose kit, 2.5 litre saloon (to Chas. no. 527134)	CS1032	1			●				
N/S	Hose kit, 2.5 litre (from Chas. no. 527135 & 547001)	CS1033	1			●				
N/S	Hose kit, 3.5 litre (to Chas. no. 627810 & 647011)	CS1034	1			●				
N/S	Hose kit, 3.5 litre (from Chas. no. 627811 & 647012)	CS1035	1			●				
N/S	Hose kit, MK7 (to Chas. no. 735526)	CS1036	1				●			
N/S	Hose kit, MK7 (to Chas. no. 735527 & 737388)	CS1037	1				●			
N/S	Hose kit, MK7 (from Chas. no. 737389)	CS1041	1				●			
N/S	Hose kit, MK8	CS1039	1					●		
N/S	Hose kit, MK9 (to Chas. no. 791071 & engine no. NC7000)	CS1040/E	1						●	
N/S	Hose kit, MK9 (from Chas. no. 791072 & engine no. NC7001)	CS1040/L	1						●	
	↓ HOSE CLAMP KITS									
N/S	Hose clamp kit, MK4	CS1030/C	1		●					
N/S	Hose clamp kit, MK5	CS1033/C	1			●				
N/S	Hose clamp kit, MK7 (to Chas. no. 735526)	CS1036/C	1				●			
N/S	Hose clamp kit, MK7 (to Chas. no. 735527 to 737388)	CS1037/C	1				●			
N/S	Hose clamp kit, MK7 (from Chas. no. 737389)	CS1041/C	1				●			
N/S	Hose clamp kit, MK8	CS1039/C	1					●		
N/S	Hose clamp kit, MK9	CS1040/C	1						●	
	↓ WATER PUMP									
	All pumps are rebuilt. A core unit is required in advance or a core charge will be applied. Your original pump may be required.									
19	Water pump	C2974/R	1		●	●				
N/S	Water pump (to engine no. A2000)	C4946/R	1				●			
N/S	Water pump (from engine no. A2001 to B2916)	C5119/R	1				●			
20	Water pump (from engine no. B2917)	C7618/R	1				●	●		
N/S	Water pump (to engine no. NC7000)	C7618/R	1					●	●	
N/S	Water pump (from engine no. NC7001)	C15694/R	1						●	
21	Water pump rebuild kit	CS17	1		●	●				
22	Adaptor elbow on pump for heater	C8076	1				●	●		
22	Adaptor elbow on pump for heater (to engine no. NC7000)	C8076							●	
N/S	Elbow adaptor gasket	C7733	1				●	●		
N/S	Elbow adaptor gasket (to engine no. NC7000)	C7733	1						●	
N/S	Adaptor in pump for heater return hose (from engine no. NC7001)	C17421	1						●	
N/S	Copper washer on adaptor	C2296/1	1						●	
23	Gaskets for water pump (set of 2)	C524/528	1		●	●				
24	Water pump gasket	C2303					●	●	●	
N/S	Banjo bolt securing union for heater to water uptake manifold	C1506	1		●					

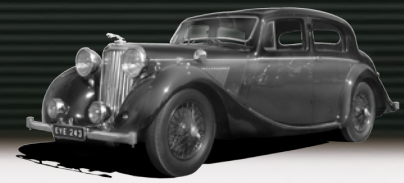
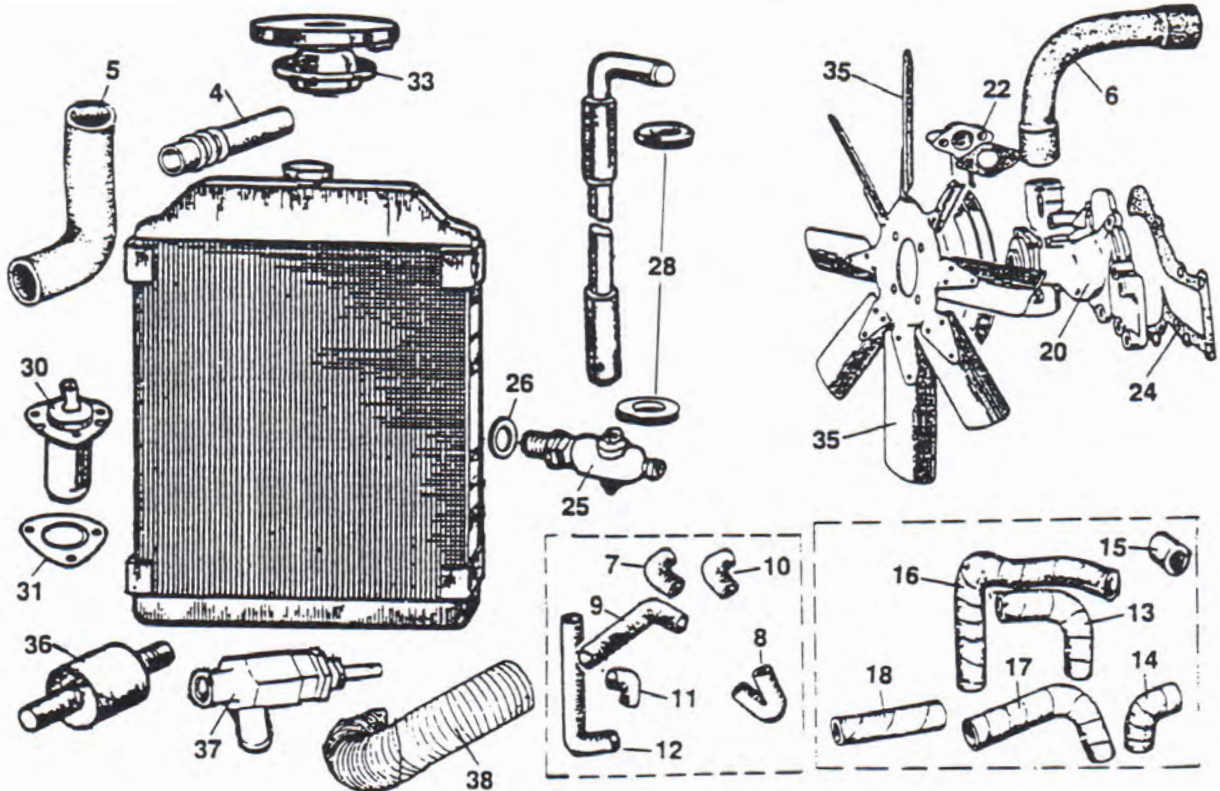
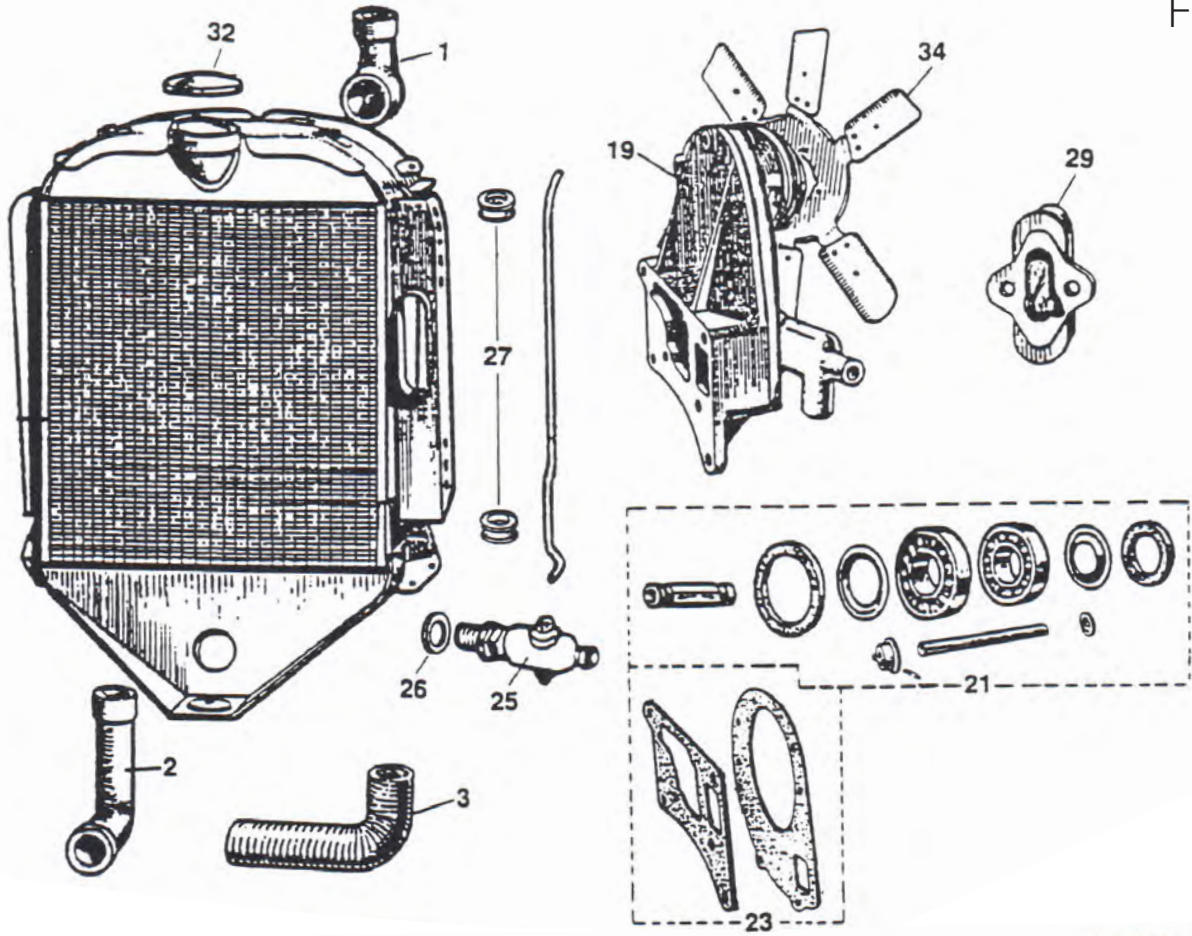


FIG.19 COOLING SYSTEM

#	DESCRIPTION	PART#	REQ.	KIT	MODELS				
					MK4	MK5	MK7	MK8	MK9
↓ MISCELLANEOUS									
N/S	Radiator mounting pad	C2144	4		•				
N/S	Radiator mounting pad	C2144	2			•			
25	Radiator drain tap	C19462	1		•	•	•	•	•
26	Fibre washer on drain tap	C784	A/R		•	•	•	•	•
27	Grommet for operating rod	C974	2			•			
28	Grommet for operating rod	C4437	2				•	•	•
29	Choke thermostatic switch	C2893	1		•	•			
30	Choke thermostatic switch	C33177	1				•	•	•
31	Gasket for thermostatic switch	C2475	1				•	•	•
↓ THERMOSTATS									
N/S	Thermostat	C527/2	1		•	•			
N/S	Thermostat, 159 to 168°F	C27650	1				•	•	•
N/S	Thermostat, 174 to 183°F	C27650	1				•	•	•
N/S	Thermostat housing gasket	C536	1		•	•			
	Thermostat housing gasket	C4985	1				•	•	•
↓ RADIATOR CAP									
32	Radiator cap, non-pressurised	252	1		•	•			
33	Radiator cap, 4lb pressure	C3455	1				•	•	•
N/S	Sealing ring to fit cap no. 252	C714	1		•	•			
↓ COOLING FAN									
N/S	Cooling fan blade	C2578	1		•				
34	Cooling fan blade	C6747	1			•			
N/S	Cooling fan blade (to engine no. A2000)	C2231	1				•		
N/S	Cooling fan blade (from engine no. A2000 to B2916)	C5057	1				•		
N/S	Cooling fan blade (from engine no. B2917)	C7615	1				•		
35	Cooling fan blade		1					•	•
↓ HEATER									
36	Heater mount	BD24448	4						•
37	Heater valve	C4392	1			•	•	•	•
38	Demister hose, 6"	BF1043	A/R				•	•	•
↓ V-BELTS									
	Drive belt	C531	1		•	•			
N/S	Drive belt (from engine no. A1001 to A2000)	C2240	1				•		
N/S	Drive belt (from engine no. A1002 to A9999 & B1001 to B2916)	C5056	1				•		
N/S	Drive belt (from engine no. B2917)	C7898	1				•		
N/S	Drive belt	C7898	1					•	
N/S	Drive belt for use with C45 dynamo	C14535/2	1						•
N/S	Drive belt for use with C48 dynamo	C16395	1						•

COOLING SYSTEM
FIG.19



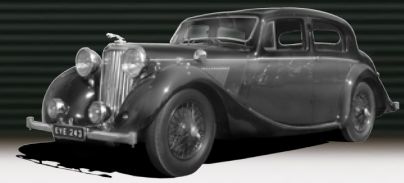


FIG.20 IGNITION EQUIPMENT & WIRING

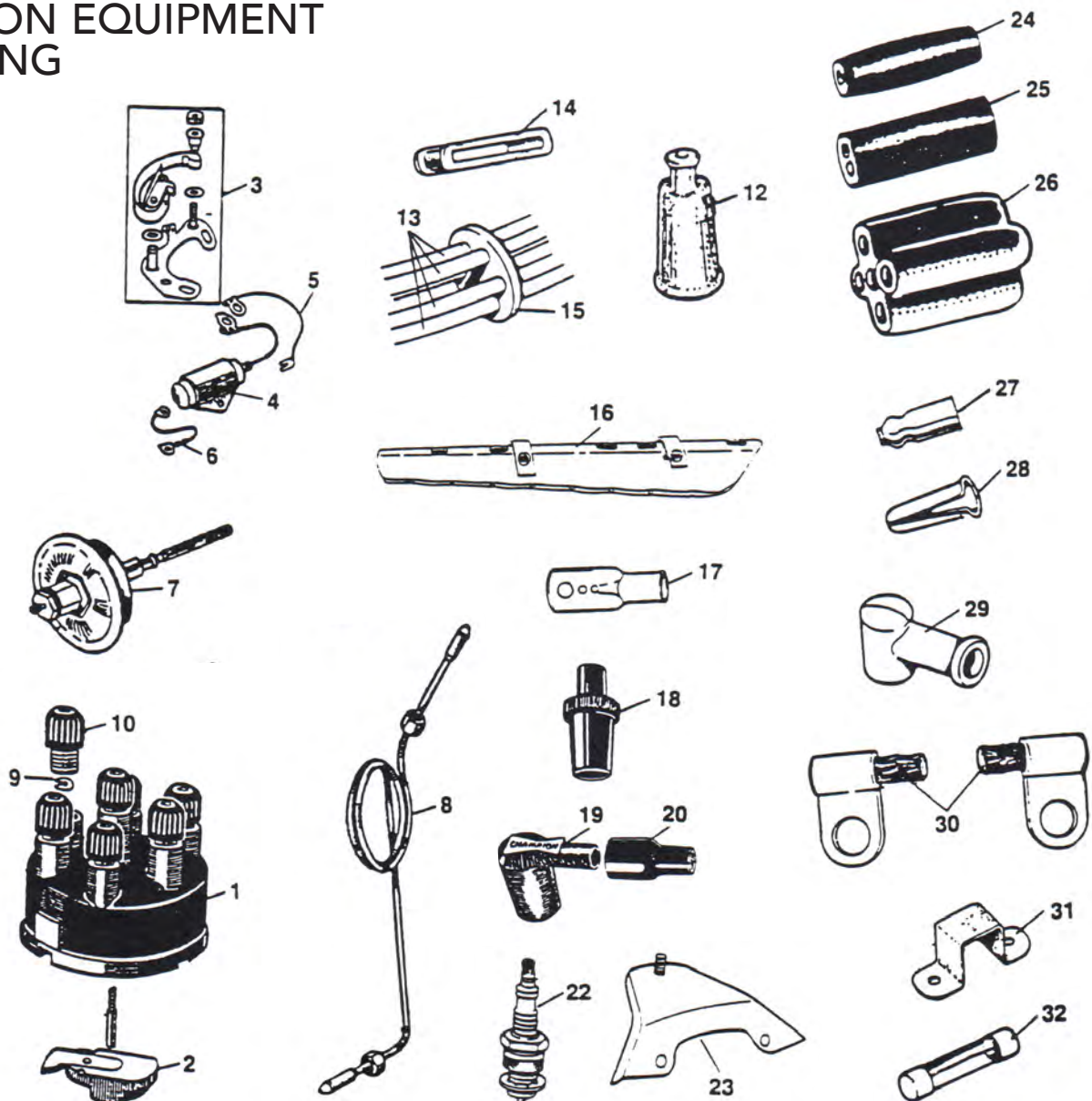
#	DESCRIPTION	PART#	REQ.	KIT	MODELS					
					MK4	MK5	MK7	MK8	MK9	
↓ DISTRIBUTOR										
N/S	Distributor cap, side entry	407279	1		•					
N/S	Distributor cap, side entry	415708	1			•				
1	Distributor cap, top entry (can be substituted for side entry)	DDB161	1			•				
1	Distributor cap, top entry	DDB161	1				•	•		
1	Distributor cap, top entry	DDB192	1						•	
2	Rotor arm	2926	1		•	•	•	•		
N/S	Rotor arm	DRB106	1						•	
3	Contact breaker set	DSB122	1		•	•	•	•		
N/S	Contact breaker set	DSB116	1						•	
4	Condenser	DCB121	1		•	•	•	•		
N/S	Condenser	DCB101	1						•	
5	Low tension lead	6488	1						•	
6	Earth lead	6489	1						•	
7	Vacuum unit, 2.5 litre	401239	1		•					
N/S	Vacuum unit, 3.5 litre	400904/S	1		•	•				
N/S	Vacuum unit, 2.5 litre	2957	1			•				
N/S	Vacuum unit	2958	1				•	•		
N/S	Vacuum unit	7983	1						•	
N/S	Distributor shaft, upper bearing	2755	1		•	•	•	•		
N/S	Sealed bearing assembly (requires minor modification to housing)	2755/A	1						•	
N/S	Distributor shaft, lower bush	2941	1		•	•	•	•		
N/S	Distributor shaft, lower bush	6499	1						•	
N/S	Rubber connector for carburettor vacuum pipe	C14212	1						•	
8	Distributor advance suction pipe (threaded fitting on both ends)	C12336	1			•	•	•		
N/S	Distributor advance suction pipe (threaded fitting on one end)	C21576	1						•	
↓ SPARK PLUG LEADS & RELATED ITEMS										
9	Brass discs at ends of plug leads (pack of 8)	C5452	1				•	•	•	
10	Distributor cap acorn nuts (pack of 7)	C11906	1				•	•	•	
11	Coil lead acorn nut	C5451	1		•	•	•	•	•	
12	Rubber boot on coil lead nut	C2706	1				•	•	•	
13	Spark plug lead set	EL1030	1		•	•				
N/S	Spark plug lead set, with 90° terminals	EL1027	1				•	•	•	
N/S	Spark plug lead set, without terminals	EL1027/W	1				•	•	•	
12	Rubber boot on distributor lead nut	C2706	7				•	•	•	
N/S	Bracket for spark plug leads, long	3090	1		•	•				
N/S	Bracket for spark plug leads, short	3091	1		•	•				
14	Grommet for plug lead bracket	3204	2		•	•				
15	Spark plug lead separator disc, thick	C4983	2				•	•	•	
N/S	Spark plug lead separator disc, thin	C4984	3				•	•	•	
16	Spark plug lead conduit	C2451	1				•	•	•	
17	Spark plug terminal	C404	6		•	•				
18	Spark plug terminal	HTC	6				•	•		
19	Spark plug terminal	WCX600	6						•	
20	PVC sleeve on spark plug terminals	C27856	6						•	
↓ MISCELLANEOUS										
N/S	Ignition coil (screw terminal, flanged bottom)	C2528	1		•	•				
N/S	Ignition coil (screw terminal, reproduction)	EL1021					•	•	•	
21	Ignition coil (screw terminal, original)	C23684	1				•	•	•	
22	Spark plug	L-10	6		•	•				
N/S	Spark plug	N12YC	6				•	•	•	
23	Coil bracket	C8047	1				•	•	•	
↓ WIRING SUNDRIES										
24	1 way female wire connector	EL1001	A/R		•	•	•	•	•	
25	2 way female wire connector	EL1002	A/R		•	•	•	•	•	

FIG.20 IGNITION EQUIPMENT & WIRING

#	DESCRIPTION	PART#	REQ.	KIT	MODELS				
					Mk4	Mk5	Mk7	Mk8	Mk9
26	5 way female wire connector	EL1005	A/R		●	●	●	●	●
N/S	10 way female wire connector	EL1013	A/R				●	●	●
N/S	Dual connection earth clip	EL1035	A/R				●	●	●
27	Male bullet ends (pack of 10)	EL1000	A/R		●	●	●	●	●
28	Sleeve terminals (pack of 10)	EL1018	A/R		●	●	●	●	●
29	Rubber boot on starter cables	EL1012	3		●	●	●	●	●
30	Engine/chassis earth cable	C21334	1		●				
N/S	Engine/chassis earth cable	C21334	2			●	●	●	●
31	Mounting bracket for 5 way connector	C2796	1				●	●	●
N/S	Mounting bracket for 10 way connector	C2707	1				●	●	●
↓ FUSES									
32	Fuse, 35 Amp	GFS435	2		●			●	●
N/S	Fuse, 35 Amp	GFS435	6			●	●		
N/S	Fuse, 25 Amp	GFS425	3		●				
N/S	Fuse, 50 Amp	GFS450	2					●	●

IGNITION EQUIPMENT & WIRING

FIG.20



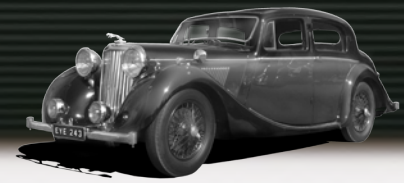


FIG.21 LAMPS

#	DESCRIPTION	PART#	REQ.	KIT	MODELS					
					Mk4	Mk5	Mk7	Mk8	Mk9	
↓ HEADLAMPS										
N/S	Lens only	506589	2		●					
↓ PF770 LAMPS										
1	PF770 lamps (one pair)	C2625/3	1			● ●				
2	Headlamp retaining spring	3431	2			● ●				
3	Bulb holder	3447	2			● ●				
N/S	Mounting hardware kit	EL1061	2			● ●				
N/S	Inner headlamp retaining ring	552686	2			● ●				
4	Bulb retainer & pigtail	3581	2			● ●				
N/S	Lamp mounting ring	3450	2			● ●				
↓ J-LAMPS										
5	J-lamp unit	C5526	2						● ●	
6	Lamp mounting ring	5302	2						● ●	
7	Lamp retaining ring	5301	2						● ●	
8	Bulb holder (without wires)	5298	2						● ●	
9	Cloth braid pigtails (one pair)	3454	1						● ●	
↓ SEALED BEAMS										
10	Sealed beam unit	6014	2			● ● ● ●				
N/S	Mounting ring	3450	2			● ●				
11	Headlamp bucket	6670	2						● ●	
12	Lamp retaining ring	5301	2			● ● ● ●				
N/S	Mounting hardware kit	EL1061	2			● ●				
9	Cloth braid pigtails (one pair)	3454	1			● ● ● ●				
↓ SIDE LAMPS										
N/S	Side lamp	52043	2		●					
N/S	Side lamp	C2627/1	2			●				
13	Side lamp	C4517	2				● ● ●			
N/S	Lens & rim only	523171	2		●					
14	Lens & rim only	523896	2			●				
N/S	Side lamp securing screw	C4549/3	2				● ● ●			
15	Red tell tale (late models with flashers)	C4691/A	2			●				
N/S	Red tell tale	C4691/A	2				● ● ●			
↓ FRONT FLASHERS										
16	Front flasher lamp complete, amber	C15430	2				● ● ●			
16	Front flasher lamp complete, clear	C15431	2				● ● ●			
N/S	Front flasher lamp lens, amber	5324	2				● ● ●			
N/S	Front flasher lamp lens, clear	7253	2				● ● ●			
17	Front flasher lens & rim assembly, amber	5322	2				● ● ●			
17	Front flasher lens & rim assembly, clear	7253	2				● ● ●			
18	Rubber boot for flasher lamp	C9926	2				● ● ●			
↓ STOP/TAIL FLASHERS										
19	Stop/tail flasher lamp complete	C2629	2			●				
N/S	Grommet on stop/tail flasher lamp, with trafficators	C2979	2			●				
N/S	Grommet on stop/tail flasher lamp, with flashers	C2979	4			●				
20	Rubber boot, socket, lens & rim (to chassis no. 738183)	C2993/1	2				●			
21	R.H. Lamp unit only, without lens (from chassis no. 738184)	C8266	1				●			
21	L.H. Lamp unit only, without lens (from chassis no. 738184)	C8267	1				●			
21	R.H. Lamp unit only, without lens	C8266	1						●	
21	L.H. Lamp unit only, without lens	C8267	1						●	
N/S	R.H. Lamp unit only, without lens (to chassis no. 791862)	C8266	1							●
N/S	L.H. Lamp unit only, without lens (to chassis no. 791862)	C8267	1							●
22	R.H. Lamp unit only, without lens (from chassis no. 791863)	8314	1							●
22	L.H. Lamp unit only, without lens (from chassis no. 791863)	8313	1							●
N/S	Stop/tail flasher lamp lens, red	523307	2			●				
N/S	Stop/tail flasher lamp lens, red/white	523308	2			●				



UK
BRIDGNORTH
+44 (0) 1746 765 432
sales.uk@sngbarratt.com

USA
MANCHESTER, NH
+1 800 452 4787 (toll free)
sales.usa@sngbarratt.com

HOLLAND
OISTERWIJK
+31 (0) 13 521 1552
sales.nl@sngbarratt.com

FRANCE
CHARNAY-LÈS-MÂCOI
+33 (0) 3 85 20 14 20
sales.fr@sngbarratt.com

FIG.21 LAMPS

#	DESCRIPTION	PART#	REQ.	KIT	MODELS				
					Mk4	Mk5	Mk7	Mk8	Mk9
N/S	Stop/tail flasher lamp lens, red (ribbed)	572660	2		●				
23	Red lens (to chassis no. 738183)	3484	2			●			
24	Red lens (from chassis no. 738184)	5316	2			●			
24	Red lens	5316	2				●		
	To chassis no. 791862 (2 piece lens)								
24	Red lens	5316	2					●	
	From chassis no. 791863 (2 piece lens)								
25	Lens, red (upper flasher)	8089	2						●
25	Lens, amber (upper flasher)	8080	2						●
26	Lens, red (lower stop/tail)	8081	2						●
27	Chrome lens divider	8174	2						●
28	Shield	8286	2						●
29	Base plate	8287	2						●
30	Reflector	9322	2						●
	↓ NUMBER PLATE/REVERSE LAMP								
31	Lamp unit, complete	C2838	2		●				
32	Cover & glass assembly	3479	2		●				
33	Housing	5308	1			●	●	●	
34	Reverse lens only	3487	1			●	●	●	
	↓ MISCELLANEOUS EXTERIOR LAMPS								
	Fog lamp lens	5190014	1		●				
35	Fog lamp unit (re-silvered)	534496/R	1		●				
36	Fog lamp rim	534494	1		●				
37	Fog lamp	FT576	1				●	●	●
N/S	Driving lamp	LR576	1				●	●	●
	↓ INTERIOR LAMPS								
38	Courtesy lamp & lens (less housing) in rear quarter								
N/S	Saloon RH	BD5367	1		●	●			
N/S	Saloon LH	BD5368	1		●	●			
N/S	Courtesy lamp, DHC	C18347	1		●	●			
39	Courtesy lamp lens								
N/S	Saloon, RH	63	1		●	●	●	●	●
N/S	Saloon, LH	64	1		●	●	●	●	●
	DHC	BD3921/2	1		●	●			
N/S	Courtesy lamp housing								
N/S	Saloon, RH	BF1088/R	1		●	●	●	●	●
N/S	Saloon, LH	BF1088/L	1		●	●	●	●	●
40	Boot lamp, including lens rim & bulb	BD826	1		●	●			
41	Boot lamp lens	3414	1		●	●			
42	Boot lamp rim	3413	1		●	●			
43	Handbrake, fluid level warning lamp (from Chas. no. 792317)	C16661	1						●
44	Lens & ring only, for warning lamp (from Chas. no. 792317)	8096	1						●
45	Instrument panel lamp (ultra-violet)	C2726/1	2		●				
45	Instrument panel lamp (ultra-violet)	C2726/1	4				●	●	●
46	Map lamp under dash fascia (without lens)	C2615	1			●	●	●	●
47	Map lamp lens	319003	1			●	●	●	●
	↓ WARNING LAMP LENS - INSTRUMENT PANEL								
48	Trafficator, 'TRF' (Amber)	C4626	1		●	●	●	●	●
49	Ignition, 'IGN' (Red)	C4625	1		●	●	●	●	●
N/S	Heater fan, (Green)	C2643	1			●			

LAMPS
 (FIG OVERLEAF)



LAMPS
FIG.21

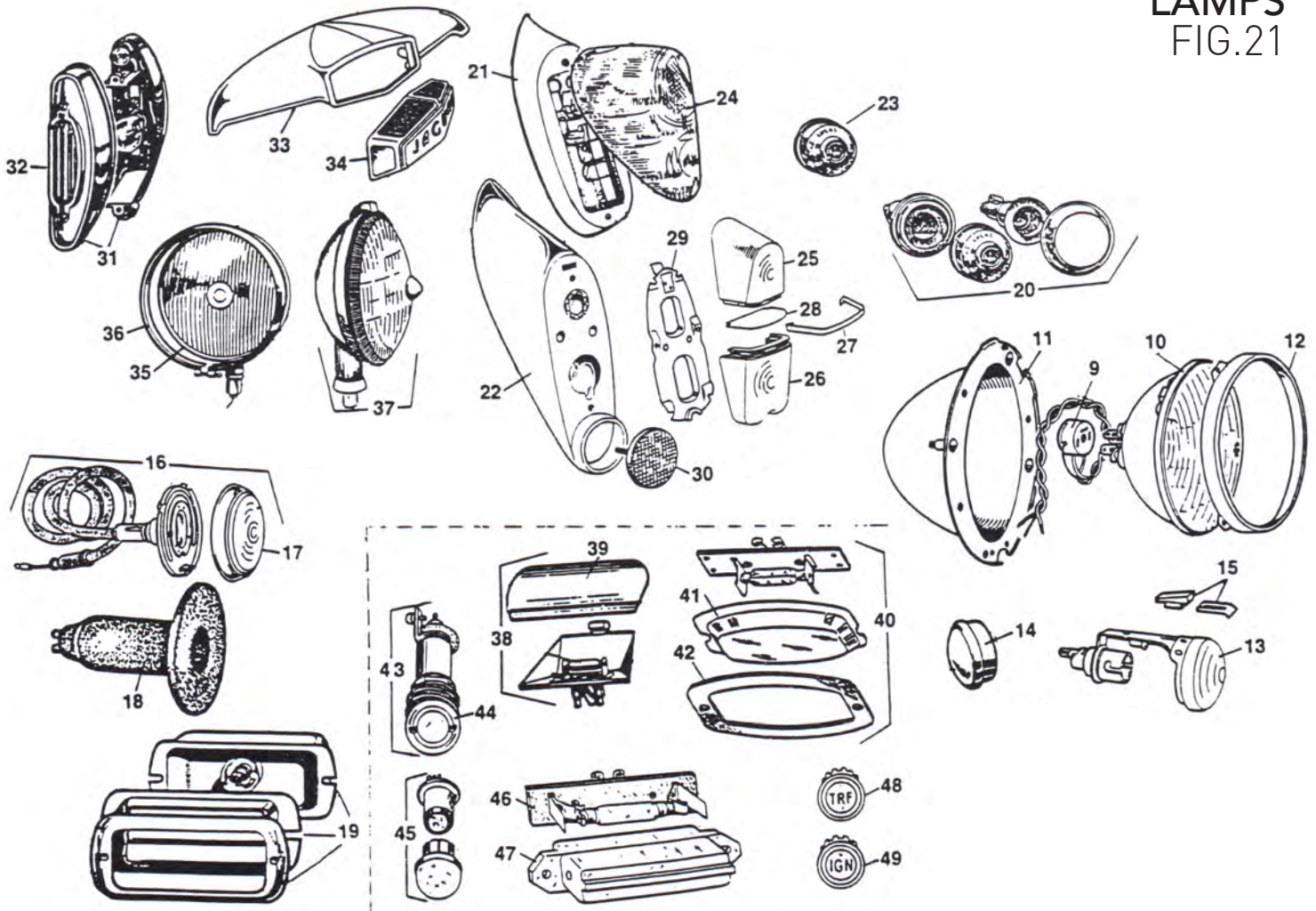
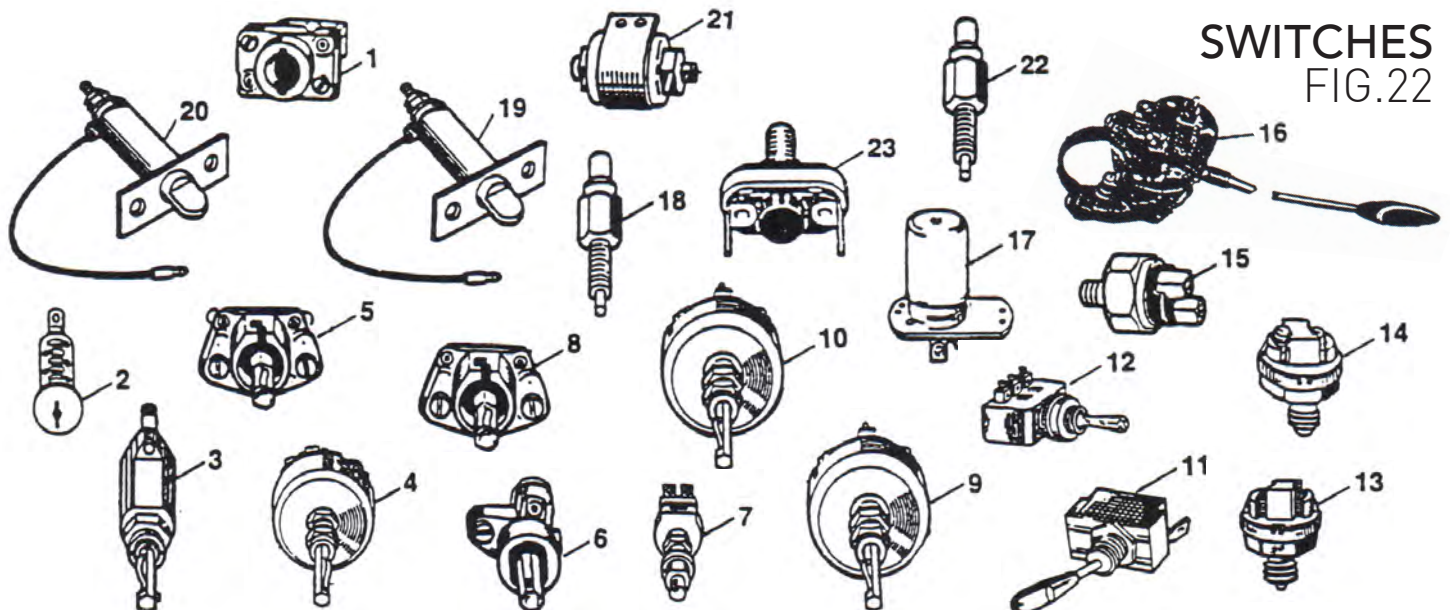


FIG.22 SWITCHES

#	DESCRIPTION	PART#	REQ.	KIT	MODELS					
					Mk4	Mk5	Mk7	Mk8	Mk9	
↓ INSTRUMENT PANEL SWITCHES										
1	Ignition switch, less lock barrel & keys	312151	1		•					
N/S	Ignition switch, less lock barrel & keys	31216	1			•				
N/S	Ignition switch, less lock barrel & keys	C4521	1				•	•	•	
2	Ignition lock barrel & keys	BD10610	1		•	•	•	•	•	
N/S	Starter switch	C2758	1		•					
N/S	Starter switch	31153	1			•				
3	Starter switch	C4520	1				•	•	•	
N/S	Lighting switch	359676	1		•					
4	Lighting switch	C2614	1			•				
N/S	Lighting switch (to Chas. no. 738009)	C4519	1				•			
N/S	Lighting switch (from Chas. no. 738010)	C8393	1				•			
N/S	Lighting switch	C8393	1					•	•	
5	Panel lamp switch	314613	1		•					
N/S	Panel lamp switch	31154	1			•				
N/S	Panel & interior light switch	C4524	1				•	•	•	
6	Interior lamp & map lamp switch	314613	1		•					
N/S	Interior lamp & map lamp switch	31198	1			•				
6	Map lamp switch	C4613	1				•	•	•	
N/S	Heater fan/ rheostat switch	7825	1		•					

FIG.22 SWITCHES

#	DESCRIPTION	PART#	REQ.	KIT	MODELS				
					Mk4	Mk5	Mk7	Mk8	Mk9
N/S	Heater fan/ rheostat switch (to Chas. no. 527134 & 627810)	31154	1		•				
7	Heater fan/ rheostat switch (from Chas. no. 527135 & 627811)	C4072	1		•				
8	Heater fan switch	C4613	1				•	•	
N/S	Heater fan switch	C4524	1						•
N/S	Fog lamp switch	314613	1		•				
N/S	Fog lamp switch	31154	1			•			
9	Fuel tank changeover switch (to Chas. no. 730013)	C4615	1				•		
9	Fuel tank changeover switch (from Chas. no. 730013 to 738009)	C4615/1	1				•		
9	Fuel tank changeover switch (from Chas. no. 738010)	C8394	1				•		
9	Fuel tank changeover switch	C8394	1					•	•
10	Wiper switch	31154	1		•				
10	Wiper switch (to Chas. no. 732208)	C4615/1	1				•		
10	Wiper switch (from Chas. no. 732209)	C4523	1				•		
10	Wiper switch	C4523	1					•	•
11	Intermediate hold switch	C12558	1					•	•
12	Overdrive switch on fascia panel	C7474	1				•	•	•
N/S	Instrument panel bezel kit (Includes red & amber warning lamp bezels & all chrome eyelets)	BK104	1				•	•	•
↓ GENERAL SWITCHES									
13	Reverse lamp switch (in manual gearbox top cover)	DAC3844	1		•	•	•	•	•
N/S	Reverse lamp switch (automatic transmission)	DAC3844	1				•	•	•
14	Overdrive engagement switch (in manual gearbox top cover)	DAC3844	1					•	•
N/S	Starter cut-out switch, on steering column (automatic transmission)	DAC3844	1				•	•	•
15	Stop lamp switch	315725	1		•				
15	Stop lamp switch	C5218	1			•	•	•	•
16	Indicator switch on steering column (PAS)	C13958						•	
16	Indicator switch on steering column	C13958							•
N/S	Lever & knob for C13958 switch	C13958/K	1						•
17	Headlamp dip switch	C2639	1				•	•	•
18	Handbrake warning switch (from Chas. no. 792317)	C25634	1						•
19	Interior & map lamp plunger switch in door jamb	C2614	1			•	•	•	•
20	Boot lamp switch	C2614	1		•	•			
21	Anti-creep solenoid	C12751	1					•	•
22	Anti-creep throttle switch	C25463	1					•	•
23	Overdrive throttle switch	C16661	1					•	•



SWITCHES
 FIG.22

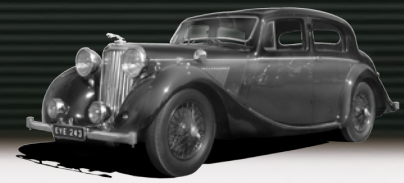


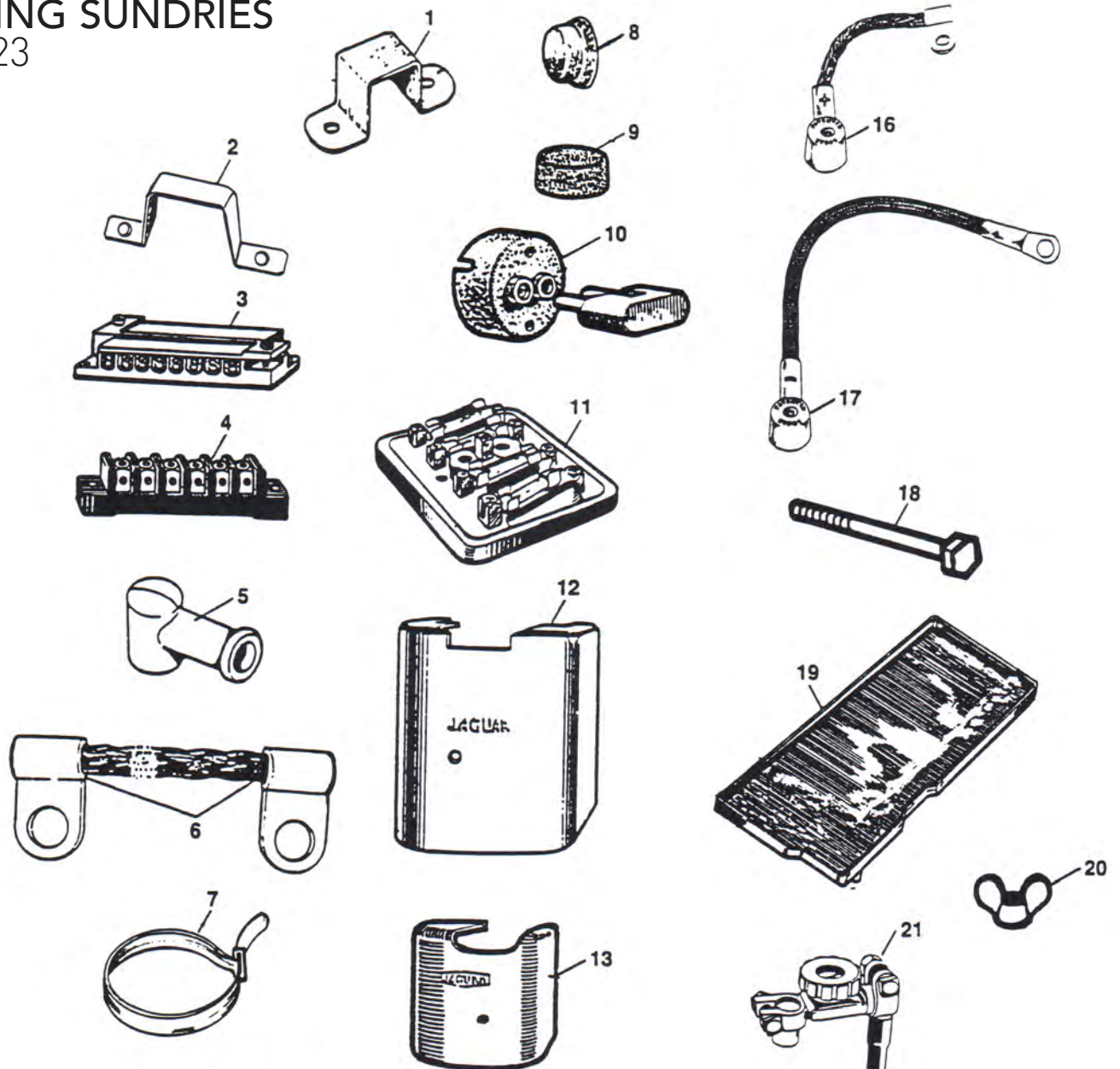
FIG.23 WIRING SUNDRIES

#	DESCRIPTION	PART#	REQ.	KIT	MODELS					
					Mk4	Mk5	Mk7	Mk8	Mk9	
↓ WIRING SUNDRIES										
1	5-way connector bracket	C2796	1				●		●	
2	10-way connector bracket	C2797	1				●		●	
N/S	Terminal block (early)	770017	1		●					
3	Terminal block (late)	C2532	1		●			●		
N/S	Terminal block	C2693	1			●				
3	Terminal block	C2532	1			●	●	●	●	
N/S	Terminal block	C4544	1				●			
4	Terminal block	C12837	1						●	
5	Battery/starter cable boot	EL1012	3		●	●	●		●	
6	Engine earth strap	C21334	1		●			●		
6	Engine earth strap	C21334	2			●	●		●	
N/S	Cable ties, plastic ratchet style	EL1006	A/R		●	●	●		●	
7	Cable ties, 8" aluminium (early type)	EL1052	A/R		●	●	●		●	
8	Rubber button on starter solenoid	C2606	1		●	●	●		●	
9	Rubber pad for dip switch	C2659	1			●	●		●	
10	Pin plug & socket	C2666	1				●		●	
11	Fuse box	C2829	1		●	●	●		●	
N/S	Fusebox cover	334956	1		●			●		
12	Fusebox cover	C2725	1			●				
13	Fusebox cover	C4516	1				●			
13	Fusebox cover (to Chas. no. 78179)	C4516	1							
14	Fusebox cover (from Chas. no. 78180)	C13924	1							
15	Fusebox cover	C14526	1					●	●	
↓ BATTERY CABLES										
With original 'Lucas' style helmet terminals										
N/S	Positive battery cable	810712	1		●					
N/S	Positive battery cable	C2663	1			●				
16	Positive battery cable	C2778	1				●			
N/S	Positive battery cable	C14509	1					●	●	
N/S	Negative battery cable	810846	1		●					
N/S	Negative battery cable	C2664	1			●				
17	Negative battery cable	C2664	1				●	●		
N/S	Negative battery cable	C14510	1						●	
N/S	Battery to battery jumper cable	C14511	1						●	
With clamp type terminals										
N/S	Positive battery cable	810712/A	1		●					
N/S	Positive battery cable	C2663/A	1			●				
N/S	Positive battery cable	C2778/A	1				●	●		
N/S	Positive battery cable	C14509/A	1						●	
N/S	Negative battery cable	810846/A	1		●					
N/S	Negative battery cable	C2664/A	1			●		●		
N/S	Negative battery cable	C2664/A	1				●			
N/S	Negative battery cable	C14510/A	1						●	
N/S	Battery to battery jumper cable	C14511/A	1						●	
↓ CABLES & FITTINGS										
N/S	Solenoid to starter cable	C2610	1			●	●			
N/S	Solenoid to starter cable	C14512	1						●	
N/S	Battery clamp strap	C2650	1			●	●			
N/S	Battery clamp strap	C15763	1					●	●	
N/S	Battery rod	C1823	2		●					
N/S	Battery rod	C2649	2			●				
18	Battery rod	C4561	2				●			
N/S	Battery rod	C14528	1						●	
19	Battery tray	C13960	1							

FIG.23 WIRING SUNDRIES

#	DESCRIPTION	PART#	REQ.	KIT	MODELS				
					Mk4	Mk5	Mk7	Mk8	Mk9
N/S	Battery tray	C14527	1						•
N/S	Rubber block between clamp & battery	C2653	2		•	•			
N/S	Rubber block between clamp & battery	C14530/1	4						•
N/S	Rubber pad between battery & scuttle	C2698	2		•				
N/S	Battery mounting felt	C2699	2		•				
N/S	Battery mounting felt	C4581	2				•		
N/S	Battery mounting felt	C14531	2						•
20	Wing nut on battery rod	C12734	1						•
N/S	Spring washer	FG204/X	2		•	•			
N/S	Spring washer	FG205/X	1						•
N/S	Battery tray drain tube	C10640/1	1						•
21	Battery isolator switch (non-factory option, fits to battery terminal)	EL1060	1		•	•	•	•	•

**MISCELLANEOUS
 WIRING SUNDRIES**
 FIG.23



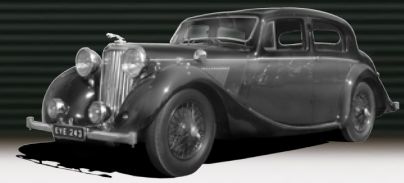


FIG.24 MISCELLANEOUS ELECTRICAL ITEMS

#	DESCRIPTION	PART#	REQ.	KIT	MODELS				
					Mk4	Mk5	Mk7	Mk8	Mk9
↓STARTER									
N/S	Starter motor - manual transmission	C1082/RB	1		●				
N/S	Starter motor - manual transmission, 2.5 Litre	C2690/RB	1			●			
N/S	Starter motor - manual transmission, 3.5 Litre (to engine no. T5593)	C1082/RB	1			●			
N/S	Starter motor - manual transmission, 3.5 Litre (from engine no. T5594)	C2691/RB	1			●			
N/S	Starter motor - manual transmission	C2746/1R	1				●	●	●
N/S	Starter - automatic transmission	C10980/R	1					●	●
2	Starter solenoid	C30287	1		●	●	●	●	●
3	Rubber button on solenoid	C2606	1		●	●	●	●	●
4	Starter motor brush set, pair (two pairs required for each motor)	2804	2		●	●	●	●	●
5	Starter motor brush spring set	2811	1		●	●	●	●	●
N/S	Commutator end (CE) bush	2801	1		●	●	●	●	●
N/S	Drive end (DE) bearing	2812	1		●	●	●	●	●
↓STARTER DRIVE - MANUAL									
N/S	Drive assembly	2824	1				●	●	●
N/S	Pinion & sleeve	2803	1		●	●			
N/S	Pinion & sleeve	2822	1				●	●	●
N/S	Main spring	2818	1			●			
N/S	Main spring	2820	1				●	●	●
↓STARTER DRIVE - AUTOMATIC									
N/S	Drive assembly	AEU1372	1				●	●	●
N/S	Main spring	5928	1				●	●	●
↓V-BELTS									
N/S	Drive belt	C531	1		●	●			
N/S	Drive belt (from engine no. A1001 to A2000)	C2240	1				●		
N/S	Drive belt (from engine no. A2001 to A9999 & B1001 to B2916)	C5056	1				●		
N/S	Drive belt (from engine no. B2917)	C7898	1				●		
N/S	Drive belt	C7898	1					●	
N/S	Drive belt, for use with C45 dynamo	C14535/2	1						●
N/S	Drive belt, for use with C48 dynamo	C16395	1						●
↓DYNAMO - All dynamos require either a core charge deposit or a rebuildable core received in advance of an order.									
6	Dynamo	C2527/RB	1		●				
N/S	Dynamo	C2527/1RB	1			●			
N/S	Dynamo (to engine no. A8126)	C2527/1RB	1				●		
N/S	Dynamo (from engine no. A8127)	C5453/R	1				●	●	
N/S	Dynamo (to engine no. 793734)	C15254/R	1						●
N/S	Dynamo (from engine no. 793735)	C16461/R	1						●
7	Dynamo brush	238061	SET		●				
N/S	Dynamo brush	2784	SET			●	●	●	
N/S	Dynamo brush (to Chas. no. 793734)	7906	SET						●
N/S	Dynamo brush (from Chas. no. 793735)	8957	SET						●
8	Dynamo brush spring	2779	2		●	●	●	●	
N/S	Dynamo brush spring (to Chas. no. 793734)	7907	2						●
N/S	Dynamo brush spring (to Chas. no. 793734)	8957	2						●
N/S	Commutator end (CE) bearing	2757	1		●				
N/S	Commutator end (CE) bearing	2754	1			●	●	●	●
N/S	Drive end (CE) bearing	7511	1		●	●	●	●	
N/S	Dynamo pulley	C2579	1			●			
N/S	Dynamo pulley (to engine no. A9999 & B2916)	C1076	1				●		
9	Dynamo pulley (from engine no. B2917)	C7427	1				●		
N/S	Dynamo pulley (to engine no. N8973)	C7427	1					●	
N/S	Dynamo pulley (from engine no. N8974)	C13594	1					●	
N/S	Dynamo pulley	C14590	1						●
N/S	Dynamo fan (from engine no. B2917)	C7428	1				●		

FIG.24 MISCELLAENOUS ELECTRICAL ITEMS

#	DESCRIPTION	PART#	REQ.	KIT	MODELS				
					MK4	MK5	MK7	MK8	MK9
N/S	Dynamo fan	C7428	1						●
10	Dynamo fan for C15254	C7428	1						●
N/S	Dynamo fan for C16461	C17668	1						●
11	Dynamo coupling for power steering pump	8285	1					●	●
12	Drive dog for dynamo coupling	C13844	2					●	●
	Voltage regulator								
13	↓ VOLTAGE REGULATOR (NEW)	C2530	1		●	●			
13	Voltage regulator, re-built	C2530/R	1		●	●			
13	Voltage regulator, new (to Chas. no. 736166)	C2530	1				●		
13	Voltage regulator, re-built (to Chas. no. 736166)	C2530/RB	1				●		
14	Voltage regulator (from Chas. no. 736167)	C5513	1				●		
14	Voltage regulator (to Chas. no. 781179)	C5513	1					●	
14	Voltage regulator (from Chas. no. 781180)	C15257	1					●	
14	Voltage regulator (to Chas. no. 790712)	C15257	1						●
14	Voltage regulator, new (from Chas. no. 790713 & 793733)	C15257	1						●
14	Voltage regulator, rebuilt (from Chas. no. 790713 & 793733)	C15257/R	1						●
15	Voltage regulator (from Chas. no. 793734)	C15257	1						●
	↓ INSTRUMENT REBUILDING SERVICE								
	Price is dependant on the condition of the submitted instrument.								
16	Speedometer	RB1001	1		●	●	●	●	●
17	Tachometer	RB1002	1		●	●	●	●	●
18	Clock in tachometer	RB1003	1		●	●	●	●	●
19	Oil/water gauge	RB1008	1		●	●	●	●	●
20	Ammeter	RB1005	1		●	●	●	●	●
21	Fuel gauge	RB1004	1		●	●	●	●	●
	↓ MISCELLANEOUS INSTRUMENTS								
	Clip securing water temp. thermocouple tube to radiator braces	520	4			●			
	Adaptor in intake manifold for thermocouple bulb	C9621	1				●	●	●
	Copper sealing washer on adaptor	C2296/1	1				●	●	●
	Instrument cables & drives								
	↓ SPEEDOMETER CABLES								
22	Manual transmission	C1434	1		●	●			
	Manual transmission (to Chas. no. 732402)	C1434	1				●		
	Manual transmission (from Chas. no. 732403 to 739885)	C8308	1				●		
	Manual transmission (from Chas. no. 739886)	C8308	1				●		
	Manual transmission	C8308	1					●	●
	Automatic transmission (to chassis no. 739850)	C5592	1				●		
	Automatic transmission (from chassis no. 739851)	C8304	1				●		
	Automatic transmission	C8034	1					●	●
	Overdrive transmission	C5591	1				●		
	Overdrive transmission	C8035	1					●	●
23	↓ TACHOMETER CABLES								
	Tachometer cable	C1724	1		●				
	Tachometer cable, 2.5 Litre	C2874	1			●			
	Tachometer cable, 3.5 Litre	C2856	1			●			
	Tachometer cable (to chassis no. 730013)	C4542	1				●		
	Tachometer cable (from chassis no. 730014 to 734913)	C2777	1				●		
	Tachometer cable (from chassis no. 734914 to 737527)	C5595	1				●		
	Tachometer cable (from chassis no. 737528 to 740189)	C8270	1				●		
	Tachometer cable (from chassis no. 740190)	C11959	1				●		
	Tachometer cable	C11962	1					●	
	Tachometer cable (to Chas. no. 791071)	C14523	1						●
24	↓ TACHOMETER ANGLE DRIVE								
	Angle drive, 2.5 Litre	C1795	1		●	●			
	Angle drive, 3.5 Litre	C1436	1		●	●			



MISCELLANEOUS ELECTRICAL ITEMS

FIG.24

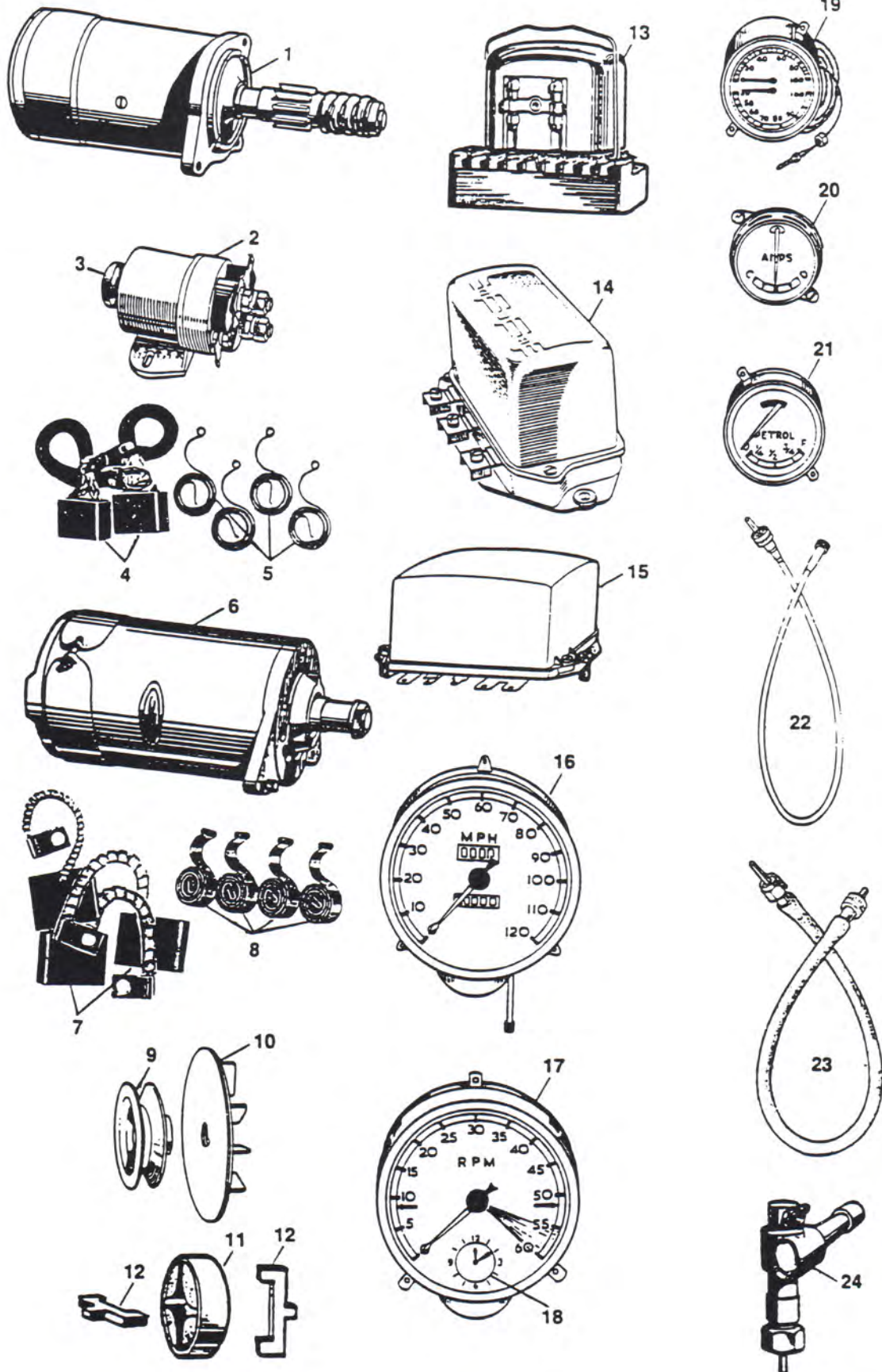
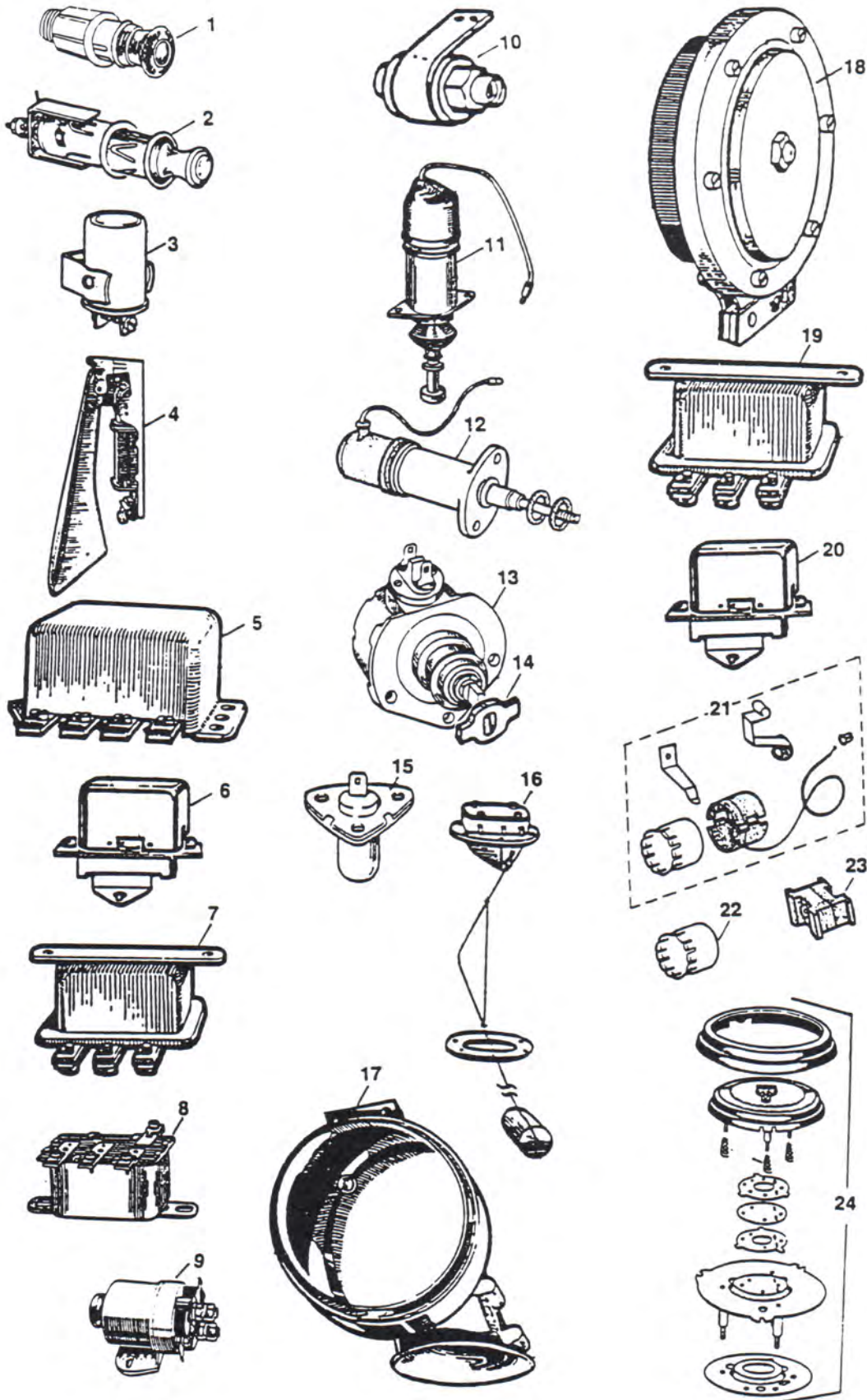


FIG.25 MISCELLANEOUS ELECTRICAL ITEMS

#	DESCRIPTION	PART#	REQ.	KIT	MODELS				
					Mk4	Mk5	Mk7	Mk8	Mk9
↓ MISCELLANEOUS ELECTRICAL ITEMS									
1	Cigar lighter	C2669	1		●	●			
1	Cigar lighter (to Chas. no. 730175)	C2669	1				●		
2	Cigar lighter (From Chas. no. 730176)	C5630	1				●		
2	Cigar lighter	C5630	1					●	●
2	Cigar lighter in centre pillar	C5630	2					●	●
3	Flasher unit	C5230	1		●	●	●	●	●
4	Trafficator assembly, DHC (to Chas. no. 537019 & 637163)	BD876	2		●				
N/S	Trafficator assembly, DHC (to Chas. no. 537020 & 637164)	54018/B	2		●				
N/S	Trafficator assembly, Saloon	54018/B	2		●				
N/S	Trafficator assembly, Saloon	BD1804	2			●			
↓ RELAYS & SOLENOIDS									
5	Directional flasher relay	C4518	1				●	●	
N/S	Directional flasher relay (to Chas. no. 791862)	C4518	1						●
6	Horn relay	C2554	1		●				
7	Horn relay	C4532	1			●	●	●	
8	Overdrive relay	C24158	2					●	
N/S	Overdrive relay (to Chas. no. 791460)	C24158	1						●
N/S	Overdrive relay (from Chas. no. 791461)	C14965	1						●
9	Starter solenoid	C30287	1		●	●	●	●	
10	Anti-creep solenoid valve (automatic transmission only)	C12750	1					●	●
11	Overdrive solenoid	C7471	1					●	●
12	Intermediate speed hold solenoid	10002	1					●	●
↓ PRESSURE SWITCHES & SENDER UNITS									
13	Tachometer generator (from Chas. no. 791072)	C14996	1						●
N/S	Terminal assembly for tachometer generator	9993	1						●
14	Drive dog for tachometer generator	C25426	1						●
15	Thermostatic switch for choke solenoid	C2893	1		●	●			
N/S	Thermostatic switch for choke solenoid	C33177	1				●	●	●
N/S	Fuel tank sender unit	C97	1		●				
N/S	Fuel tank sender unit	C3358	1			●			
16	Fuel tank sender unit, Right Hand	C4540	1				●	●	●
N/S	Fuel tank sender unit, Left Hand	C4539	1				●	●	●
N/S	Anti-creep pressure switch (automatic transmission only)	C12751	1					●	●
↓ HORNS (NB. CORE UNIT REQUIRED)									
17	Horn-High note, rebuilt (to Chas. no. 736521)	C2827/RB	1		●	●	●		
18	Horn-High note, rebuilt (from Chas. no. 736522)	C5226/R	1				●		
18	Horn-High note	C5226/R	1					●	●
17	Horn-Low note, rebuilt (to Chas. no. 736521)	C2828/RB	1		●	●	●		
18	Horn-Low note, rebuilt (from Chas. no. 736522)	C5227/R	1				●		
18	Horn-High note	C5227/R	1					●	●
19	Horn relay	C2554	1		●				
20	Horn relay	C4532	1			●	●	●	
21	Horn contact kit for steering column (Power steering only)	EL1065	1					●	●
22	Horn contact slip ring for steering column (included in EL1065)	C10317	1					●	●
23	Insulator block	C8158	2					●	●
24	Horn push assembly	C5531	1				●	●	●



MISCELLANEOUS ELECTRICAL ITEMS FIG.25



 **UK**
BRIDGNORTH
+44 (0) 1746 765 432
sales.uk@sngbarratt.com

 **USA**
MANCHESTER, NH
+1 800 452 4787 (toll free)
sales.usa@sngbarratt.com

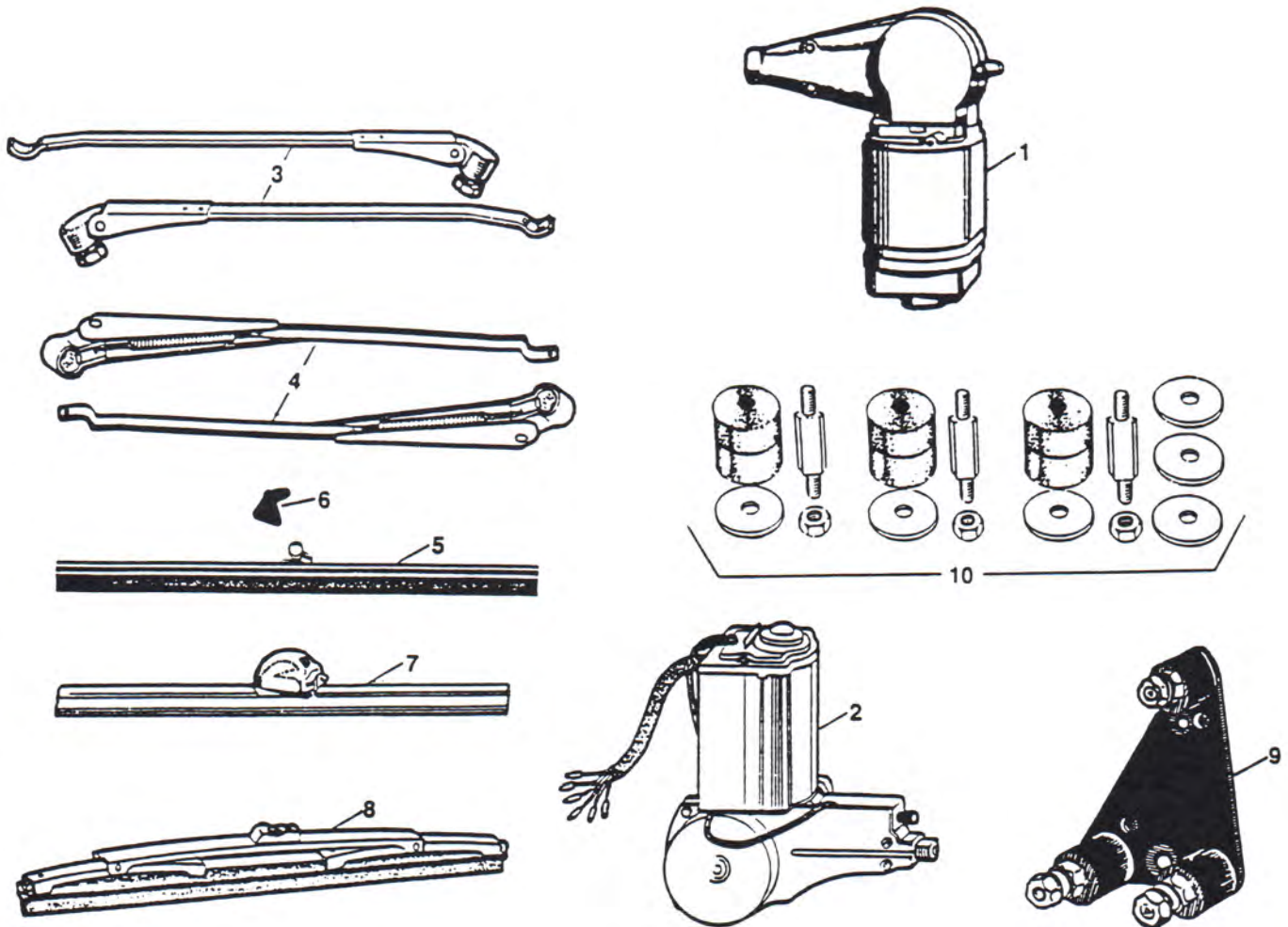
 **HOLLAND**
OISTERWIJK
+31 (0) 13 521 1552
sales.nl@sngbarratt.com

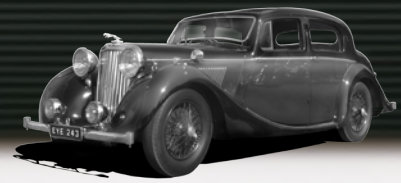
 **FRANCE**
CHARNAY-LÈS-MÂCOI
+33 (0) 3 85 20 14 20
sales.fr@sngbarratt.com

FIG.26 WIPER/WASHER EQUIPMENT

#	DESCRIPTION	PART#	REQ.	KIT	MODELS					
					MK4	MK5	MK7	MK8	MK9	
↓ WIPER/WASHER EQUIPMENT										
N/S	Wiper motor	72534	1		•					
1	Wiper motor	C4051	1			•				
2	Wiper motor	C13501	1				•	•		
N/S	Wiper motor	C14497	1						•	
N/S	Wiper arm	735048	2		•					
3	Wiper arm	737596	2			•				
4	Wiper arm	5342	1				•			
4	Wiper arm	5343	1				•			
4	Wiper arm	7151	2					•	•	
5	Wiper blade	727759	2		•					
6	Wiper blade mounting peg	730185	2		•					
7	Wiper blade	C11844	2			•	•			
8	Wiper blade	6562	2					•	•	
N/S	Wiper motor brushes, (one pair)	3509	1		•	•	•	•	•	
9	Wiper motor mount assembly	3556	1			•	•			
10	Wiper motor mount stud kit	7525	1					•	•	

WIPER/WASHER EQUIPMENT
 FIG.26





(NOT SHOWN) EXTERIOR BULBS

#	DESCRIPTION	PART#	REQ.	KIT	MODELS				
					MK4	MK5	MK7	MK8	MK9
	↓ HEADLAMP								
N/S	Dual filament	GLB182	2		•				
N/S	Vertical dip only	GLB60	2		•				
N/S	PF7	GLB370	2			•	•		
N/S	J-Lamp	GLB406	2					•	•
	↓ SIDELAMP								
N/S	Sidelamp without indicators	GLB207	2		•	•	•	•	•
N/S	Sidelamp with indicators	GLB380	2			•	•		
	Front indicator lamp								
N/S	Front indicator lamp bulb (from Chas. no. 738465)	GLB382	2				•		
N/S	Front indicator lamp bulb	GLB382	2					•	•
	↓ TAIL LAMP								
N/S	With indicators (indicator bulb)	GLB199	2			•			
N/S	Late style lamp (indicator bulb)	GLB382	2						•
N/S	Stop lamp bulb	GLB207	3		•				
N/S	Stop lamp bulb	GLB380	3			•			
N/S	Stop lamp bulb, early round lamp	GLB380	2				•		
N/S	Stop lamp bulb, later oval lamp	GLB380	2				•		
N/S	Stop lamp bulb	GLB380	2					•	•
	↓ FOG LAMP								
N/S	Fog lamp bulb	GLB87	2		•				
N/S	Fog lamp bulb	GLB192	2			•			
N/S	Early style, wing mounted	GLB325	2				•		
N/S	External, bumper mounted	GLB325	2				•	•	•
	↓ TRAFFICATORS								
N/S	Trafficator bulb	GLB256	2		•	•	•		
	↓ REVERSING LAMP								
N/S	Reversing lamp bulb	GLB207	1		•				
N/S	Reversing lamp bulb	GLB199	2			•			
N/S	Reversing lamp bulb	GLB382	1				•	•	•
	↓ NUMBER PLATE								
N/S	Number plate lamp bulb	GLB989	4			•			
N/S	Number plate lamp bulb	GLB989	3				•	•	•
	↓ INTERIOR BULBS								
	↓ INSTRUMENT PANEL								
N/S	Instrument panel bulb	GLB207	4		•				
N/S	Ultraviolet bulb (to Chas. no. 628586 & 647348)	GLB987	4			•			
N/S	Instrument panel bulb (from Chas. no. 628587 & 647349)	GLB987	2			•			
N/S	Instrument panel bulb	GLB987	4				•	•	•
N/S	IGN, TRF, HTR. Warning lamp bulbs	GLB987	1		•				
N/S	IGN, TRF, HTR. Warning lamp bulbs	GLB987	3			•			
N/S	IGN, TRF, HTR. Warning lamp bulbs	GLB987	2				•	•	•
N/S	Handbrake warning lamp (late models)	GLB987	1						•
	↓ INTERIOR LAMPS								
N/S	Interior lamp bulb, DHC	GLB256	1		•				
N/S	Interior lamp bulb, Saloon	GLB256	2		•				
N/S	Interior lamp bulb, DHC	GLB256	2			•			
N/S	Interior lamp bulb, DHC	GLB989	1			•			
N/S	Boot lamp	GLB256	1		•	•			
N/S	Map lamp	GLB256	1			•	•	•	•

(NOT SHOWN) WIRING HARNESSES

#	DESCRIPTION	PART#	REQ.	KIT	MODELS				
					Mk4	Mk5	Mk7	Mk8	Mk9
↓ WIRING HARNESSES, MK4									
1945 to 1947, 2.5 Ltr & 3.5 Ltr to body no. B9981 & C1156									
N/S	Trafficator connector harness (DHC)	WH713	1		●				
N/S	Tail lamp harness	WH716	1		●				
N/S	Negative battery cable	810846	1		●				
N/S	Positive battery cable	810712	1		●				
N/S	Engine, headlamp & body harness, Left Hand Drive	WH711	1		●				
N/S	Engine, headlamp & body harness, Right Hand Drive	WH1520	1		●				
N/S	Dash to control box harness	WH712	1		●				
N/S	Instrument panel harness	WH714	1		●				
N/S	Manette control harness	WH715	1		●				
↓ WIRING HARNESSES, MK4									
1948 on, 2.5 Ltr & 3.5 Ltr from body no. B9982 & C1157									
N/S	Trafficator connector harness (DHC)	WH718	1		●				
N/S	Trafficator harness	WH719	1		●				
N/S	Tail lamp harness	WH720	1		●				
N/S	Negative battery cable	810846	1		●				
N/S	Positive battery cable	810712	1		●				
N/S	Engine, headlamp & body harness, Left Hand Drive	WH2368	1		●				
N/S	Engine, headlamp & body harness, Right Hand Drive	WH717	1		●				
N/S	Dash to control box harness	WH722	1		●				
N/S	Instrument panel harness	WH723	1		●				
N/S	Manette control harness	WH3248	1		●				
N/S	Brake switch harness, Right hand drive	WH721	1		●				
N/S	Miscellaneous engine wires set	WH2383	1		●				
↓ WIRING HARNESSES, MK5									
N/S	Trafficator connector wire (early DHC)	WH2097	1		●				
N/S	Tail lamp harness	WH726	1		●				
N/S	Negative battery cable	C2664	1		●				
N/S	Positive battery cable	C2663	1		●				
N/S	Dash, headlamp & engine harness	WH724	1		●				
N/S	Dash, engine & body harness (Saloon)	WH2096	1		●				
N/S	Dash, engine & body harness (DHC)	WH2096	1		●				
N/S	Instrument panel harnesses (set of 4)	WH727	1		●				
N/S	Interior light harness (DHC)	WH2101	1		●				
N/S	Instrument panel lights harness	WH732	1		●				
N/S	Manette control harness	WH728	1		●				
N/S	Headlamp bucket harnesses (pair)	3454	1		●				
N/S	Reverse light & number plate light harnesses	WH730	1		●				
N/S	Rear turn signal connector harness (Saloon)	WH731	1		●				
N/S	Door switch connector wire	WH2098	1		●				
N/S	Parking light bucket wires, trafficator model (pair)	WH2099	1		●				
N/S	Park & turn light bucket wires, flasher model (pair)	WH2202	1		●				
N/S	Fuel pump wire	WH2100	1		●				
N/S	Flasher unit harness (flasher model)	WH2102	1		●				
N/S	Solenoid to starter cable	C2610	1		●				
↓ WIRING HARNESSES, MK7									
N/S	Headlamp bucket harnesses (pair)	3454	1		●				
N/S	Side lamp bucket harnesses, early (pair)	WH747	1		●				
N/S	Side lamp bucket harnesses, late (pair)	C5555	1		●				
N/S	Flasher lamp bucket harnesses, late (pair)	WH2468	1		●				
N/S	Panel harness (to Chas. no. 730013)	C4637	1		●				
N/S	Panel harness (from Chas. no. 730014 to 738183)	C4669	1		●				
N/S	Panel harness (from Chas. no. 738184)	C13950	1		●				
N/S	Panel & map light harness	C4591	1		●				



(NOT SHOWN) WIRING HARNESSES

#	DESCRIPTION	PART#	REQ.	KIT	MODELS				
					Mk4	Mk5	Mk7	Mk8	Mk9
N/S	Windtone horn harness	C4587	1						●
N/S	High frequency horns, without fog lamps	C5277	1						●
N/S	High frequency horn, chassis harness, with wing mounted fog lamps	C5654	1						●
N/S	High frequency horns chassis harness, with bumper mounted fog lamps	C13949	1						●
N/S	Flasher unit harness	C4590	1						●
N/S	Cable, battery to 2 pin socket	C4598	1						●
N/S	Fuel pump harness	C4589	1						●
N/S	Fuel pump earth wire	C2895	1						●
N/S	Body harness	C4582	1						●
N/S	High frequency horn harness (to Chas. no. 738183)	C8391	1						●
N/S	High frequency horn harness (from Chas. no. 738184)	C8842	1						●
N/S	Fog lamp cable (from Chas. no. 738184)	C8841	1						●
N/S	Wiper motor harness (from Chas. no. 732209)	C5228	1						●
N/S	Coil to distributor cable (to engine no. B5875)	C4636	1						●
N/S	Coil to distributor cable (from engine no. B5876)	C5597	1						●
N/S	Carburettor solenoid to thermostat switch cable	C4593	1						●
N/S	Reversing lamp switch cable (manual non-overdrive)	C4597	1						●
N/S	Neutral safety switch & reversing lamp switch cable	C7226	1						●
N/S	Gearbox harness (overdrive models)	C5565	1						●
N/S	Overdrive relay harness	C5563	1						●
N/S	Anti -creep harness	C7225	1						●
N/S	Manette cable (manual steering)	5351	1						●
N/S	Instrument panel harness	WH3748	1						●
N/S	Stop lamp switch harness	WH2817	1						●
N/S	Boot lid harness	C4584	1						●
N/S	Boot harness	C4583	1						●
N/S	Cable, solenoid to starter	C2610	1						●
N/S	Positive battery cable	C2778	1						●
N/S	Negative battery cable	C2664	1						●
	↓ WIRING HARNESSES, MK8								
N/S	Headlamp bucket harnesses (pair)	3454	1						●
N/S	Side lamp wires	C5555	1						●
N/S	Flasher lamp wires (pair)	WH2468	1						●
N/S	Fog lamp wires	C8841	1						●
N/S	Chas. harness manual steering, Left Hand Drive	C13949	1						●
N/S	Chas. harness power steering, Left Hand Drive	C13955	1						●
N/S	Panel harness, Manual steering	C13950	1						●
N/S	Panel harness, Power steering	C13956	1						●
N/S	Panel and map lamp harness	C4591	1						●
N/S	High frequency horn harness	C8842	1						●
N/S	Fog lamp cable	C8841	1						●
N/S	Wiper motor harness (to Chas. no. 780776)	C5228	1						●
N/S	Wiper motor harness (from Chas. no. 780777)	C13485	1						●
N/S	Cable, coil to distributor	C4636	1						●
N/S	Cable, carburettor solenoid to thermostatic switch	C4593	1						●
N/S	Cable, neutral safety switch & reverse lamp switch	C7226	1						●
N/S	Gearbox harness	C5565	1						●
N/S	Overdrive relay harness	C5563	1						●
N/S	Intermediate speed hold harness	C12593	1						●
N/S	Anti-creep harness	C7225	1						●
N/S	Flasher unit harness, Manual steering	C11493	1						●
N/S	Cable, battery to 2 pin socket	C4598	1						●
N/S	Fuel pump harness	C4589	1						●
N/S	Fuel pump earth wire	C2895	1						●
N/S	Stop lamp switch harness	WH2817	1						●

(NOT SHOWN) WIRING HARNESSES

#	DESCRIPTION	PART#	REQ.	KIT	MODELS				
					MK4	MK5	MK7	MK8	MK9
N/S	Instrument panel harness	WH2079	1						●
N/S	Body harness	C4582	1						●
N/S	Indicator switch harness	C13958/A	1						●
N/S	Manette harness, Manual steering	5351	1						●
N/S	Manette harness, Power steering	C13961	1						●
N/S	Boot lid harness	C4584	1						●
N/S	Boot harness	C4583	1						●
N/S	Cable, solenoid to starter	C2610	1						●
N/S	Positive battery cable	C2778	1						●
N/S	Negative battery cable	C2664	1						●
	↓ WIRING HARNESSES, MK9								
N/S	Headlamp bucket harness	3454	2						●
N/S	Side lamp wires (pair)	WH2468	1						●
N/S	Flasher lamp wires	WH2468	2						●
N/S	Chas. harness	C14504	1						●
N/S	Panel harness	C14506	1						●
N/S	Panel, map & lamp harness	C4591	1						●
N/S	Cable, battery to 2 pin socket	C4598	1						●
N/S	Manette cable	C13961	1						●
N/S	Indicator switch harness	C13958/A	1						●
N/S	Cable, neutral safety switch & reverse lamp switch (Auto transmission)	C14514	1						●
N/S	Gearbox harness (with overdrive)	C14516	1						●
N/S	Overdrive relay harness (to Chas. no. 791460)	C14517	1						●
N/S	Overdrive relay harness (from Chas. no. 791461)	C14966	1						●
N/S	Intermediate speed hold harness	C12595	1						●
N/S	Anti-creep harness	C14519	1						●
N/S	Front seat harness (bench seat)	C12572	1						●
N/S	Earth wire for electric clock	C14298	1						●
N/S	Instrument panel harness	WH2079	1						●
N/S	Fog lamp bucket wires (pair)	C8841	1						●
N/S	Cable, solenoid to starter switch	C12699	1						●
N/S	Cable, hand brake/brake fluid warning lamp (from Chas. 792317)	C16445	1						●
N/S	Extension cable, hand brake/brake fluid warning lamp (from Chas. 792317)	C16241	1						●
N/S	Fuel pump earth wire	C2895	1						●
N/S	Fuel pump harness	C14505	1						●
N/S	Body harness	C16731	1						●
N/S	Flasher relay cable (to Chas. no. 791862)	C14698	1						●
N/S	Earth wire for handbrake warning switch (from Chas. 792317)	C16447	1						●
N/S	Interior lamp extension cable	C16732	1						●
N/S	Cable for tachometer generator (from Chas. no. 791072)	C15268	1						●
N/S	Cables for cigar lighter in centre pillar (pair)	C12573	1						●
N/S	Connector wires for cigar lighters in centre pillars (LH)	C12574	1						●
N/S	Connector wires for cigar lighters in bucket seats (RH)	C12575	1						●
N/S	Connector wires for cigar lighters in bench seat (RH)	C12576	1						●
N/S	Boot lid harness	C4584	1						●
N/S	Boot harness	C14508	1						●
N/S	Positive battery cable	C14509	1						●
N/S	Negative battery cable	C14510	1						●
N/S	Battery to battery jumper cable	C14511	1						●
N/S	Solenoid to starter cable	C14512	1						●



FIG.27 MK4/MK5 CYLINDER BLOCK

#	DESCRIPTION	PART#	REQ.	KIT	MODELS					
					MK4	MK5	MK7	MK8	MK9	
↓ CYLINDER BLOCK										
1	Core plug	C315	4		●	●				
2	Core plug	C343	1		●	●				
N/S	Core plug	C317	2		●	●				
N/S	Complete engine core plug kit	EN1019	1		●	●				
3	Cylinder block drain tap	C2000	1		●	●				
4	Sump drain plug	C23435/M	1		●	●				
5	Washer, sealing drain plug	C2296/1	1		●	●				
6	Cylinder head stud	C339	6		●	●				
7	Cylinder head stud	C340	8		●	●				
8	Cylinder head stud	C2138	7		●	●				
9	Cylinder head stud acorn nut	C341	7		●	●				
10	Washer under stud nuts	C789	14		●	●				
N/S	Dipstick	C2683	1		●	●				
N/S	Generator bracket	C2619	1		●	●				
↓ ENGINE MOUNTS, FRONT										
11	Engine mount, early (square)	C428	2		●	●				
12	Engine mount, late (round)	C18556	2			●				
↓ ENGINE MOUNTS, REAR										
13	Engine mount, early (square)	C478	1		●	●				
14	Engine mount, late (spool)	C12677	2			●				
N/S	Prop shaft centre bearing mount	C25389	2		●	●				
↓ CRANKSHAFT RELATED ITEMS										
15	Woodruff key at front of crankshaft	C757	4		●	●				
16	Connecting rod bolt	C32344	12		●	●				
17	Connecting rod nut (new cotterless style)	C32344	12		●	●				
18	Flywheel dowel, locating pressure plate	C1782	2		●	●				
19	Spigot bush in rear of crankshaft	C2226	1		●	●				
20	Flywheel securing bolt	C514	4		●	●				
21	Lockplate for flywheel bolts	C381	2		●	●				
N/S	Tappet	C2963/1	12		●	●				
N/S	Tappets, (set of 12)	C2963/1K	1		●	●				
↓ ENGINE BEARINGS										
22	Connecting rod bearing set	ENB103	1		●					
22	Connecting rod bearing set	ENB103/10	1			●				
22	Connecting rod bearing set	ENB103/20	1				●			
22	Connecting rod bearing set	ENB103/30	1					●		
23	Main bearing set	ENB106	1		●					
23	Main bearing set	ENB106/20	1				●			
23	Main bearing set	ENB106/30	1					●		
24	Thrust washer set	C462/C559	1		●					
24	Thrust washer set	C462/C559	1			●				
24	Thrust washer set	C462/C559	1				●			
24	Thrust washer set	C462/C559	1					●		
25	Gudgeon wrist pin bushing (set of 6, use with steel conrod)	C17164	1		●					
25	Gudgeon wrist pin bushing (set of 6, use with steel conrod)	C17164	1			●				
25	Gudgeon wrist pin bushing (set of 6, use with steel conrod)	C17164	1				●			
25	Gudgeon wrist pin bushing (set of 6, use with steel conrod)	C17164	1					●		
↓ PISTONS & RINGS										
26	Piston set (3.5L) CR 8:1	ENP101	1		●					
26	Piston set (3.5L) CR 8:1	ENP101/20	1			●				
26	Piston set (3.5L) CR 8:1	ENP101/30	1				●			
26	Piston set (3.5L) CR 8:1	ENP101/40	1					●		
26	Piston set (2.5L) CR 8:1	ENP102	1		●					
26	Piston set (2.5L) CR 8:1	ENP102/20	1			●				

STD -.010 -.020 -.030

STD +.020+.030+.040

FIG.27 MK4/MK5 CYLINDER BLOCK

#	DESCRIPTION	PART#	REQ.	KIT	STD +.020+.030+.040
26	Piston set (2.5L) CR 8:1	ENP102/30	1		●
26	Piston set (2.5L) CR 8:1	ENP102/40	1		●
27	Piston ring set	ENR101	1		●
27	Piston ring set	ENR101/20	1		●
27	Piston ring set	ENR101/30	1		●
27	Piston ring set	ENR101/40	1		●
↓ GASKETS					
N/S	Complete engine set, 2.5 litre	ASS208	1		● ●
28	Complete engine set, 3.5 litre	ASS209	1		● ●
29	Sump gasket	C385	1		● ●
5	Washer on sump drain plug	C2296/1	1		● ●
30	Washer in cylinder block drain tap	C784	1		● ●
↓ COPPER WASHERS					
31	Washer on front oil filter mounting bolt	FW105/E	1		● ●
31	Washer on front & rear cover plates	FW105/E	1		● ●

MK4/MK5 CYLINDER BLOCK FIG.27

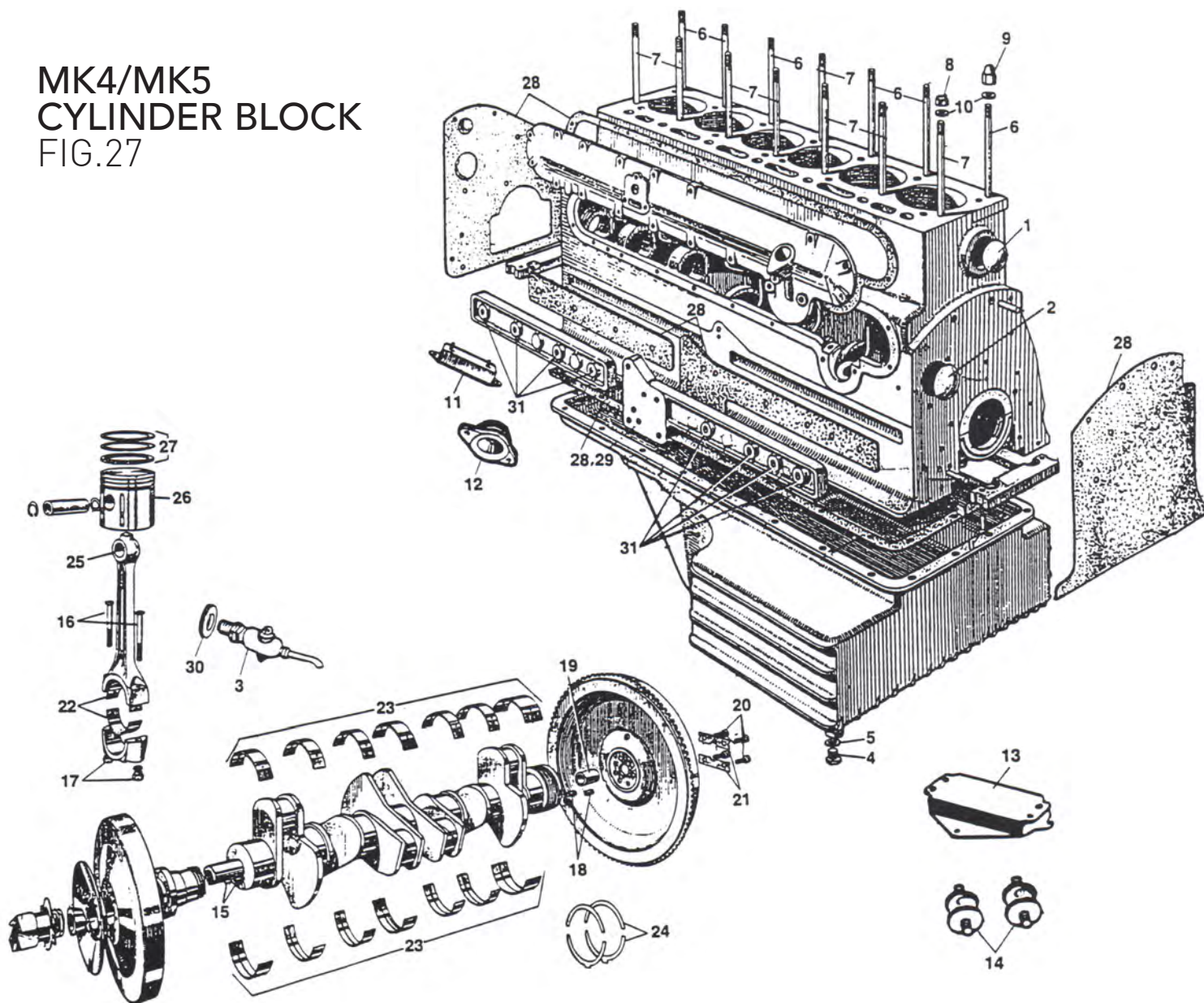




FIG.28 MK4/MK5 CYLINDER HEAD & TIMING GEAR

#	DESCRIPTION	PART#	REQ.	KIT	MODELS					
					MK4	MK5	MK7	MK8	MK9	
↓ TIMING GEAR										
1	Timing chain	C1614	1		●	●				
2	Crankshaft gear	C1612	1		●	●				
3	Camshaft gear	C1611/1	1		●	●				
4	Timing chain tensioner	C540	1		●	●				
5	Finger behind timing chain tensioner	C541	1		●	●				
6	Camshaft bearing, front	C352	1		●	●				
7	Camshaft bearing, intermediate & rear set	C324/C325	1		●	●				
↓ UPPER ENGINE										
↓ CYLINDER HEAD										
8	Core plug	C343	2		●	●				
N/S	Core plug	C317	1		●	●				
9	Core plug	C354	6		●	●				
N/S	Complete engine core plug kit	EN1019	1		●	●				
N/S	Water uptake manifold, 2.5 Litre	C693	1		●	●				
10	Water uptake manifold, 3.5 Litre	C520	1		●	●				
11	Oil filler cap	C1022	1		●	●				
↓ VALVE TRAIN										
12	Valves, intake & exhaust (sold as full set only)	C479/480	1		●	●				
13	Valve guides (sold as full set only)	C4201/C338	1		●	●				
14	Valve spring set	C1890/C2135	1		●	●				
15	Valve spring collar	C431	12		●	●				
16	Valve spring collets (pair)	EBC2997	12		●	●				
17	Valve adjusting screw & nut	C561/C369	12		●	●				
N/S	Push rod, 2.5 Litre	C693	12		●	●				
18	Push rod, 3.5 Litre	C2965	12		●	●				
19	Rocker shaft kit (Includes shaft, bushes & rocker arm wicks)	C508/A	1		●	●				
↓ GASKETS										
N/S	Complete head set, 2.5 Litre	ASS208	1		●	●				
20	Complete head set, 3.5 Litre	ASS209	1		●	●				
N/S	Head gasket, 2.5 Litre	C649	1		●	●				
21	Head gasket, 3.5 Litre	C337	1		●	●				
N/S	Rocker cover gasket, 2.5 Litre	C810	1		●	●				
22	Rocker cover gasket, 3.5 Litre	C457	1		●	●				
23	Oil filler cap gasket	C419	1		●	●				
24	Exhaust manifold gasket set, 3.5 Litre	C486/8	1		●	●				
25	Exhaust manifold to front downpipe gasket	C495	2		●	●				

MK4/MK5 CYLINDER HEAD & TIMING GEAR

FIG.28

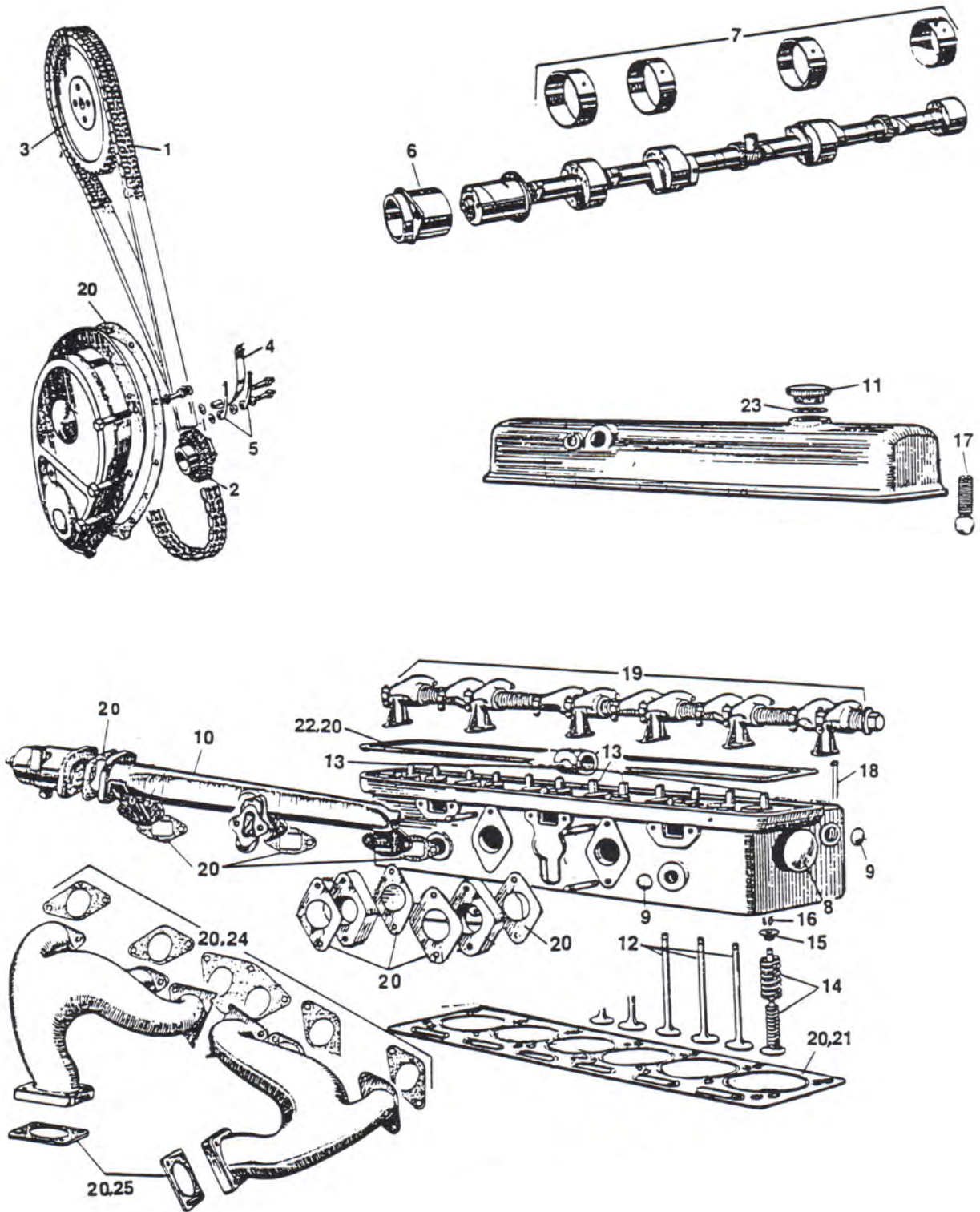




FIG.29 MK7/MK8/MK9 CYLINDER BLOCK

#	DESCRIPTION	PART#	REQ.	KIT	MODELS				
					MK4	MK5	MK7	MK8	MK9
↓ CYLINDER BLOCK									
1	Core plug kit	EN1001	1			●			
N/S	Core plug kit	EN1002	1					●	●
2	Cylinder block drain tap	C2354/1	1			●	●	●	
3	Sump drain plug, standard	C23435	1			●	●	●	
4	Sump drain plug, magnetic	C23435/M	1			●	●	●	
5	Cover plate for lower bell housing (manual gearbox)	C41664	1			●	●	●	
6	Slotted plug in front of oil gallery	C44034	1			●	●	●	
7	Cylinder head stud	C29035	13			●	●	●	
8	Cylinder head stud	C2270	1			●	●	●	
9	Felt seal on dipstick	C17585	1			●	●	●	
10	Timing pointer on oil sump	C8240	1			●	●	●	
11	Dip stick (to Engine no. B5304)	C2438/1	1			●			
N/S	Dip stick (from Engine no. B5305 to D6722)	C7486	1			●			
N/S	Dip stick (from Engine no. D6723)	C8781	1			●			
N/S	Dip stick	C8781	1					●	●
12	Dynamo bracket (to Engine no. D6722)	C2192	1			●			
N/S	Dynamo bracket (from Engine no. D6723)	C8619	1			●			
N/S	Dynamo bracket	C8619	1					●	
N/S	C45 Dynamo bracket	C13837	1						●
N/S	C48 Dynamo bracket	C16426	1						●
↓ ENGINE MOUNTS									
13	Front mount	C12677	2			●	●	●	
14	Rear mount	C18556	2			●	●	●	
N/S	Prop shaft centre bearing mount	C25389	2			●	●	●	
15	Overdrive bump stop	C8281	1			●	●		
N/S	Right Hand Front mounting bracket (to engine no. D6722)	C4790	1			●			
N/S	Left Hand Front mounting bracket (to engine no. D6722)	C4791	1			●			
16	Right Hand Front mounting bracket (from engine no. D6723)	C8616	1			●			
17	Left Hand Front mounting bracket (from engine no. D6723)	C8617	1			●			
16	Right Hand Front mounting bracket	C8616	1					●	●
17	Left Hand Front mounting bracket	C8617	1					●	●
18	Right Hand Rear bracket	C4467	1			●	●	●	
19	Left Hand Rear bracket	C4468	1			●	●	●	
↓ COPPER WASHERS									
20	Oil gallery plug washer	C2296/3	6			●	●	●	
21	Cylinder block drain tap washer	C2296/3	1			●	●	●	
22	Sump plug washer	C2296/1	1			●	●	●	
23	Rear gallery plug washer	C2296/2	1			●	●	●	
N/S	Washer for oil filter housing bolts	FW105/E	4			●	●	●	
↓ GASKETS & SEALS									
24	Sump gasket (two halves)	C19590	1			●	●	●	
25	Fibre washer on cylinder block drain tap	C784	A/R			●	●	●	
26	Timing cover gasket (two halves)	C8615	1			●	●	●	
27	Lower engine gasket set	CV1001	1			●			
N/S	Lower engine gasket set	CV1003	1					●	●
N/S	Front timing cover seal (to engine no. D6722, Asbestos rope type)	C2306	1			●			
28	Front timing cover seal (from engine no. D6723, Lipseal type)	EAC8815	1			●			
N/S	Front timing cover seal	EAC8815	1					●	●
29	Seal at rear of sump	C2302	1			●	●	●	
9	Felt seal on dipstick	C17585	1			●	●	●	
30	Lower seal kit (includes timing cover seal, oil pump o-rings, etc.)	10527	1			●	●	●	
31	Cork seal on distributor	C2430	1			●	●	●	

MK7/MK8/MK9 CYLINDER BLOCK
FIG.29

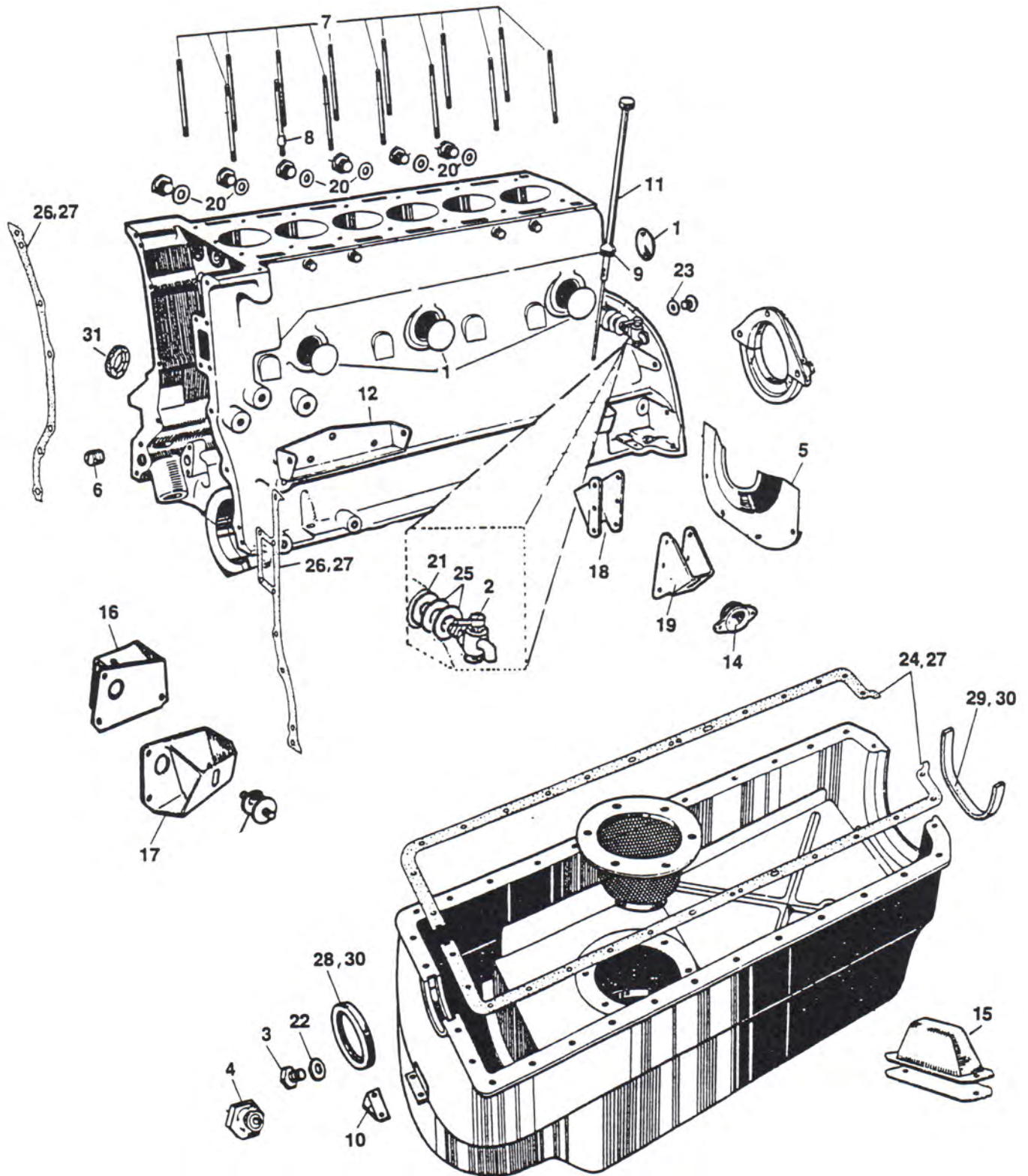




FIG.30 MK7/MK8/MK9 CRANKSHAFT & RELATED ITEMS

#	DESCRIPTION	PART#	REQ.	KIT	MODELS				
					MK4	MK5	MK7	MK8	MK9
↓ CRANKSHAFT & RELATED ITEMS									
1	Woodruff key at front of crankshaft	C757	3			●	●	●	
2	Tab washer on crankshaft damper bolt	C2467	1			●	●	●	
3	Damper securing bolt	C2468	1			●	●	●	
4	Crankshaft damper cone	C2466	1			●	●	●	
5	Crankshaft damper (Rebuild service)	RB1012	1			●	●	●	
6	Oil slinger behind front seal	C23701	1			●	●	●	
7	Crankshaft V-belt pulley (from engine no. N1001)	C7275	1			●			
N/S	Crankshaft V-belt pulley	C7275	1					●	
N/S	Crankshaft V-belt pulley	C14589	1						●
8	Socket headed plug for crankshaft sludge traps	C4283	6			●	●	●	
9	Connecting rod nut (cotterless type)	EAC5541	12			●	●	●	
10	Connecting rod bolt	C32344	12			●	●	●	
11	Piston Gudgeon pin	C26629	6			●	●	●	
12	Circlip securing gudgeon pins	C3964	12			●	●	●	
13	Flywheel dowel securing pressure plate	C1782	2			●	●	●	
14	Spigot bearing in rear of crankshaft (manual gearbox)	C2226	1			●	●	●	
15	Flywheel securing bolts	C4855	10			●	●	●	
16	Locking plate for flywheel bolts	C4810	1			●	●	●	
17	Flywheel ring gear	EN1013	1			●	●	●	
↓ CRANKSHAFT BEARINGS									
18	Connecting rod bearing set, Standard	ENB103	1			●	●	●	
N/S	Connecting rod bearing set, -0.010"	ENB103/10	1			●	●	●	
N/S	Connecting rod bearing set, -0.020"	ENB103/20	1			●	●	●	
N/S	Connecting rod bearing set, -0.030"	ENB103/30	1			●	●	●	
19	Main bearing set, Standard	ENB102	1			●	●	●	
19	Main bearing set, -0.010"	ENB102/10	1			●	●	●	
19	Main bearing set, -0.020"	ENB102/20	1			●	●	●	
19	Main bearing set, -0.030"	ENB102/30	1			●	●	●	
20	Thrust washer set, standard	C34744	1			●	●	●	
20	Thrust washer set, 0.004" oversize	C34744/1	1			●	●	●	
20	Thrust washer set, 0.008" oversize	C34744/2	1			●	●	●	
21	Small end (gudgeon pin) bush, set of six	C17164	1			●	●	●	
↓ PISTONS									
22	Piston set (3.4 Litre) Compression ratio 8:1, STD	ENP104	1			●	●	●	
22	Piston set (3.4 Litre) Compression ratio 8:1, +0.020"	ENP104/20	1			●	●	●	
22	Piston set (3.4 Litre) Compression ratio 8:1, +0.030"	ENP104/30	1			●	●	●	
22	Piston set (3.4 Litre) Compression ratio 8:1, +0.040"	ENP104/40	1			●	●	●	
22	Piston set (3.8 Litre) Compression ratio 8:1, STD	ENP107	1			●	●	●	
22	Piston set (3.8 Litre) Compression ratio 8:1, +0.020"	ENP107/20	1			●	●	●	
22	Piston set (3.8 Litre) Compression ratio 8:1, +0.030"	ENP107/30	1			●	●	●	
22	Piston set (3.8 Litre) Compression ratio 8:1, +0.040"	ENP107/40	1			●	●	●	
22	Piston set (3.8 Litre) Compression ratio 9:1, STD	ENP108	1			●	●	●	
22	Piston set (3.8 Litre) Compression ratio 9:1, +0.020"	ENP108/20	1			●	●	●	
22	Piston set (3.8 Litre) Compression ratio 9:1, +0.030"	ENP108/30	1			●	●	●	
22	Piston set (3.8 Litre) Compression ratio 9:1, +0.040"	ENP108/40	1			●	●	●	
23	Piston ring set (3.4 Litre) STD	ENR102	1			●	●	●	
23	Piston ring set (3.4 Litre) +0.020"	ENR102/20	1			●	●	●	
23	Piston ring set (3.4 Litre) +0.030"	ENR102/30	1			●	●	●	
23	Piston ring set (3.4 Litre) +0.040"	ENR102/40	1			●	●	●	
23	Piston ring set (3.8 Litre) STD	ENR103	1			●	●	●	
23	Piston ring set (3.8 Litre) +0.020"	ENR103/20	1			●	●	●	
23	Piston ring set (3.8 Litre) +0.030"	ENR103/30	1			●	●	●	
23	Piston ring set (3.8 Litre) +0.040"	ENR103/40	1			●	●	●	

MK7/MK8/MK9 CRANKSHAFT & RELATED ITEMS
FIG.30

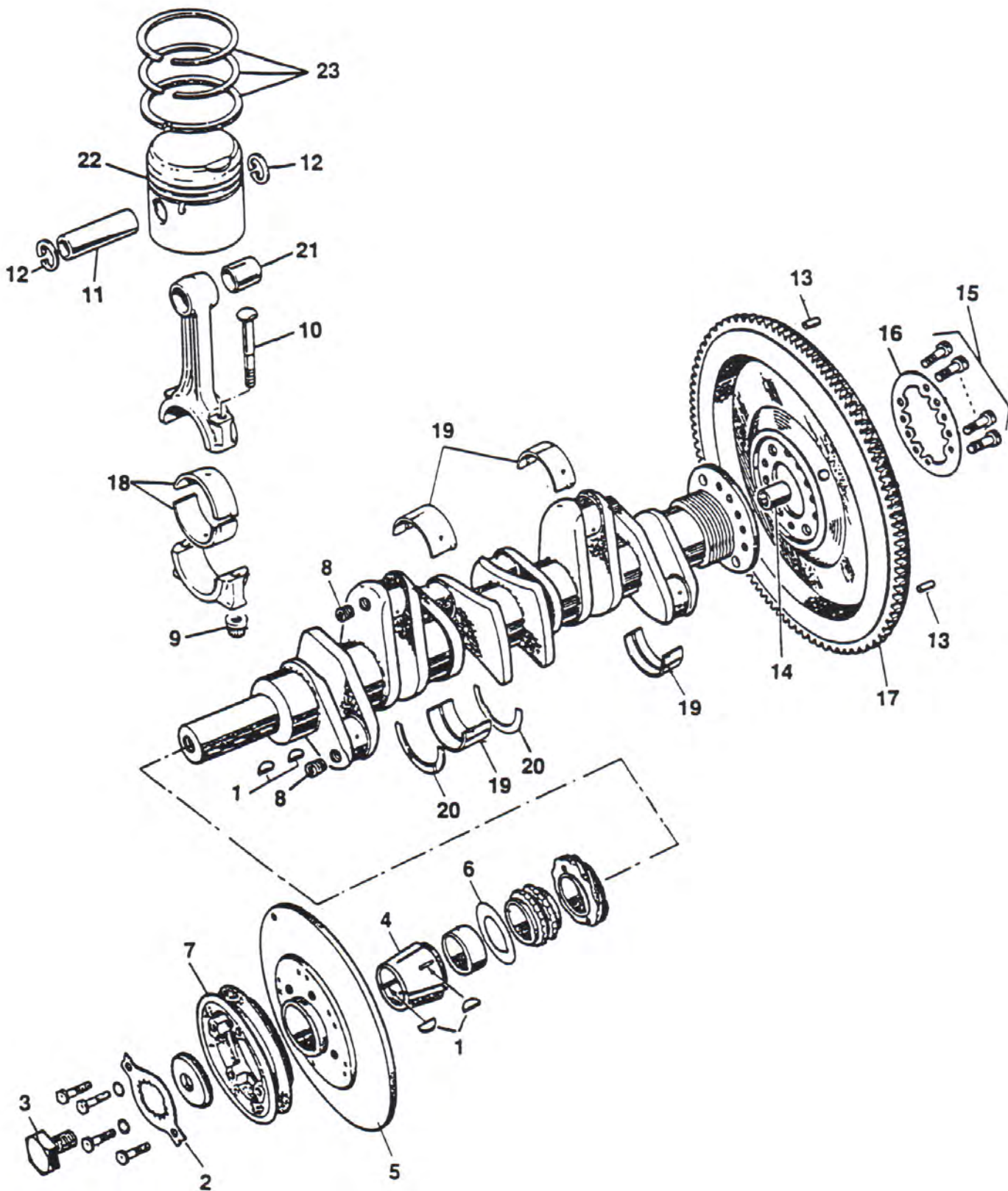
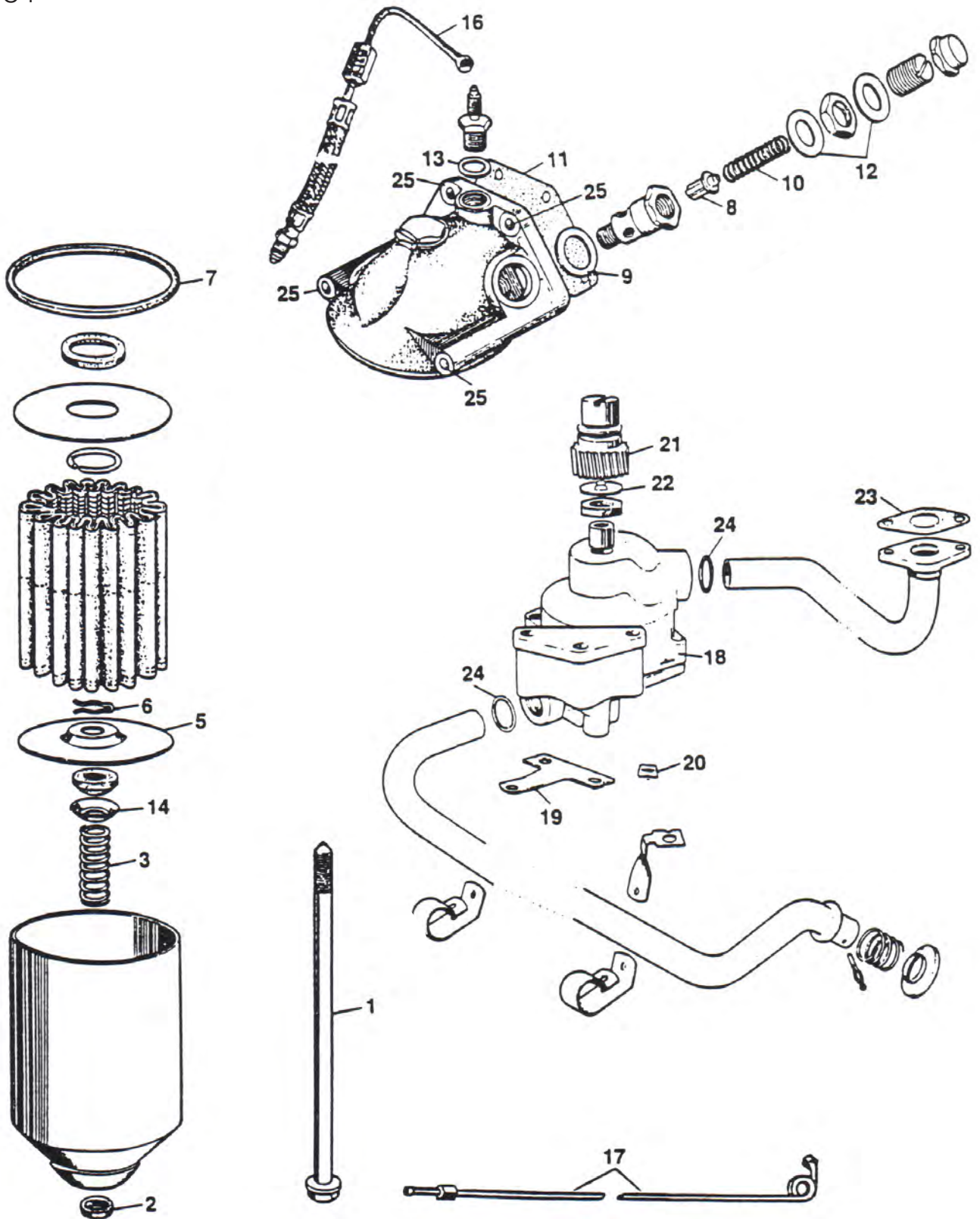




FIG.31 MK7/MK8/MK9 OIL FILTER

#	DESCRIPTION	PART#	REQ.	KIT	MODELS				
					MK4	MK5	MK7	MK8	MK9
↓ FILTER HEAD									
1	Filter canister bolt (from engine no. N2942)	6113	1				●		
1	Filter canister bolt	2728	1					●	●
2	Sealing washer under bolt head	2728	1				●	●	●
3	Spring in base of canister (from engine no. N2942)	6159	1				●		
3	Spring in base of canister	6159	1					●	●
5	Lower pressure plate (from engine no. N2942)	6770	1				●		
5	Lower pressure plate	6770	1					●	●
6	Spring clip on bolt (from engine no. N2942)	6033	1				●		
6	Spring clip on bolt	6033	1					●	●
7	Canister sealing ring (from engine no. N2942)	5180	1				●		
7	Canister sealing ring	5180	1					●	●
8	Pressure relief valve (from engine no. N2942)	7310	1				●		
8	Pressure relief valve	7310	1					●	●
9	Sealing washer under relief valve (from engine no. N2942)	2730	1				●		
9	Sealing washer under relief valve	2730	1					●	●
10	Relief valve spring	7315	1				●	●	●
11	Gasket between filter head and cylinder block	C2248	1				●		
N/S	Gasket between filter head and cylinder block	C14817	1					●	●
12	Sealing washer under relief valve lock nut	C1088/J	2				●	●	●
13	Sealing washer on oil pipe adaptor	2747	1				●	●	●
N/S	Dished washer	2737	1				●	●	●
16	Flexible hose from filter head to gauge pipe	C8068	1				●	●	●
17	Oil pipe from flexible hose to gauge	1425	1				●	●	●
↓ OIL PUMP									
18	Oil pump (from engine no. N1001) -4.2 style, use with adaptor ENG105	C21765/2	1				●		
18	Oil pump -4.2 style, use with adaptor ENG105	C21765/2	1					●	●
N/S	Adaptor to convert 4.2 pump for use with 3.4 & 3.8 engine	ENG105	1				●	●	●
19	Tab washer on oil pump mounting bolts (3 hole)	C8665	1				●	●	●
20	Tab washer on oil pump mounting bolts (1 hole)	C7263	3				●	●	●
N/S	Tab washer for oil discharge pipe to cylinder block screws	C7623	2				●	●	●
21	Helical gear for distributor drive	C2152	1				●	●	●
22	Tab washer on helical gear	C2151	1				●	●	●
23	Gasket between oil pump discharge tube & cylinder block	C2220	1				●	●	●
N/S	Gasket between oil pump tubes & pump (to engine no. N1001)	C2220	2				●		
24	O-ring in pump for tubes (from engine no. D9999)	C8649	2				●		
24	O-ring in pump for tubes	C8649	2					●	●
25	Copper washer under filter head mounting bolts	FW105/E	4				●	●	●

MK7/MK8/MK9
OIL FILTER
FIG.31



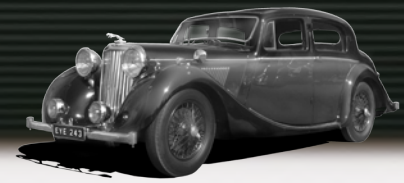
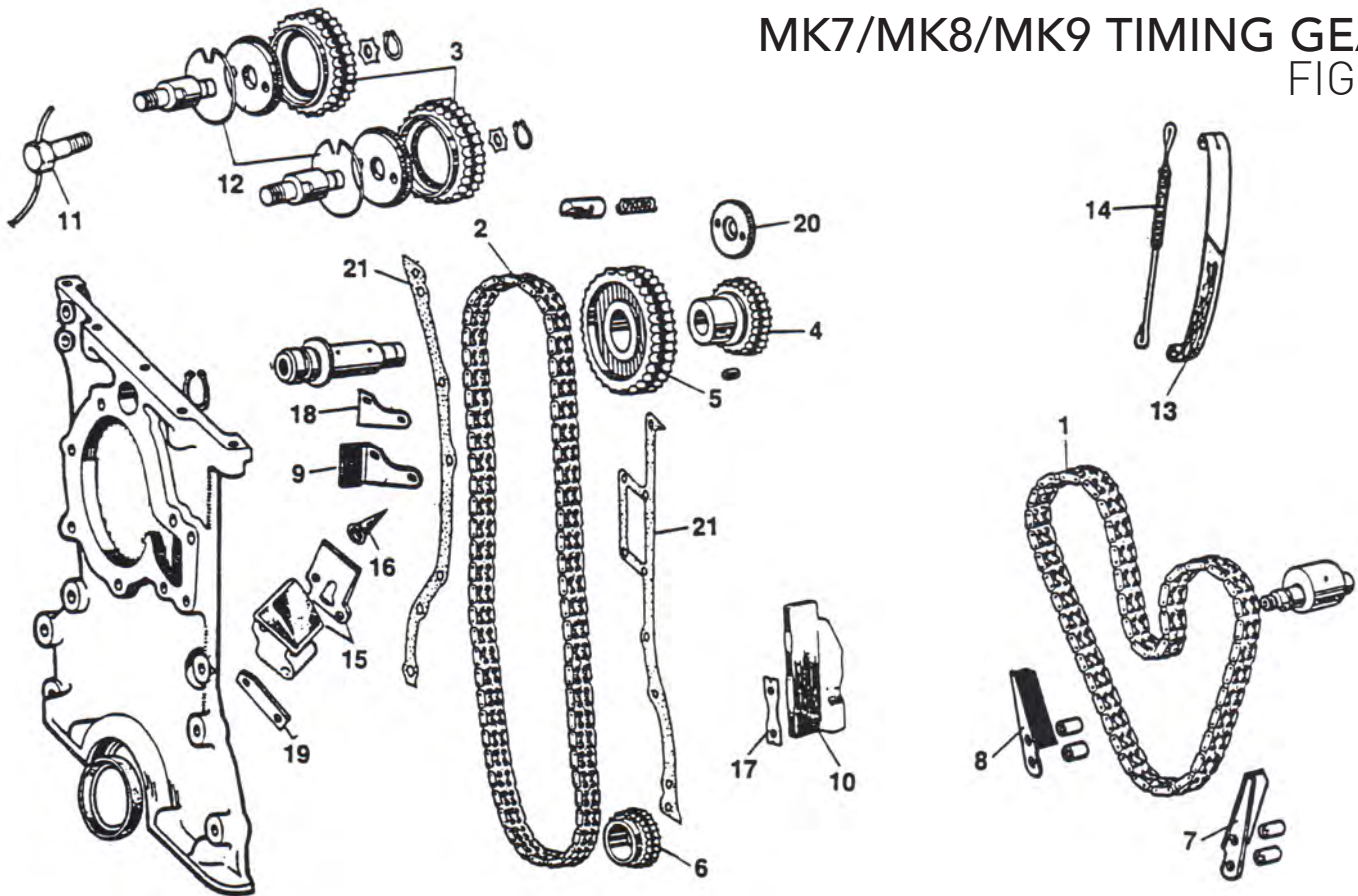


FIG.32 MK7/MK8/MK9 TIMING GEAR

#	DESCRIPTION	PART#	REQ.	KIT	MODELS					
					Mk4	Mk5	Mk7	Mk8	Mk9	
↓ TIMING GEAR										
1	Upper timing chain	C2256	1			●	●	●		
2	Lower timing chain	C2255	1			●	●	●		
3	Cam shaft (upper) sprocket	C24686	2			●	●	●		
4	Small intermediate sprocket	C26740	1			●	●	●		
5	Large intermediate sprocket	C25275	1			●	●	●		
6	Crankshaft (lower) sprocket	C2170	1			●	●	●		
N/S	Intermediate sprocket bush (small)	C2319/1	1			●	●	●		
N/S	Intermediate sprocket bush (large)	C2320	1			●	●	●		
7	Upper chain guide, LH	C13616	1			●	●	●		
8	Upper chain guide, RH	C13617	1			●	●	●		
9	Intermediate guide	C13615/1	1			●	●	●		
10	Lower guide	C13614/1	1			●	●	●		
11	Bolt securing cam chain sprocket to cam	JZB100042	4			●	●	●		
12	Circlip for camshaft sprockets	C30767	2			●	●	●		
13	Chain tensioner blade (to engine no. D9868)	C8245	1			●				
14	Chain tensioner spring (to engine no. D9868)	C4101	1			●				
15	Hydraulic chain tensioner (from engine no. D9869)	EAC3629	1			●				
15	Hydraulic chain tensioner	EAC3629	1				●	●		
16	Gauze filter behind hydraulic tensioner	C13457	1			●	●	●		
17	Lower guide lock tab	C21831	1				●	●		
18	Intermediate guide lock tab	C20397	1				●	●		
19	Hydraulic tensioner lock tab (from engine no. D9869)	C10333	1			●				
19	Hydraulic tensioner lock tab	C10333	1				●	●		
20	Upper chain serrated adjuster wheel	C4404	1			●	●	●		
21	Timing cover gasket, 2 parts	C8615	1			●	●	●		

MK7/MK8/MK9 TIMING GEAR
FIG.32



UK
BRIDGNORTH
+44 (0) 1746 765 432
sales.uk@sngbarratt.com

USA
MANCHESTER, NH
+1 800 452 4787 (toll free)
sales.usa@sngbarratt.com

HOLLAND
OISTERWIJK
+31 (0) 13 521 1552
sales.nl@sngbarratt.com

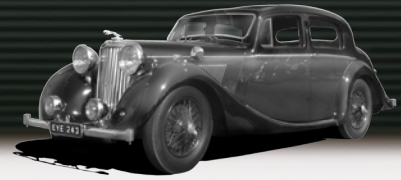
FRANCE
CHARNAY-LÈS-MÂCOI
+33 (0) 3 85 20 14 20
sales.fr@sngbarratt.com

FIG.33 MK7/MK8/MK9 VALVE TRAIN

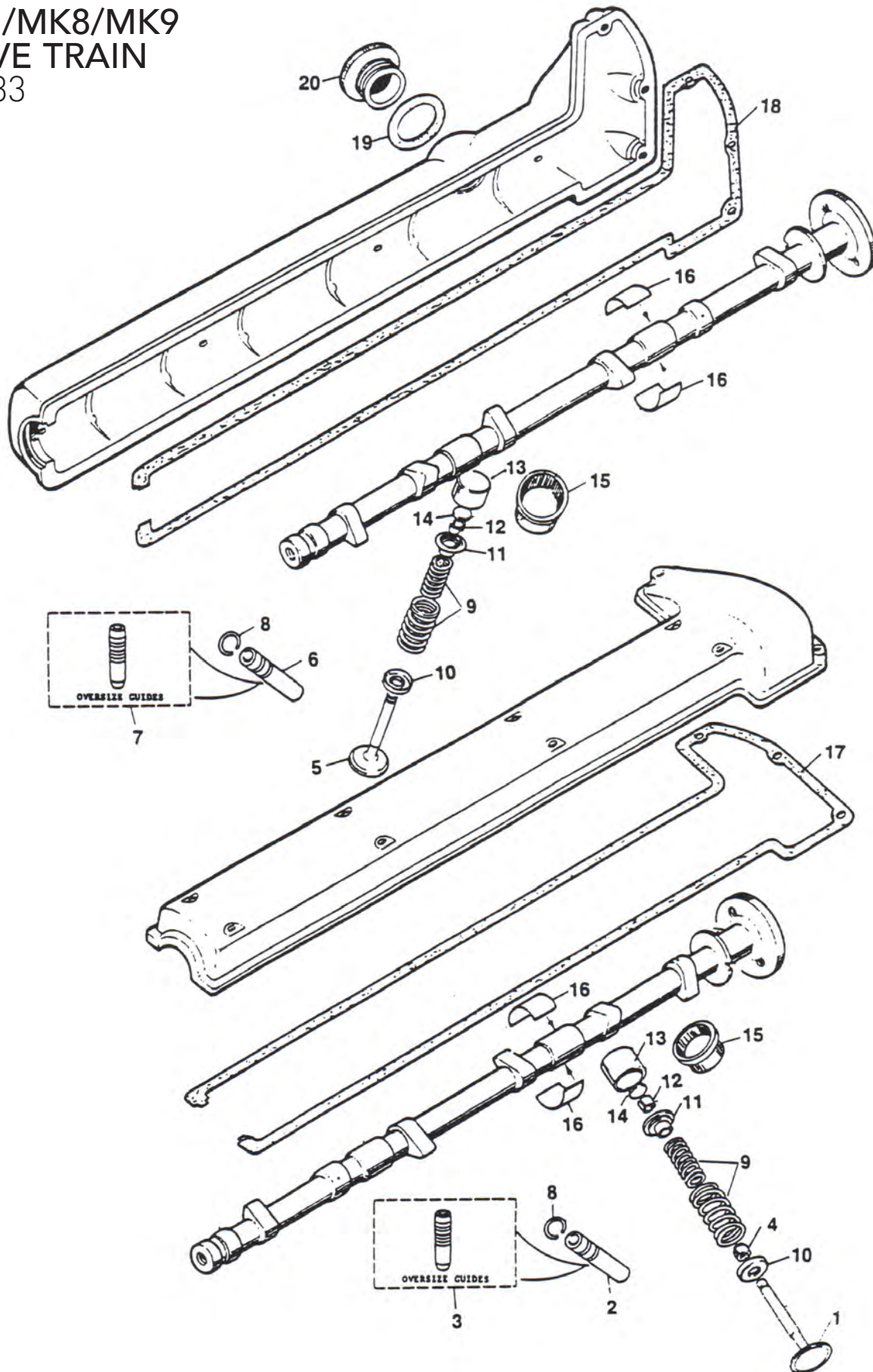
#	DESCRIPTION	PART#	REQ.	KIT	MODELS				
					MK4	MK5	MK7	MK8	MK9
↓ CYLINDER HEAD									
1	Inlet valve (to engine no. D1078) not 'C' type head	C2246	6				●		
1	Inlet valve (from engine no. D1079) & 'C' type head	EAC1547	6				●		
2	Inlet valve guide, STD (0.502" OD)	ENG102	6				●	●	●
3	Inlet valve guide, oversize (0.507" OD)	ENG102/1	6				●	●	●
4	Inlet valve stem seal, latest type	EBC3531	6				●	●	●
N/S	Inlet valve seat	C29122	6				●	●	●
5	Exhaust valve (to engine no. D1113) not 'C' type head	C2247	6				●		
5	Exhaust valve (from engine no. D1114) & 'C' type head	C2247	6				●		
6	Exhaust valve guide, STD (0.502" OD)	ENG103	6				●	●	●
7	Exhaust valve guide, oversize (0.507" OD)	ENG103	6				●	●	●
8	Valve guide snap ring	EBC1782	12				●	●	●
9	Valve springs, intake & exhaust (one pair)	C1782	12					●	●
10	Valve spring seat	C27481	12				●	●	●
11	Valve spring collar	C27840	12				●	●	●
12	Valve spring collet	EBC2997	12				●	●	●
13	Valve tappet	C44010	12				●	●	●
14	Valve adjustment pallet shim - letter A (0.085")	C2243A	A/R				●	●	●
14	Valve adjustment pallet shim - letter B (0.086")	C2243B	A/R				●	●	●
14	Valve adjustment pallet shim - letter C (0.087")	C2243C	A/R				●	●	●
14	Valve adjustment pallet shim - letter D (0.088")	C2243D	A/R				●	●	●
14	Valve adjustment pallet shim - letter E (0.089")	C2243E	A/R				●	●	●
14	Valve adjustment pallet shim - letter F (0.090")	C2243F	A/R				●	●	●
14	Valve adjustment pallet shim - letter G (0.091")	C2243G	A/R				●	●	●
14	Valve adjustment pallet shim - letter H (0.092")	C2243H	A/R				●	●	●
14	Valve adjustment pallet shim - letter I (0.093")	C2243I	A/R				●	●	●
14	Valve adjustment pallet shim - letter J (0.094")	C2243J	A/R				●	●	●
14	Valve adjustment pallet shim - letter K (0.095")	C2243K	A/R				●	●	●
14	Valve adjustment pallet shim - letter L (0.096")	C2243L	A/R				●	●	●
14	Valve adjustment pallet shim - letter M (0.097")	C2243M	A/R				●	●	●
14	Valve adjustment pallet shim - letter N (0.098")	C2243N	A/R				●	●	●
14	Valve adjustment pallet shim - letter O (0.099")	C2243O	A/R				●	●	●
14	Valve adjustment pallet shim - letter P (0.100")	C2243P	A/R				●	●	●
14	Valve adjustment pallet shim - letter Q (0.085")	C2243Q	A/R				●	●	●
14	Valve adjustment pallet shim - letter R (0.085")	C2243R	A/R				●	●	●
14	Valve adjustment pallet shim - letter S (0.085")	C2243S	A/R				●	●	●
14	Valve adjustment pallet shim - letter T (0.085")	C2243T	A/R				●	●	●
14	Valve adjustment pallet shim - letter U (0.085")	C2243U	A/R				●	●	●
14	Valve adjustment pallet shim - letter V (0.085")	C2243V	A/R				●	●	●
14	Valve adjustment pallet shim - letter W (0.085")	C2243W	A/R				●	●	●
14	Valve adjustment pallet shim - letter X (0.085")	C2243X	A/R				●	●	●
14	Valve adjustment pallet shim - letter Y (0.085")	C2243Y	A/R				●	●	●
14	Valve adjustment pallet shim - letter Z (0.085")	C2243Z	A/R				●	●	●
15	Tappet guide	C7262	12				●	●	●
N/S	Tappet guide hold-down kit (recommended for all rebuilds)	JRT604020	1				●	●	●
16	Camshaft bearing set	RTC2347	1				●	●	●
17	Inlet cam cover gasket	C6735/1	1				●	●	
N/S	Inlet cam cover gasket (without tachometer generator)	C6735/1	1						●
N/S	Inlet cam cover gasket (with tachometer generator)	C14988/1	1						●
18	Exhaust cam cover gasket	C6735/1	1				●	●	●
19	Oil filler cap gasket	C419	1				●	●	●
20	Oil filler cap	C1022	1				●	●	●

Valve Guides

Silicon-bronze valve guides are self lubricating and long lasting. Installation of the guides enables unleaded fuel to be used without harmful effects to the cylinder head. The intake valves are grooved to accept valve stem oil seals, as used in later engines.



MK7/MK8/MK9 VALVE TRAIN FIG.33



 **UK**
BRIDGNORTH
+44 (0) 1746 765 432
sales.uk@sngbarratt.com

 **USA**
MANCHESTER, NH
+1 800 452 4787 (toll free)
sales.usa@sngbarratt.com

 **HOLLAND**
OISTERWIJK
+31 (0) 13 521 1552
sales.nl@sngbarratt.com

 **FRANCE**
CHARNAY-LÈS-MÂCOI
+33 (0) 3 85 20 14 20
sales.fr@sngbarratt.com

FIG.34 MK7/MK8/MK9 CYLINDER HEAD

#	DESCRIPTION	PART#	REQ.	KIT	MODELS				
					MK4	MK5	MK7	MK8	MK9
↓ CYLINDER HEAD									
1	Tachometer cable adaptor	C2153/1	1			●	●		
1	Tachometer cable adaptor (to engine no. NC3908)	C2153/1	1						●
2	Tachometer cable drive	C2176	1			●	●		
2	Tachometer cable drive (to engine no. NC3908)	C2176	1						●
3	Tachometer generator (from engine no. NC3909)	C14996	1						●
4	Tachometer drive dog (from engine no. NC3909)	C25426	1						●
5	Cam adaptor for tachometer generator (engine no. NC3909)	C16771	1						●
N/S	Anti-blowback valve (to engine no. N4698)	C4204	1			●			
N/S	Return spring for valve (to engine no. B2916)	C4205	1			●			
N/S	Return spring for valve (from engine no. B2917 to N4698)	C7470	1			●			
N/S	Sleeve for spring (from engine no. D5418 to N4698)	C8455	1			●			
6	Vacuum check valve for windscreen washer assembly	C11490	1			●	●	●	
7	Cylinder head core plug	C317	2			●	●	●	
8	Flexible breather pipe	C2485/1	1			●	●	●	
9	Clamp for flexible breather pipe	CS100X	1			●	●	●	
10	Clip for flexible breather pipe	C1040/20	1			●	●	●	
11	Oil feed pipe	C25619	1			●	●	●	
12	Banjo bolt for oil feed pipe	C5846	3			●	●	●	
13	Exhaust manifold, front	C2213	1			●	●		
14	Exhaust manifold, rear	C2214	1			●	●		
15	Cylinder head washer, round	FW207/T	4			●	●	●	
16	Adaptor in inlet manifold for thermocouple bulb	C9621	1			●	●	●	
17	Copper sealing washer for adaptor	C2296/1	1			●	●	●	
↓ STUDS									
18	Stud for cam bearing caps	C2326	16			●	●	●	
19	Stud at gasket face in front of head	C2189	4			●	●	●	
20	Stud for cam cover	C6727/2	6			●	●	●	
21	Stud for crank-case breather	C6727	4			●	●	●	
22	Mounting stud for exhaust manifold	C11761	16			●	●	●	
N/S	Brass nut for manifold studs	NN131/Q	16			●	●	●	
23	Stud in manifold securing down pipes, mild steel	C2369	8			●	●	●	
23	Stud in manifold securing down pipes, stainless steel	C2369/SS	8			●	●	●	
N/S	Downpipe stud nut (self locking) mild steel	C17916	8			●	●	●	
N/S	Downpipe stud nut (self locking) stainless steel	C1791/SS	8			●	●	●	
N/S	Downpipe stud nut washer	FW106/T	8			●	●	●	
↓ CHROME HARDWARE									
24	Cylinder head acorn nut	C2328	14			●	●	●	
25	Cylinder head nut 'D' washer	C2385	10			●	●	●	
26	Cam cover & breather cover acorn nut	C2327	26			●	●	●	
27	Clip for spark plug wires on intake cam cover	C4982	1			●	●	●	
N/S	Cylinder head nut & washer kit	CR1050	1			●	●	●	
↓ GASKETS & SEALS									
28	Head gasket, 3.4 Litre	C19112	1			●	●	●	
28	Head gasket, 3.8 Litre	C19113	1						●
29	Inlet cam cover gasket (no tachometer drive)	C6735/1	1			●	●		
29	Inlet cam cover gasket, (to engine no. NC3908)	C6735/1	1						●
29	Inlet cam cover gasket, with tachometer drive (from engine no. NC3908)	C14988/1	1			●	●		
30	Exhaust cam cover gasket	C6735/1	1			●	●	●	
31	Inlet manifold gasket	C7619	1			●	●	●	
32	Crankcase breather gasket	C2227	2			●	●	●	
N/S	Gasket on oil filler cap	C419	1			●	●	●	
33	Exhaust manifold gasket	C2318	2			●	●	●	
34	Gasket between exhaust manifold & down pipe	C495	2			●	●		
34	Gasket between exhaust manifold & downpipe (to engine no. 775032)	C495	2						●



FIG.34 MK7/MK8/MK9 CYLINDER HEAD

#	DESCRIPTION	PART#	REQ.	KIT	MODELS					
					MK4	MK5	MK7	MK8	MK9	
35	Downpipe sealing ring	CBC4834	2						●	
36	Thermostat housing gasket	C4985	1				●	●	●	
37	Coolant rail gasket	C12309	4					●	●	
38	Gasket for thermostatic choke switch	C2475	1				●	●	●	
39	Engine upper gasket set, 3.4 Litre	DC1002	1				●	●	●	
39	Engine upper gasket set, 3.8 Litre	DC1003	1						●	
	↓SEALS & O-RINGS									
40	O-ring on plug at rear of head	C2312	2				●			
40	O-ring on plug at rear of head (to engine no. NC3908)	C2312	2						●	
40	O-ring on plug at rear of head (from engine no. NC3909)	C2312	1						●	
41	O-ring on tachometer generator (from engine no. NC3909)	C14990	1						●	
42	Half moon seal at rear of inlet camshaft (from engine no. NC3909)	C14991	1						●	
N/S	Seal in tachometer drive adaptor	C2428	1				●	●		
N/S	Seal in tachometer drive adaptor (to engine no. NC3908)	C2428	1						●	
	↓COPPER SEALING WASHERS									
43	Copper washer under cam cover nuts	FW104/E	22				●	●	●	
44	Copper washer under crankcase breather cover nuts	FW104/E	4				●	●	●	
45	Copper washer for plugs at rear of head	FW104/E	4				●	●		
45	Copper washer for plugs at rear of head (to engine no. NC3908)	FW104/E	4						●	
45	Copper washer for plugs at rear of head (from engine no. NC3909)	FW104/E	2						●	
46	Copper washer on cylinder head front studs	FW105/E	4				●	●	●	
47	Special copper washer on oil line banjo bolts	C4146	6				●	●	●	
17	Copper washer on thermocouple adaptor	C2296/1	1				●	●	●	
	↓V-BELTS									
N/S	Drive belt	C531	1				●	●		
N/S	Drive belt (from engine no. A1001 to A2000)	C2240	1					●		
N/S	Drive belt (from engine no. A2001 to A9999 & B1001 to B2916)	C5056	1					●		
N/S	Drive belt (from engine no. B2917)	C7898	1					●		
N/S	Drive belt	C7898	1						●	
N/S	Drive belt, for use with C45 dynamo	C14535/2	1						●	
N/S	Drive belt, for use with C48 dynamo	C16395	1						●	
	↓PROP SHAFT									
N/S	Prop shaft universal joint	46	2				●			
N/S	Prop shaft universal joint	46	3				●	●	●	
N/S	Prop shaft centre bearing	250	1				●	●	●	
N/S	Rubber insulator for centre bearing mount	C25389	2				●	●	●	
N/S	Stud through insulator	C3929	2				●	●	●	

MK7/MK8/MK9 CYLINDER
HEAD
FIG.34

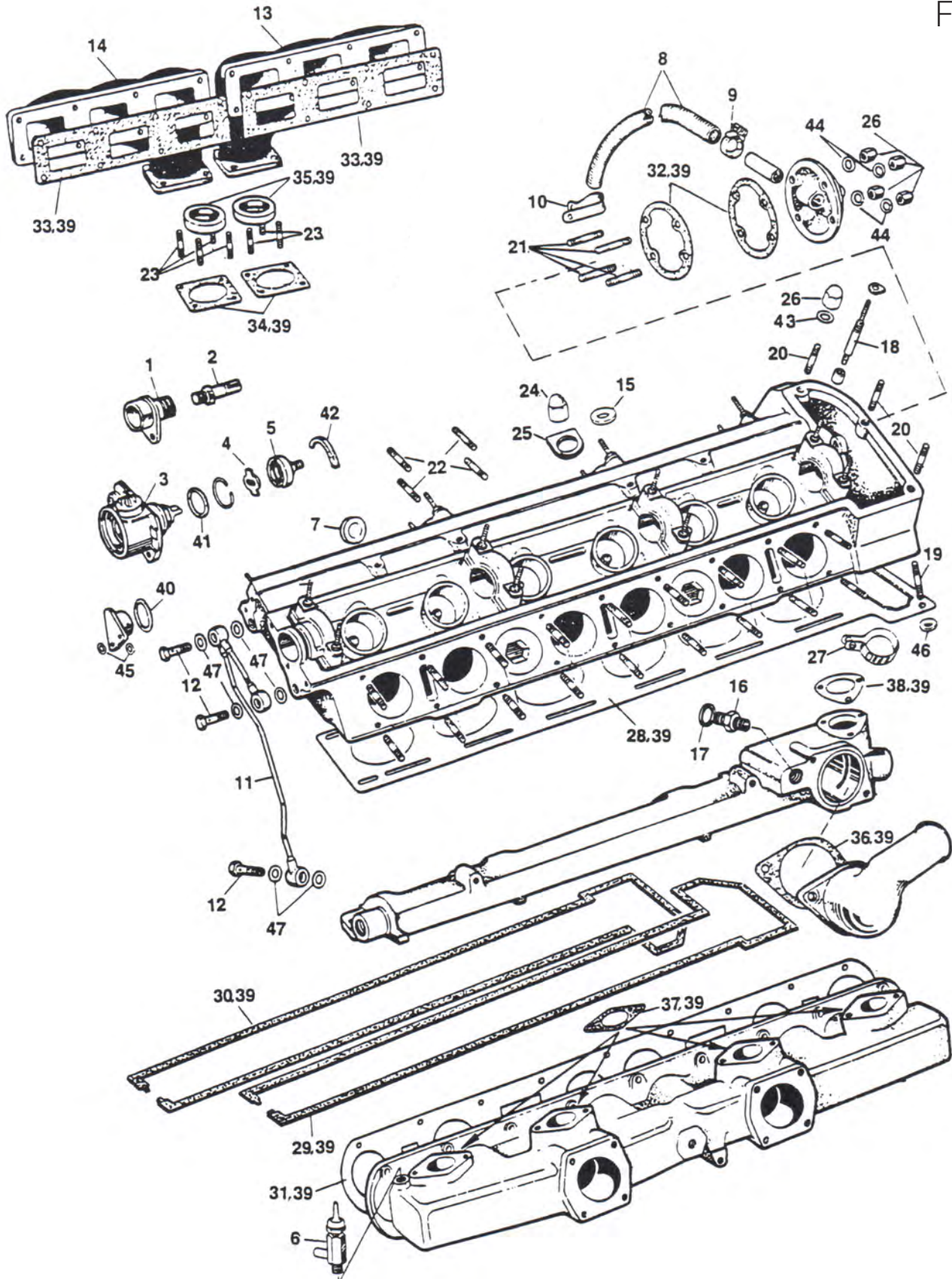


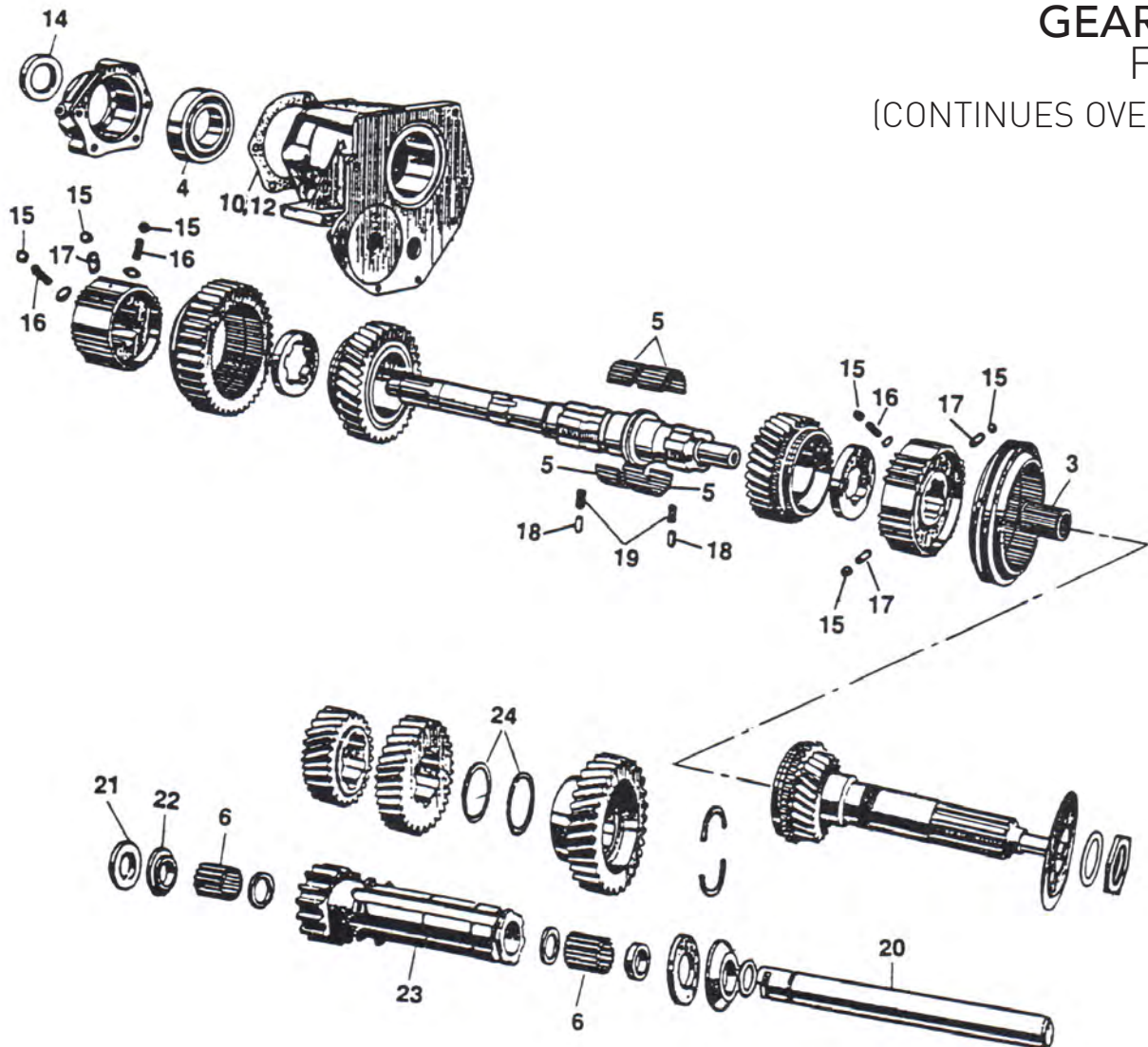


FIG.35 GEARBOX

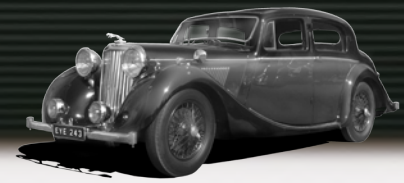
#	DESCRIPTION	PART#	REQ.	KIT	MODELS				
					MK4	MK5	MK7	MK8	MK9
↓ BEARINGS									
1	Primary shaft bearing	C1838	1		●	●	●	●	●
2	Rear, mainshaft bearing	C1845/1	1		●	●	●	●	●
3	Needle bearing, for mainshaft pinion	C1843	1		●	●	●	●	●
4	Rear extension bearing	C924	1		●	●			
4	Rear extension bearing for gearbox with prefix SH & JH	C924	1				●		
5	Mainshaft needle rollers	C1850/1	82		●	●	●	●	●
6	Layshaft needle rollers	C38573	58		●	●	●	●	●
↓ GASKETS									
7	Top cover gasket	C860	1		●	●	●	●	●
7	Top cover gasket for JLN gearbox, O/D transmission	C860	2				●		
7	Top cover gasket, O/D transmission	C860	2					●	●
8	Front gasket	C1834	1		●	●	●	●	●
9	Rear gasket	C1866	1		●	●	●	●	●
10	Rear extension gasket	C862	1		●	●			
10	Rear extension gasket for gearbox codes: JH, SH, JLN/JS & JL/JS	C862	1				●		
11	Fibre plug at end of layshaft	C920	1		●	●	●	●	●
12	Gasket kit	ENT101/A	1		●	●	●	●	●
↓ SEALS									
13	Front seal	C6738	1		●	●	●		
13	Front seal for gearbox codes: SL, JL, OSL, JLN, JL/CR & JLN/CR	C6738	1					●	●
13	Front seal for gearbox codes: JH, SH, JLN/JS & JL/JS	c11934	1					●	●
14	Rear seal (none overdrive)	C859	1		●	●	●	●	●
14	Rear seal (overdrive)	7980	1				●	●	●
↓ SYNCHROS									
15	Detent ball	C922	15		●	●	●	●	●
16	Detent ball spring	C900	12		●	●	●	●	●
17	Synchro plunger	C901/1	3		●	●	●	●	●
18	Synchro plunger	C1849	2		●	●	●	●	●
19	Synchro plunger spring	C1324	2		●	●	●	●	●
↓ MISCELLANEOUS									
20	Lay shaft	C25453	1		●	●	●	●	●
21	Inner lay shaft thrust washer, 0.152"	C1862/3	1		●	●	●	●	●
21	Inner lay shaft thrust washer, 0.156"	C1862	1		●	●	●	●	●
21	Inner lay shaft thrust washer, 0.159"	C1862/1	1		●	●	●	●	●
21	Inner lay shaft thrust washer, 0.162"	C1862/2	1		●	●	●	●	●
21	Inner lay shaft thrust washer, 0.164"	C1862/4	1		●	●	●	●	●
22	Outer thrust washer	C1861	1		●	●	●	●	●
23	First gear, for use with individual cluster gears	C2041	1			●			
23	First gear, use with individual cluster gears (JH & JL gearbox)	C2041	1				●		
23	First gear, use with individual cluster gears (JL/CR & JLN/CR gearbox)	C2041	1					●	
24	Snap ring on first gear	C2072	2			●			
24	Snap ring on first gear (for JH & JL gearbox)	C2072	2				●		
24	Snap ring on first gear (for JL/CR & JLN/CR gearbox)	C2072	2					●	
↓ TOP COVER									
25	Striker gear plunger ball	C922	1		●	●	●	●	●
26	Plunger ball spring	C900	1		●	●	●	●	●
27	Felt washer in top cover	C929	3		●	●	●	●	●
28	Core plug in top cover	C315	1		●	●	●	●	●
29	Felt seal in rear cover (SH & JH gearbox)	C921	1		●	●			
29	Felt seal in rear cover (SL gearbox)	C921	1				●		
N/S	Gear lever	C2462	1		●	●			
30	Gear lever	C4054	1				●	●	●
31	Gear lever bush	C1915	2		●	●	●	●	●
32	Drain plug (SH gearbox)	C1915	1		●				

FIG.35 GEARBOX

#	DESCRIPTION	PART#	REQ.	KIT	MODELS				
					Mk4	Mk5	Mk7	Mk8	Mk9
32	Drain plug (JH gearbox, magnetic)	C23435/M	1		●	●	●	●	●
33	Washer on drain plug	C2296/1	1		●	●	●	●	●
34	Oil level plug (JLN, JL & OSL gearbox)	C23435	1						●
35	Washer on level plug	C2296/1	1						●
36	Gear lever knob	C2291	1		●	●	●	●	●
37	Gear lever knob lock nut	C1928	1		●	●	●	●	●
N/S	Repair sleeve for output flange (eliminates re-sizing due to wear)	EN1012	1		●	●	●	●	●
38	Dipstick	C2675	1		●	●	●	●	●
N/S	Felt seal for dipstick	C2675/F	2		●	●	●	●	●
↓ AUTOMATIC TRANSMISSION (MODEL DG250)									
↓ SEALS & GASKETS									
N/S	Front seal	3623	1						● ●
N/S	Rear seal	3762	1						● ●
N/S	Filter	6688	1						● ●
N/S	Sump gasket	3736	1						● ●
N/S	External seals & gaskets kit	EN1020	1						● ●



GEARBOX
 FIG.35
 (CONTINUES OVERLEAF)



GEARBOX
FIG.35
(CONTINUED)

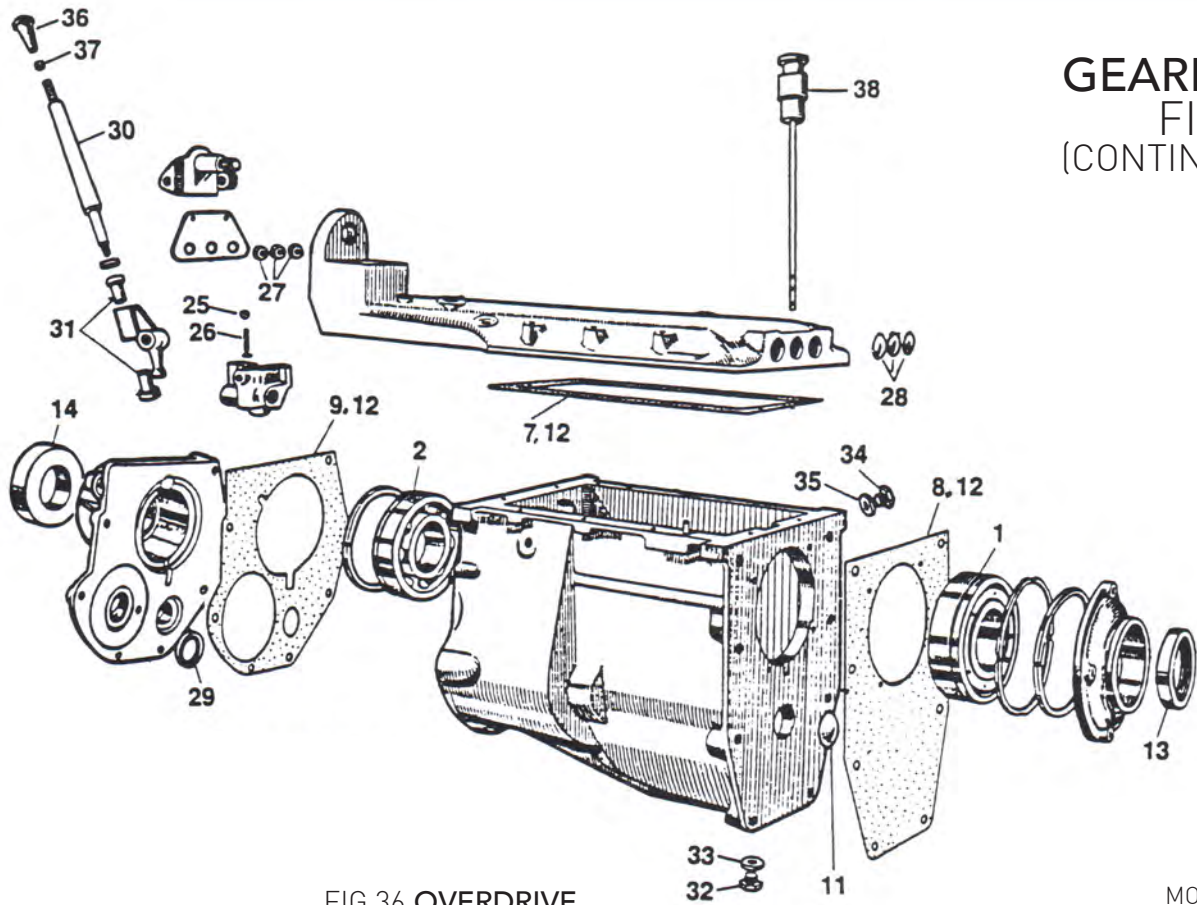
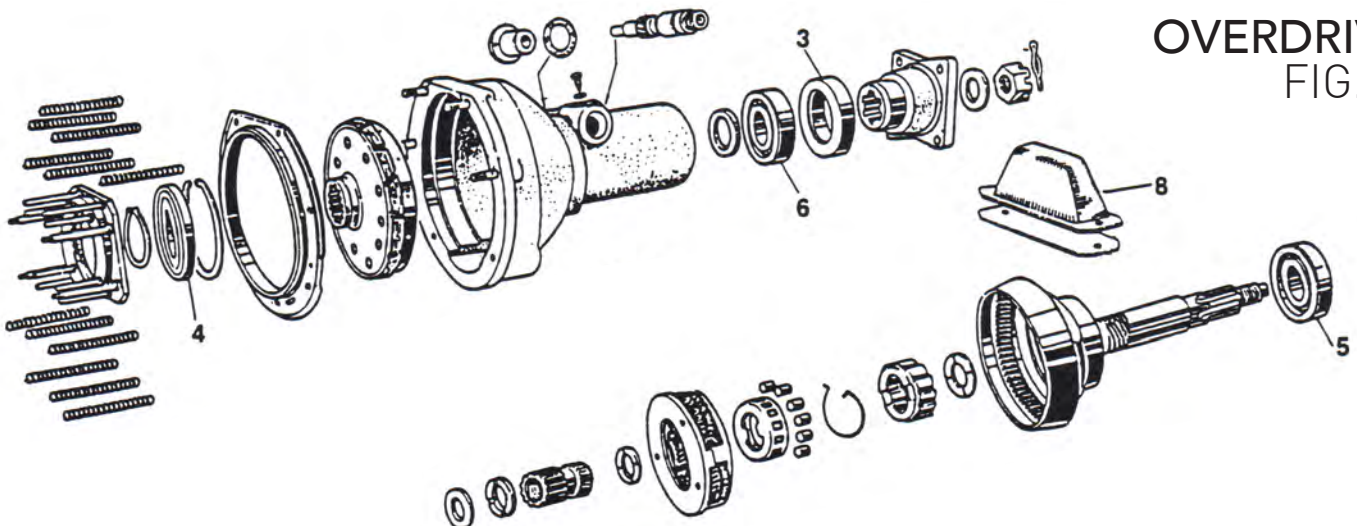


FIG.36 OVERDRIVE

#	DESCRIPTION	PART#	REQ.	KIT	MODELS				
					Mk4	Mk5	Mk7	Mk8	Mk9
1	Gasket between solenoid bracket and main housing	C5954	1		●	●	●		
2	Gasket between front housing and extension	C5953	1			●	●	●	
3	Rear seal	7980	1				●	●	●
4	Bearing for sliding member	C5968	1				●	●	●
5	Bearing on annulus shaft, front	C5969	1				●	●	●
6	Bearing on annulus shaft, rear	C5687	1				●	●	●
7	Solenoid	C7471	1				●	●	●
8	Bump stop for rear extension housing	C8281	1				●	●	●



OVERDRIVE
FIG.36

OVERDRIVE
 FIG.36
 (CONTINUED)

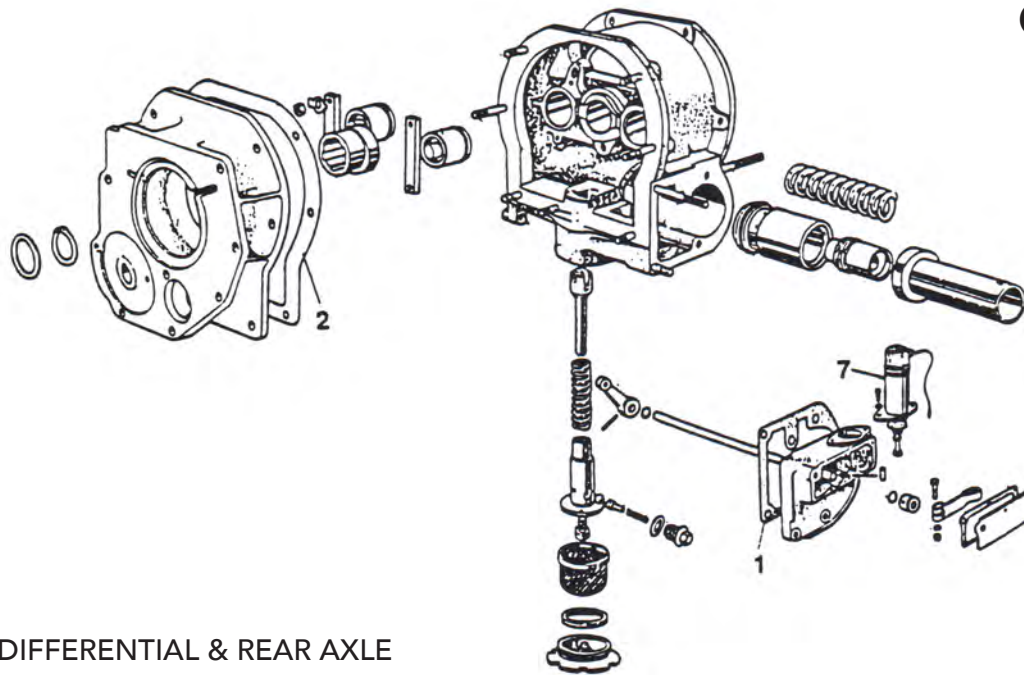


FIG.37 DIFFERENTIAL & REAR AXLE

#	DESCRIPTION	PART#	REQ.	KIT	MODELS					
					Mk4	Mk5	Mk7	Mk8	Mk9	
↓ SEALS & GASKETS										
1	Pinion seal (Salisbury axle)	3840	1		●	●	●	●	●	
1	Pinion seal (ENV axle, to chassis no. 62777 & 527126)	314	1			●				
2	Inner axle seal (Salisbury axle)	3848	2		●	●	●	●	●	
2	Inner axle seal (ENV axle to chassis no. 62777 & 527126)	801	2			●				
3	Outer axle seal (Salisbury axle)	7955	2		●	●	●	●	●	
3	Outer axle seal (ENV axle to chassis no. 62777 & 527126)	799	2			●				
4	Rear cover gasket (Salisbury axle)	3847	1		●	●				
4	Rear cover gasket (ENV axle to chassis no. 62777 & 527126)	802	1			●				
4	Rear cover gasket (to chassis no. 736142)	3847	1				●			
4	Rear cover gasket (from chassis no. 736143)	3931	1				●			
4	Rear cover gasket	3931	1					●	●	
5	Outer axle seal gasket (Salisbury axle)	C1483	4			●				
5	Outer axle seal gasket	C1483	4			●	●	●	●	
N/S	Seals kit (ENV axle to chassis no. 62777 & 527126)	EN1009	1			●				
N/S	Seals & gasket kit (Salisbury axle)	EN1010			●	●	●	●	●	
↓ TOP COVER										
6	Pinion bearing, outer (Salisbury axle)	3483	1		●	●	●	●	●	
6	Pinion bearing, outer (ENV axle to chassis no. 62777 & 527126)	385	1			●				
7	Pinion bearing, inner (Salisbury axle)	3844	1		●	●	●	●	●	
7	Pinion bearing, inner (ENV axle to chassis no. 62777 & 527126)	384	1			●				
8	Carrier bearing (Salisbury axle)	3845	2		●	●	●	●	●	
8	Carrier bearing (ENV axle to chassis no. 62777 & 527126)	807	2			●				
9	Axle bearing (Salisbury axle)	3846	2		●	●	●	●	●	
9	Axle bearing (ENV axle to chassis no. 62777 & 527126)	807	2			●				
↓ SHIMS										
10	Inner pinion bearing shim (Salisbury axle) 0.003"	3860	A/R		●	●	●	●	●	
10	Inner pinion bearing shim (ENV axle) 0.004"	315	A/R			●				
10	Inner pinion bearing shim (Salisbury axle) 0.005"	3861	A/R		●	●	●	●	●	
10	Inner pinion bearing shim (ENV axle) 0.006"	316	A/R			●				
10	Inner pinion bearing shim (Salisbury axle) 0.010"	3862	A/R		●	●	●	●	●	
10	Inner pinion bearing shim (ENV axle) 0.010"	318	A/R			●				
11	Outer pinion bearing shim (Salisbury axle) 0.003"	3856	A/R		●	●	●	●	●	

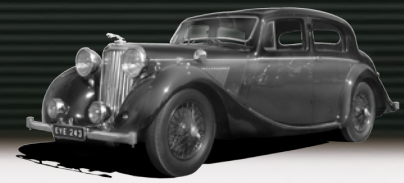
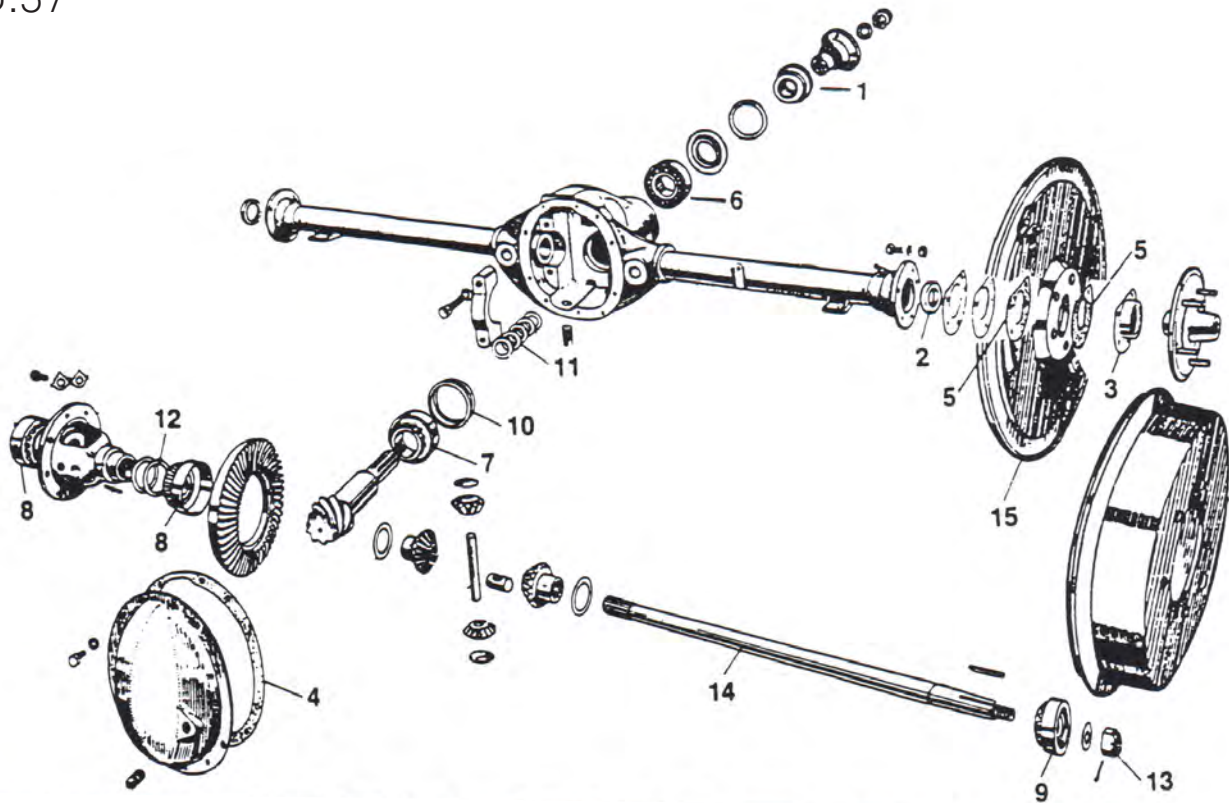


FIG.37 DIFFERENTIAL & REAR AXLE

#	DESCRIPTION	PART#	REQ.	KIT	MODELS				
					MK4	MK5	MK7	MK8	MK9
11	Outer pinion bearing shim (ENV axle) 0.004"	319	A/R		●				
11	Outer pinion bearing shim (Salisbury axle) 0.005"	3857	A/R		●	●	●	●	●
11	Outer pinion bearing shim (ENV axle) 0.006"	320	A/R			●			
11	Outer pinion bearing shim (Salisbury axle) 0.010"	3858	A/R		●	●	●	●	●
11	Outer pinion bearing shim (ENV axle) 0.010"	321	A/R			●			
12	Carrier bearing shim (Salisbury axle) 0.003"	3863	A/R		●	●			
12	Carrier bearing shim (to chassis no. 736143) 0.003"	3863	A/R				●		
12	Carrier bearing shim (from chassis no. 736144) 0.003"	3935	A/R				●		
12	Carrier bearing shim 0.003"	3935	A/R					●	●
12	Carrier bearing shim (Salisbury axle) 0.005"	3864	A/R		●	●			
12	Carrier bearing shim (to chassis no. 736143) 0.005"	3864	A/R				●		
12	Carrier bearing shim (from chassis no. 736144) 0.005"	3936	A/R				●		
12	Carrier bearing shim 0.005"	3936	A/R					●	●
12	Carrier bearing shim (Salisbury axle) 0.010"	3865	A/R		●	●			
12	Carrier bearing shim (to chassis no. 736143) 0.010"	3865	A/R				●		
12	Carrier bearing shim (from chassis no. 736144) 0.010"	3937	A/R				●		
12	Carrier bearing shim 0.010"	3937	A/R					●	●
12	Carrier bearing shim (Salisbury axle) 0.030"	3866	A/R		●	●			
12	Carrier bearing shim (to chassis no. 736143) 0.030"	3866	A/R				●		
12	Carrier bearing shim (from chassis no. 736144) 0.030"	3938	A/R				●		
12	Carrier bearing shim 0.030"	3938	A/R					●	●
N/S	Dipstick, ENV axle	346	1				●		
13	Axle nut (Salisbury axle)	131	2		●	●	●	●	●
14	Axle shaft (Salisbury axle)	3924	2		●	●	●	●	●

REAR AXLE (STANDARD) FIG.37



REAR AXLE (POWER-LOCK)
 FIG.37

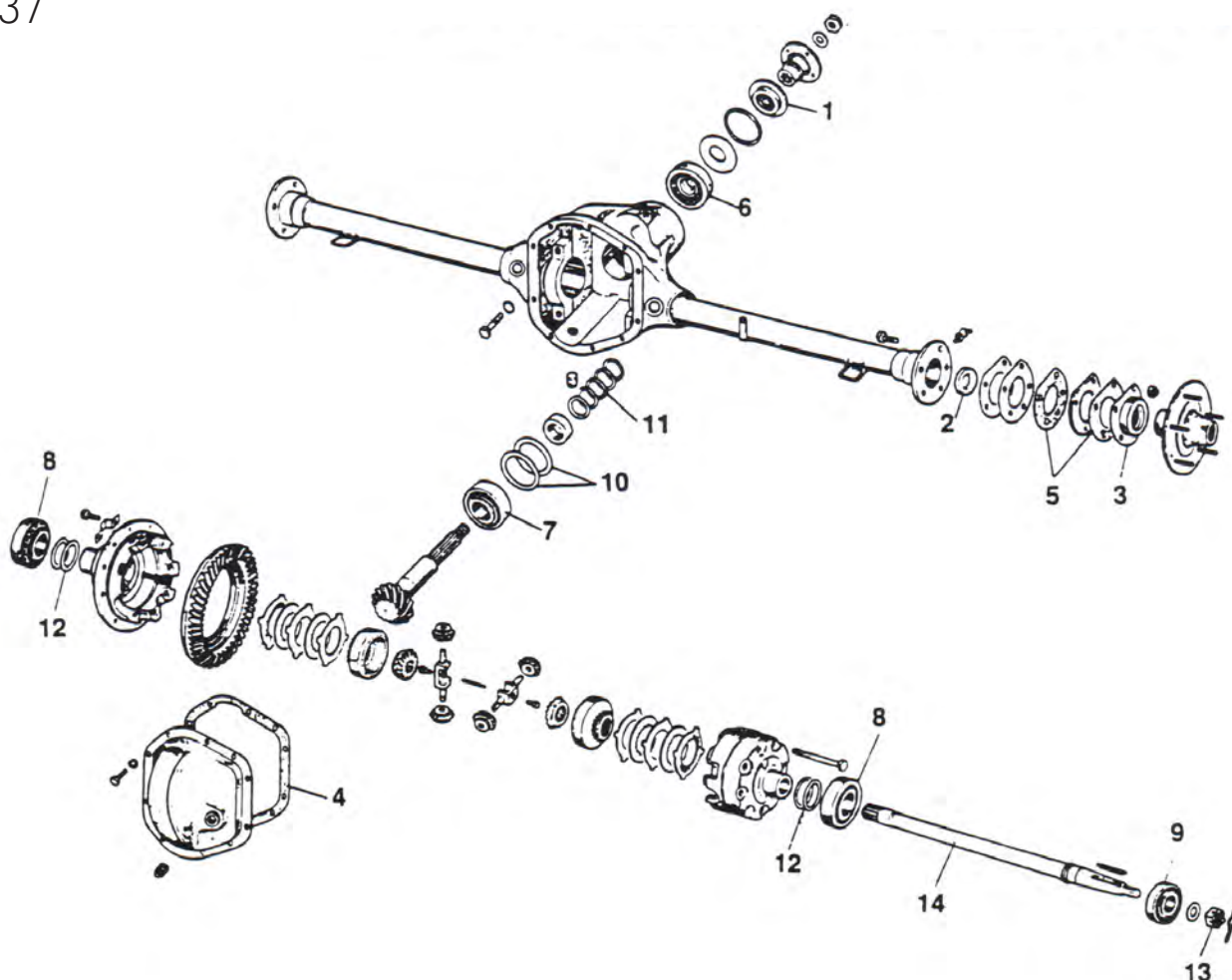


FIG.38 EXHAUST SYSTEM

#	DESCRIPTION	PART#	REQ.	KIT	MODELS					
					Mk4	Mk5	Mk7	Mk8	Mk9	
↓ EXHAUST SYSTEM										
1	Complete stainless steel exhaust system	EX1010/SS	1		•					
1	Complete stainless steel exhaust system	EX1200/SS	1			•				
1	Complete stainless steel exhaust system	EX0900/SS	1				•			
1	Complete stainless steel exhaust system	EX0901/SS	1					•		
1	Complete stainless steel exhaust system (to chassis no. 792313)	EX0901/SS	1						•	
1	Complete stainless steel exhaust system (from chassis no. 791314)	EX0902/SS	1						•	
↓ MOUNTINGS & BRACKETS										
N/S	Flex mounting	JLM9542	6		•					
5	Silencer mounting rubber block	C3585	1			•				
N/S	Tailpipe bracket	C3586	1			•				
6	Tailpipe flex mounting	JLM9542	2			•				
7	System flex mounting	JLM9542	3				•	•	•	
8	Tailpipe mounting	C5062	1				•	•	•	
↓ GASKETS										
9	Downpipe gasket	C495	2		•	•	•	•		
9	Downpipe gasket (to chassis no.792313)	C495	2						•	
N/S	Downpipe to silencer gasket	C3584	2		•					

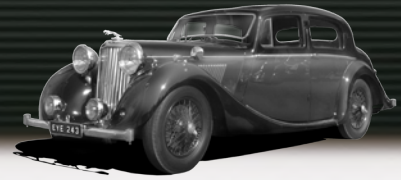


FIG.38 EXHAIST SYSTEM

MODELS

MK4 MK5 MK7 MK8 MK9

#	DESCRIPTION	PART#	REQ.	KIT	MK4	MK5	MK7	MK8	MK9
10	Downpipe to silencer gasket	C3584	1		•	•			
11	Downpipe sealing ring (from chassis no. 792314)	CBC4834	2						•
	Exhaust clamps, original 'C' type in stainless steel								
	Exhaust clamp, 1 5/8"	EX1625							
	Exhaust clamp, 1 3/4"	EX1750							
	Exhaust clamp, 1 7/8"	EX1825							
	Exhaust clamp, 2"	EX0200							
	Exhaust clamp, 2 1/8"	EX2125							
	Exhaust clamp, 2 1/4"	EX2250							
	Exhaust clamp, 2 3/8"	EX2375							

EXHAUST SYSTEM
FIG.38

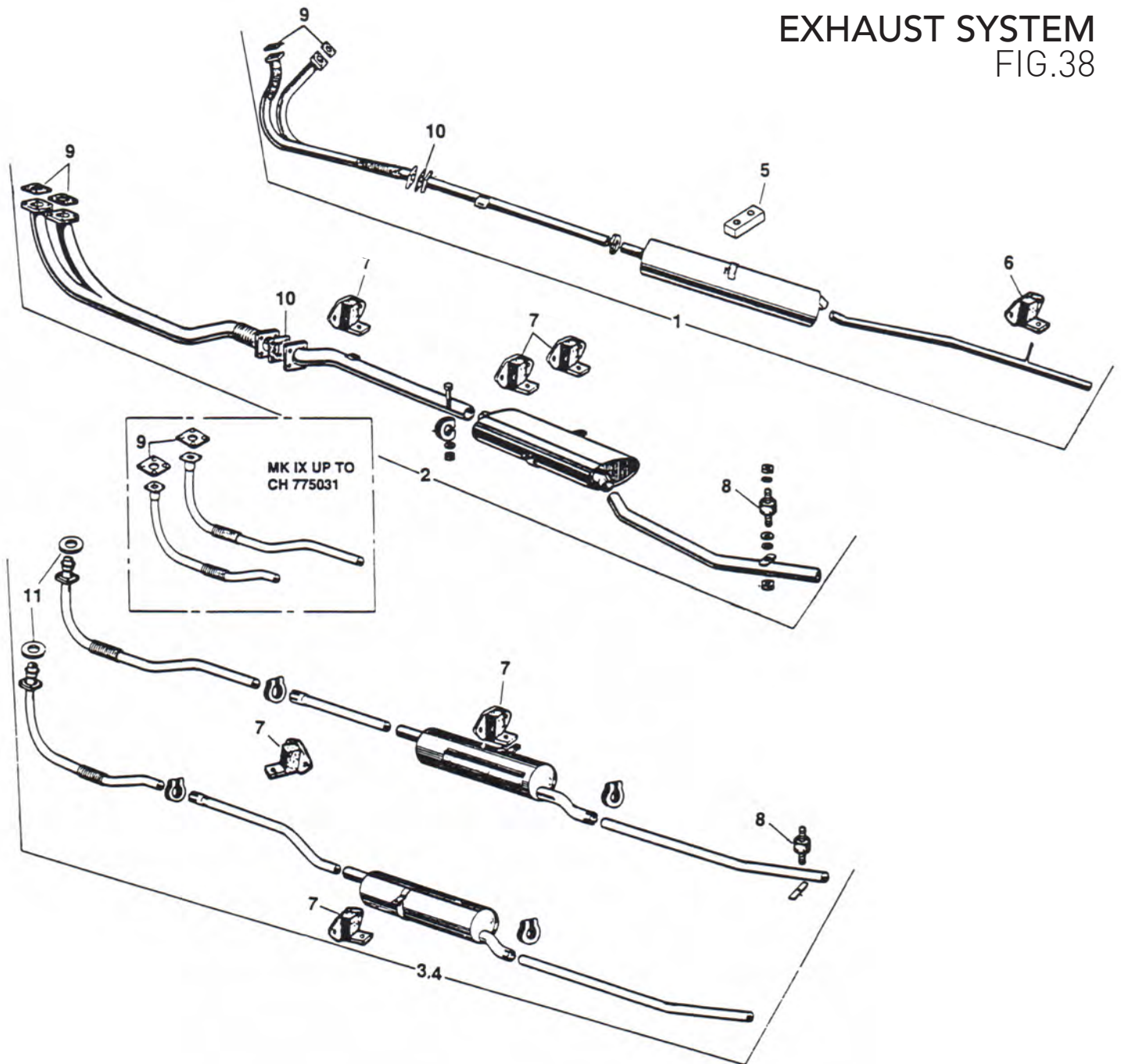
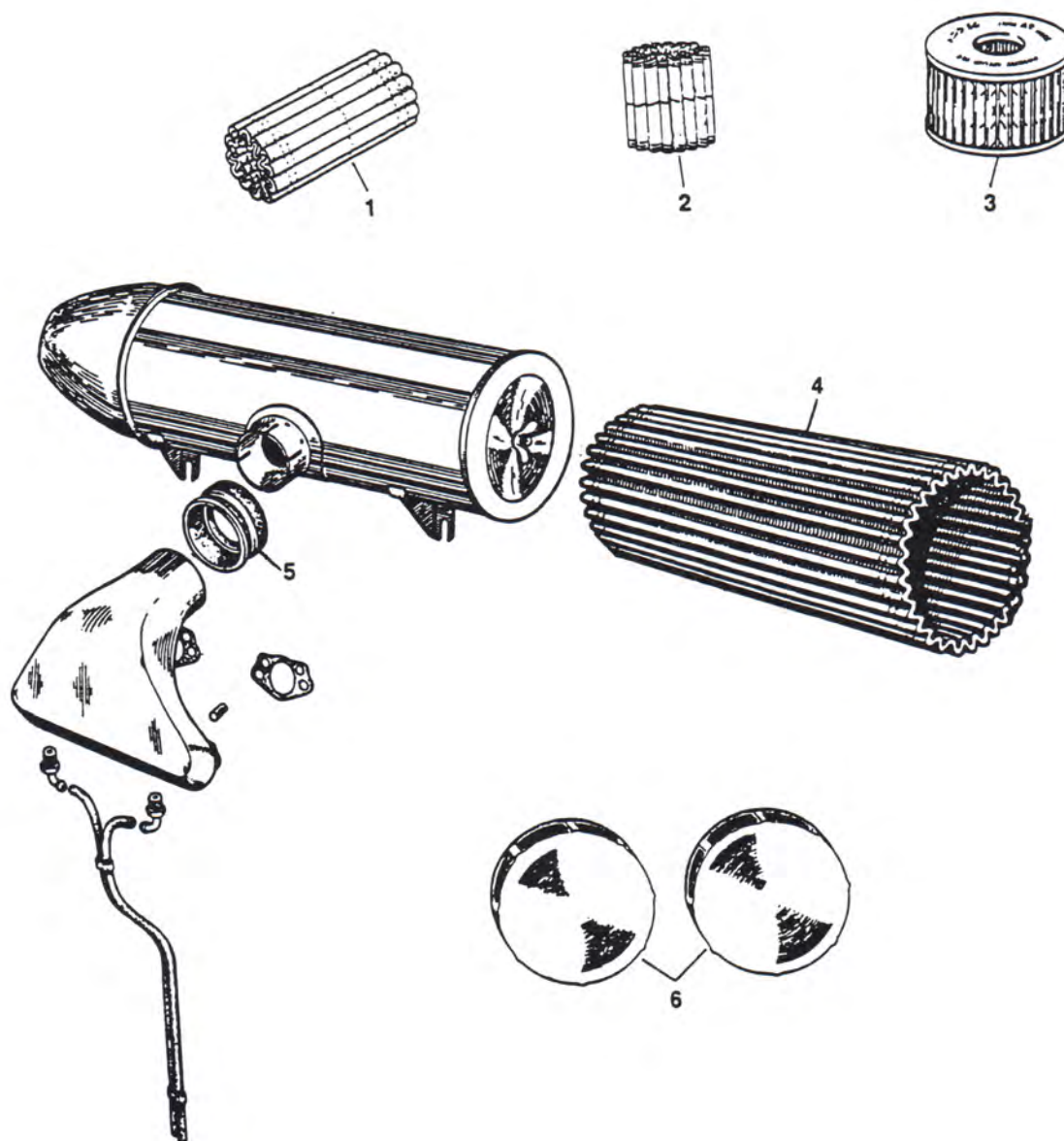


FIG.39 FILTERS & AIR CLEANERS

#	DESCRIPTION	PART#	REQ.	KIT	MODELS					
					MK4	MK5	MK7	MK8	MK9	
↓ FILTER ELEMENTS										
1	Oil filter, felt type	1526	1		•	•				
2	Oil filter, felt type	1550	1				•	•	•	
N/S	Oil filter, paper type	JLM9544	1		•	•				
3	Fuel filter, replacement paper type, includes sealing ring	C28080	1						•	
N/S	Universal disposable in-line fuel filter (recommended for all vehicles without factory fitted fuel filters)	FL1000	1		•	•	•	•		
4	Air filter element	5903	1				•	•	•	
↓ MISCELLANEOUS										
5	Sealing ring between air intake plenum and air cleaner assembly	C1788	1		•	•	•	•	•	
6	Optional Pancake air filter for 1 3/4" Carburettors	C4496	2				•	•	•	
N/S	Optional Pancake air filter for 2" Carburettors	C8484	2				•			

FILTERS & AIR CLEANERS
FIG.39



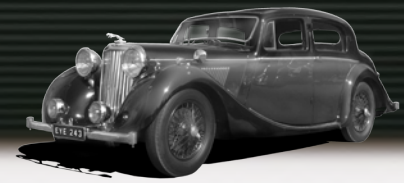


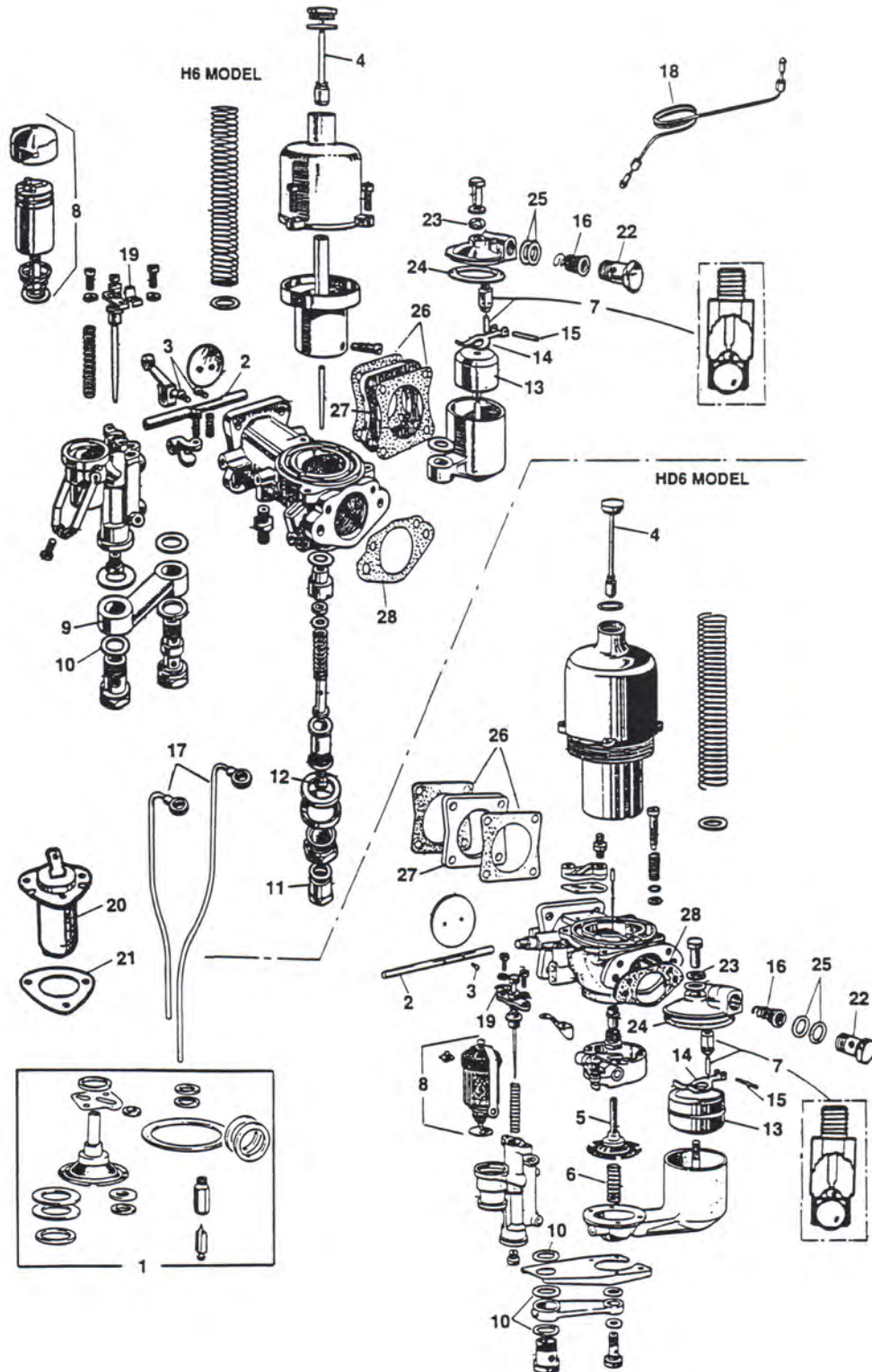
FIG.40 CARBURETTOR

#	DESCRIPTION	PART#	REQ.	KIT	MODELS				
					Mk4	Mk5	Mk7	Mk8	Mk9
↓ CARBURETTOR									
N/S	Overhaul kit (Inc. all gaskets, metering needle, float valve & main jet)	SU044	2				●		
N/S	Overhaul kit (Inc. all gaskets, metering needle, float valve & main jet)	SU204	2					●	●
1	Service kit: supplied without metering needles	RK315	2		●	●			
↓ THROTTLE SHAFT									
2	Standard throttle shaft	S1750	2		●	●	●	●	●
N/S	Oversize throttle shaft	S1750/OS	2		●	●	●	●	●
3	Throttle butterfly securing screw	C43212	4		●	●	●	●	●
↓ MISCELLANEOUS									
N/S	Piston damper (brass cap)	3329	2		●	●			
4	Piston damper (brass cap)	AUC8102	2				●	●	●
5	Jet & diaphragm assembly	AUC8155	2					●	●
6	Spring under jet assembly	8767	2					●	●
7	Float valve, 'Grose Jet' type with ball system to cure flooding	AUD9096GR	2		●	●	●	●	●
8	Choke solenoid & plunger assembly	AUD9490	1		●	●	●	●	●
9	Banjo fitting, connecting choke assembly to front carburettor	4758	1				●		
10	Fibre washer for banjo connections	AUC2141	1		●	●	●	●	●
11	Mixture screw cap	3160	2		●	●	●		
12	Mixture screw	3158	2		●	●	●		
13	Brass float	WZX1303	2		●	●	●	●	●
14	Float lever	AUC1980	2		●	●	●	●	●
15	Float lever pivot pin	AUC1152	2		●	●	●	●	●
16	Thimble filter for fuel inlet	AUC2139	2		●	●	●	●	●
17	Float chamber overflow pipe (nickel plated, cut & shaped to fit)	C16873	2		●	●	●	●	●
18	Carburettor to distributor vacuum pipe	C12336	1		●	●	●	●	
18	Carburettor to distributor vacuum pipe	C21576	1						●
N/S	Rubber connector for vacuum pipe at front carburettor	C14212	1						●
19	Finger spring on choke unit	AUC3139	1		●	●	●	●	●
N/S	Choke thermostatic switch, 3.5 Litre	C2893	1		●	●			
20	Choke thermostatic switch	C331777	1				●	●	●
21	Gasket for thermostatic switch	C2475	1				●	●	●
22	Banjo bolt for fuel inlet	C11488	2				●	●	●
N/S	Factory option 2"H8 competition carburettors, (repro. - one pair)	FS1008	1				●		
↓ CARBURETTOR GASKETS									
23	Serrated washer on float lid bolt (included in overhaul kit)	AUC1147	2		●	●	●	●	●
24	Float lid gasket (included in overhaul kit)	AUC1147	2		●	●	●	●	●
25	Banjo washer for float chamber inlet (included in overhaul kit)	AUC2141	4		●	●	●	●	●
N/S	Carburettor to manifold gasket	C346	4		●				
N/S	Carburettor to manifold gasket	C665	4			●			
26	Carburettor to manifold gasket (included in overhaul kit)	C2368	4				●	●	●
N/S	Carburettor to manifold gasket (for optional H8 carburettors)	C7221	4				●		
27	Carburettor mounting insulator	C33059	2				●	●	●
N/S	Carburettor mounting insulator (for optional H8 carburettors)	C33060	2				●		
N/S	Carburettor outer flange gasket	1323/A	2			●			
28	Carburettor outer flange gasket (included in overhaul kit)	C15553	2				●	●	●
N/S	Carburettor outer flange gasket (for optional H8 carburettors)	C7164	2				●		
N/S	Anti-blowback valve in inlet manifold (to engine no. N4698)	C4204	1				●		
N/S	Anti-blowback valve return spring (to engine no. B2916)	C4205	1				●		
N/S	Anti-blowback valve return spring (from engine no. B2917 to N4698)	C7470	1				●		
N/S	Anti-blowback valve return spring sleeve (from eng. B2917 to N4698)	C8455	1				●		
N/S	Gasket for carb. starting pipe (to engine no. B2916)	C2381	1				●		
N/S	Gasket for carb. starting pipe (from engine no. B2917)	C7469	1				●		
N/S	Copper washer on starting pipe banjo bolt (to engine no. B2916)	C2296/5	2				●		
N/S	Carb starting pipe	C12448	1						●
N/S	Olive on carb end of starting pipe	C13553	1						●

FIG.40 CARBURETTOR

#	DESCRIPTION	PART#	REQ.	KIT	MODELS				
					Mk4	Mk5	Mk7	Mk8	Mk9
N/S	O-ring on inlet end of starting pipe	C12454	1						●
N/S	Flange gasket	C12453	1						●
N/S	Vacuum check valve for servo in inlet manifold	C12481	1						●
N/S	Check valve return spring	C12480	1						●

CARBURETTOR
 FIG.40



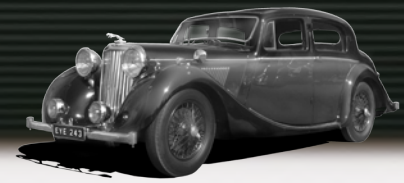


FIG.41 ACCELERATOR LINKAGE, FUEL PIPES & FITTINGS

#	DESCRIPTION	PART#	REQ.	KIT	MODELS				
					Mk4	Mk5	Mk7	Mk8	Mk9
↓ACCELERATOR LINKAGE									
1	Throttle rod rubber bush on bulkhead	C3476	1		●				
2	Throttle rod grommet in bracket	C8016	1			●	●	●	●
3	Brass bush in throttle rod grommet or rubber bush	C3477	1		●	●	●	●	
4	Bracket retaining throttle rod grommet	C8014	1			●	●	●	
5	Bellows on accelerator rod	C4989	1			●	●	●	
6	Accelerator control rod (stainless steel, removable end, cut to length)	C17870	1		●	●	●	●	
7	Flexible coupling on rear carburettor	C3597	1		●	●			
8	Clamp on flexible coupling between carburettors	AUC4334	2		●	●	●		
8	Clamp on flexible coupling between carburettors	AUC4334	3						●
9	Throttle return spring	310	2		●	●	●		
9	Throttle return spring	C14366	2						●
10	Bracket for throttle return spring	C14364	2						●
11	Grommet for throttle rod (automatic gearbox)	C975	1			●	●	●	
12	Bush in grommet	C7022	1			●	●	●	
↓FUEL PUMP									
13	New SU fuel pump	C9688/1	1		●	●	●	●	
13	New SU fuel pump, electronic negative earth	C9688/EN	1		●	●	●	●	
13	New SU fuel pump, electronic positive earth	C9688/EP	1		●	●	●	●	
14	Fuel pump repair kit (for above)	WZX1710/J	1		●	●	●	●	
15	Fuel pump condenser for original pump	AUB6179	1		●	●	●	●	
16	Fuel pump mounting kit	FS1005	1		●	●	●		
16	Fuel pump mounting kit	FS1005	2						●
17	Fuel pump points	AUB6106	1		●	●	●	●	●
↓FUEL FILTER									
18	Fuel filter assembly (original)	C13681	1						●
19	Fuel filter banjo bolt	C13705	2						●
20	Fuel filter banjo bolt washer	C784	4						●
21	Glass bowl	7300	1						●
22	Filter element with sealing ring	C28080	1						●
↓FUEL FILLER									
23	Rubber seal on fuel filler lid	BD8076	1			●	●	●	
24	Fuel filler lid seal	BD2065	1		●				
25	Buffer for fuel filler lid	BD4321	4			●	●	●	
26	Spring on fuel filler lid hinge	BD4358/S	2			●	●	●	
27	Spring behind fuel filler lid seal	BD4394	2			●	●	●	
↓FUEL TANK									
N/S	Strainer for pick-up pipe	CBC5649				●	●	●	
28	Original tank suction screen and drain plug assembly	C990/1	1		●				
28	Original tank suction screen and drain plug assembly	C990/1	2			●	●	●	
29	Sealing washer on tank drain plug	C26310	2		●	●	●	●	
↓FUEL FILLER HOSE									
N/S	Fuel filler hose	389	1		●				
N/S	Fuel filler hose	BD1997	1			●			
30	Fuel filler hose	BD9189	2			●	●	●	
↓FUEL TANK SENDER UNIT									
N/S	Fuel tank sender unit	C97	1		●				
31	Fuel tank sender unit	C3358	1			●			
32	Fuel tank sender unit, Right Hand	C4540	1				●	●	●
33	Fuel tank sender unit, Left Hand	C4539	1				●	●	●
34	Gasket on sender unit	C937	1		●	●	●	●	●
N/S	Sealing washers under sender unit screws (kit)	AW102/E	1		●	●	●	●	●
↓FUEL PIPES									
35	Fuel pipe chassis clip	C3727	8		●				
35	Fuel pipe chassis clip	C1040/9	1		●				

FIG.41 ACCELERATOR LINKAGE, FUEL PIPES & FITTINGS

#	DESCRIPTION	PART#	REQ.	KIT	MODELS				
					MK4	MK5	MK7	MK8	MK9
35	Fuel pipe chassis clip	C3727	13						
36	Flexible braided fuel line to carburettor	C3629	1		•	•	•	•	•
36	Flexible braided fuel line to carburettor	C3629	1						•
37	Flexible braided fuel line to carburettor	C14492	1						•
38	Compression nut on fuel pipe	FS1011	1		•	•	•	•	•
39	Olive on fuel pipe	C37133/6	1		•	•	•	•	•
40	Plastic fuel line (original style, per foot)	FS1001	A/R						•
41	Male solder fitting on fuel pipe	FS1007	1		•	•	•	•	•
42	Brass hex nut on fuel pipe	FS1010	1		•	•	•	•	•
43	Brass male nut at pump	FS1014	1			•	•	•	•
↓ REQUIRED ITEMS TO ADAPT PIPES TO BANJO FITTING AT PUMP END									
44	Banjo fitting with barbed end	C30946	A/R		•	•	•	•	•
45	Banjo bolt	C11488	A/R		•	•	•	•	•
46	Fibre washer on banjo bolt (2 required per bolt)	AUC2141	A/R		•	•	•	•	•

ACCELERATOR LINKAGE, FUEL PIPES & FITTINGS

FIG.41

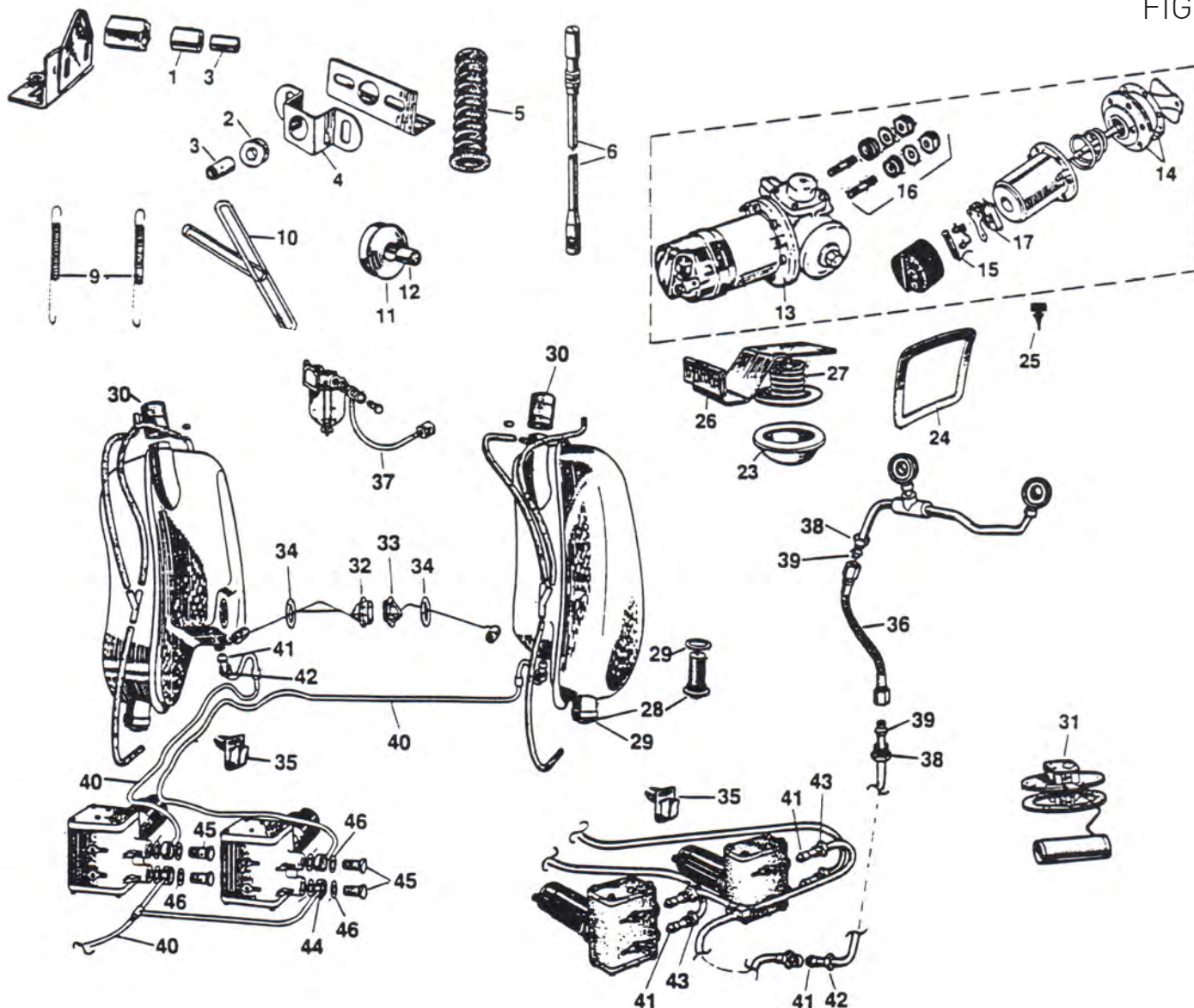
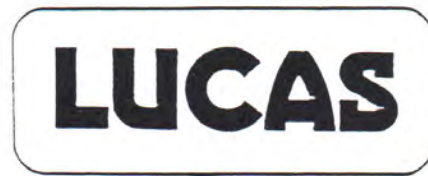
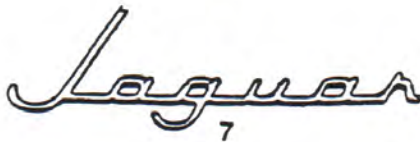
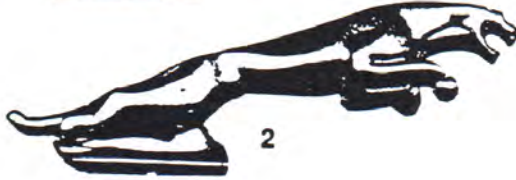




FIG.42A/42B IDENTIFICATION & MOTIFS

#	DESCRIPTION	PART#	REQ.	KIT	MODELS				
					Mk4	Mk5	Mk7	Mk8	Mk9
↓ EXTERIOR									
1	Leaping cat on radiator cap	BD6206	1		•	•			
2	Leaping cat on bonnet	BD10954	1					•	•
3	'J' plaque on rear bumper	C1988	1		•				
N/S	Grille badge, complete with emblem, 2.5 Litre	C3634	1		•	•			
4	Grille badge, complete with emblem, 3.5 Litre	C3633	1		•	•			
N/S	'Jaguar' badge on bonnet motif	BD8111	1				•		
5	Grille badge without emblem	BD12254	1					•	•
6	'Jaguar' emblem for grille badge	BD20653/2	1					•	•
N/S	Spire nut for securing grille motif	BD14579	2					•	•
7	Jaguar boot lid script	BD10703	1						•
8	MK IX' bot lid script	BD16305	1						•
9	'Automatic' script	BD11885	1					•	•
N/S	Spire nut for 'Jaguar' script	BD10735	5						•
N/S	Spire nut for 'MKIX' script	BD10735	4						•
N/S	Spire nut for 'Automatic' script	BD10735	4					•	•
10	'Jaguar' hub cap badge	C23963	4		•	•	•	•	•
↓ ENGINE COMPARTMENT									
11	'Lucas' sticker on ignition coil	ID0006	1				•	•	•
12	'Lucas' sticker for battery	ID0007	1		•	•	•	•	•
N/S	Fuse box cover decal	ID0082	1						•
13	Trico decal on washer bottle lid	ID0019/A	1				•	•	•
14	Trico decal on washer bottle bracket	ID0019/B	1				•	•	•
N/S	Green decal on air cleaner	ID2018	1				•	•	•
15	Power steering reservoir decal	ID0088	1					•	•
16	Smiths heater motor decal	ID0051	1		•	•	•		
↓ PLATES									
N/S	Brass commission plate	ID0063	1		•				
N/S	Brass commission plate	ID0038	1			•			
17	Brass commission plate	ID0016	1				•		
17	Brass commission plate, early	ID0016	1					•	
18	Aluminium commission plate, late	ID0017	1					•	
18	Aluminium commission plate	ID0017	1						•
N/S	Valve clearance plate	ID0065	1		•				
N/S	Valve clearance plate	ID0066	1			•			
19	Made in England tag	ID0004	1		•	•	•	•	•
N/S	Lubrication plate	ID0064	1		•				
N/S	Dynamo data plate	ID0067	1		•				
20	Dynamo data plate	ID0068	1			•			
N/S	Gearbox data plate	ID0092	1			•			
↓ INTERIOR									
21	Light switch escutcheon, without fog lamps	C8165	1		•	•			
22	Light switch escutcheon, with fog lamps	C9118	1				•		
N/S	Intermediate speed escutcheon	C12570	1					•	•
23	Overdrive escutcheon on dash	C8113	1				•	•	•
24	Handbrake warning escutcheon on dash (from chassis no.	C19637	1						•
25	Running-in sticker for windscreen	ID0002	1		•	•	•	•	•
26	Trip meter reset decal	ID0050	1			•	•	•	•
27	Horn button	2845	1			•			
28	Horn button	5934	1				•	•	•
29	Tax disc holder	BD21181	1		•	•	•	•	•
30	Steering column Automatic gear selector quadrant (without PAS)	C7024	1				•		
31	Steering column Automatic gear selector quadrant (with PAS)	C12461	1					•	•

IDENTIFICATION & MOTIFS
FIG.42A





IDENTIFICATION & MOTIFS
FIG.42B

JAGUAR CARS LTD. COVENTRY, ENGLAND.						
CHASSIS No. []		ENGINE No. []				
BODY No. []		GEAR BOX No. []				
RECOMMENDED LUBRICANTS						
	MOBIL	WAKEFIELD	SHELL	ESSO	B.P.	S.A.E.
ENGINE						
SUMMER	MOBIL A	CASTROL RL	X 100 30	ESSO EXTRA 20W/30	ENERGOL 30	30
WINTER	MOBIL ARCTIC	CASTROLITE	X 100 20/20W	ESSO EXTRA 30W/30	ENERGOL 20	20
TROPICAL	MOBIL A	CASTROL RL	X 100 40	ESSO EXTRA 40/50	ENERGOL 40	40
GEARBOX	MOBIL A	CASTROL RS	X 100 30	ESSO LUBRA 30	ENERGOL 30	30
REAR AXLE	MOBIL G.L	CASTROL HYPO	SPINA 90 EP	EPRE COMPOUND 90	ENERGOL EP 90	HYPO 90
STEERING GEAR WHEEL HUBS	MOBIL No 5	CASTROL W 8	RETINA A	ESSO HIGH TEMP GREASE	EMERGOL N 3	W 8 P CALASA
VALVE CLEARANCE (COLD) INLET [] INS. EXHAUST [] INS.						

17



25

JAGUAR CARS LTD COVENTRY, ENGLAND.						
CHASSIS No. []		ENGINE No. []				
BODY No. []		GEARBOX No. []				
RECOMMENDED LUBRICANTS						
	MOBIL	WAKEFIELD	SHELL	ESSO	B.P.	S.A.E.
ENGINE						
SUMMER	MOBIL A	CASTROL RL	X 100 30	ESSO EXTRA 20W/30	ENERGOL 30	30
WINTER	MOBIL ARCTIC	CASTROLITE	X 100 20/20W	ESSO EXTRA 30W/30	ENERGOL 20	20
TROPICAL	MOBIL A	CASTROL RL	X 100 40	ESSO EXTRA 40/50	ENERGOL 40	40
GEARBOX	MOBIL G X 59	CASTROL HYPO	SPINA 90 EP	EPRE COMPOUND 90	ENERGOL EP 90	HYPO 90
REAR AXLE	MOBIL G X 90	CASTROL HYPO	SPINA 90 EP	EPRE COMPOUND 90	ENERGOL EP 90	HYPO 90
STEERING GEAR WHEEL HUBS	MOBIL No 5	CASTROL W 8	RETINA A	ESSO MULTI GREASE M	EMERGOL L 2	W 8 P GREASE
VALVE CLEARANCE (COLD) INLET [] INS. EXHAUST [] INS.						

18

IMPORTANT
WHEN RESETTING T.M.P.O. COUNTERS
ROTATE KNOB CLOCKWISE
UNTIL ALL COUNTERS ARE AT ZERO

26



27

MADE IN ENGLAND

19



20



28



29



21



22



23



24



30

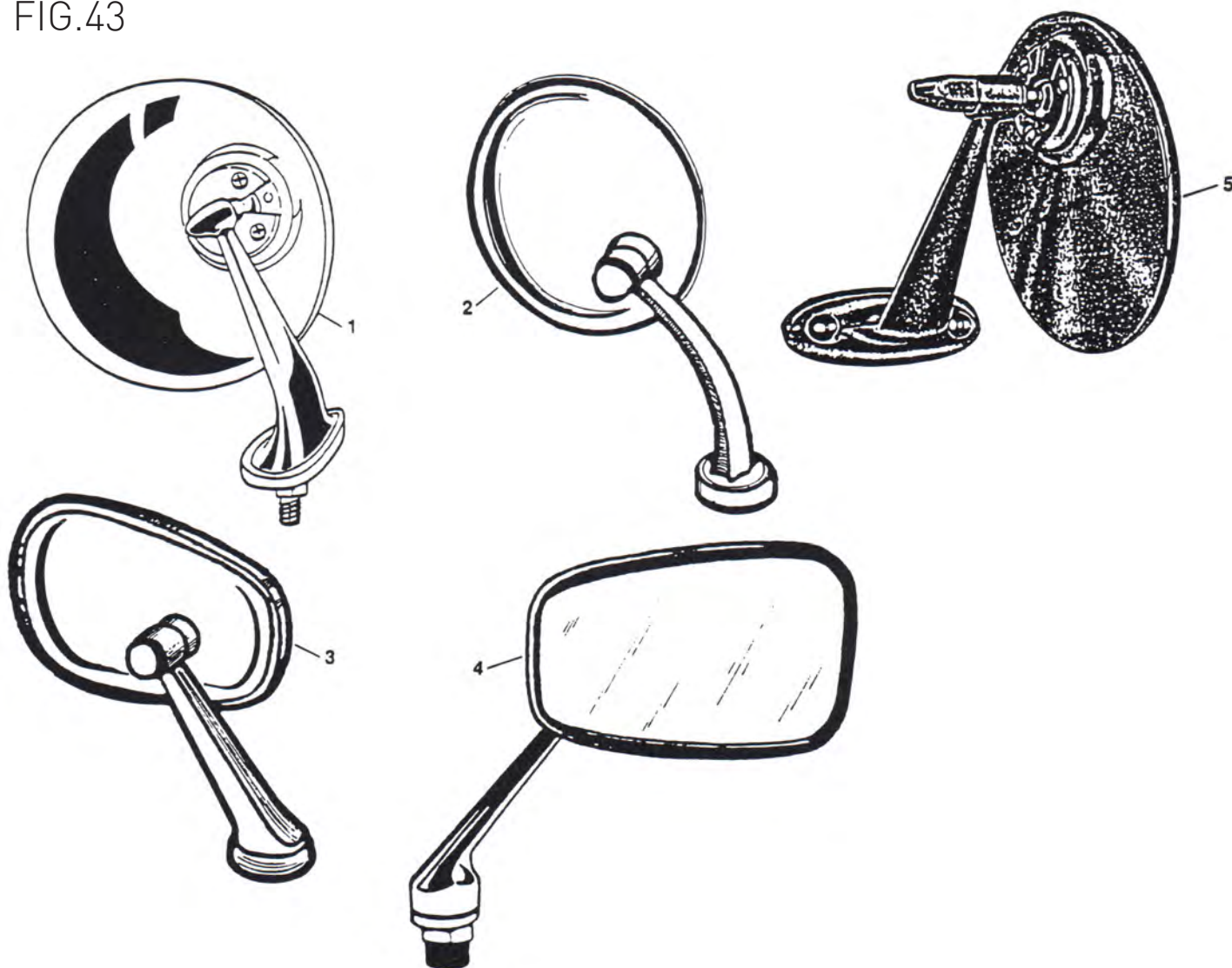


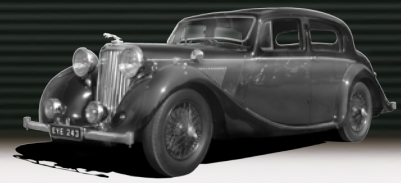
31

FIG.43 REAR VIEW MIRRORS

#	DESCRIPTION	PART#	REQ.	KIT	MODELS					
					MK4	MK5	MK7	MK8	MK9	
↓ EXTERNAL REAR VIEW MIRRORS										
1	Wing mounted, Lucas 50s style, Right Hand	MI1002			•	•	•	•	•	
N/S	Wing mounted, Lucas 50s style, Left Hand	MI1003			•	•	•	•	•	
↓ WING MOUNTED, 60s STYLE WITH SPRING BASE										
2	Curved arm, round head (Right Hand or Left Hand)	MI1012					•	•	•	
3	Straight arm, oval head (Right Hand or Left Hand)	MI1013					•	•	•	
4	Wing mounted, Desmo style 5 1/2" straight arm with oval head LH or RH	MI1014						•	•	
5	Door mounted, Lucas 50s style (Right Hand or Left Land)	MI1001			•	•	•	•	•	
N/S	Interior rear view mirror, saloon	BD1013			•					
N/S	Interior rear view mirror, drop head coupe	BD1745			•					
N/S	Interior rear view mirror	C2695				•				
N/S	Interior rear view mirror	C4645					•			
N/S	Interior rear view mirror	C5607						•		
N/S	Interior rear view mirror	BD14699							•	

REAR VIEW MIRRORS
FIG.43





#	DESCRIPTION	PART#	REQ.	KIT	MODELS				
					MK4	MK5	MK7	MK8	MK9
N/S	Workshop manual (paperback)	LI1068	1		●	●			
N/S	Workshop manual (hardback - exact copy of original)	RP1	1				●	●	●
N/S	Parts catalogue, 2.5 & 3.5 litre (LHD)	J6	1		●				
N/S	Parts catalogue	J7	1			●			
N/S	Parts catalogue	J21	1				●		
N/S	Owners manual	J24	1					●	
N/S	Owners manual, type M	J31	1						●
N/S	Owners manual, standard	RP3	1			●			
N/S	Owners manual	E/102/2	1				●		
N/S	Owners manual	RP5	1				●		
N/S	Owners manual	E/109	1					●	
N/S	Owners manual	E/114	1						●

RESTORATION SUPPLIES

(NOT SHOWN) RESTORATION SUPPLIES

#	DESCRIPTION	PART#	REQ.	KIT	MODELS				
					MK4	MK5	MK7	MK8	MK9
↓ CHROME MOULDING FASTENERS									
N/S	Bonnet centre finisher		10				●	●	●
N/S	Bonnet side finisher		16		●	●			
N/S	Bonnet side finisher		20				●	●	●
N/S	Cowl finisher		4		●	●	●	●	
N/S	Cowl finisher		4						●
N/S	Front door finisher (saloon)		10		●				
N/S	Front door finisher (saloon)		6			●	●	●	●
N/S	Front door finisher (DHC)		12		●				
N/S	Front door finisher (DHC)		10			●			
N/S	Rear door finisher		10		●				
N/S	Rear door finisher		6			●			
N/S	Rear door finisher		4				●	●	●
N/S	Rear quarter finisher		4		●	●			
N/S	Rear quarter finisher		4				●	●	●
N/S	Rear quarter finisher (DHC)		8		●	●			
N/S	Centre pillar (saloon)		2		●	●			
↓ LOWER BODYLINE CHROME FINISHER FASTENERS									
N/S	Front wing		28					●	●
N/S	Front door		16					●	●
N/S	Rear door		2					●	●
N/S	Rear door		22					●	●
N/S	Arrow finisher		4					●	●
N/S	Rear spat finisher		16					●	●
↓ CHROME FINISHER FASTENER KIT									
N/S	MK4 Saloon			Y	●				
N/S	MK4 DHC			Y	●				
N/S	MK5 Saloon			Y		●			
N/S	MK5 DHC			Y		●			
N/S	MK7 Saloon			Y			●		
N/S	MK8 & 9 Saloon			Y				●	●

FIG.44 RESTORATION SUPPLIES (EXTERIOR)

#	DESCRIPTION	PART#
1	Chrome finish fastener	BD9848
2	Spire nut securing boot emblems & grille badge	BD14579
3	Dzus fasteners for wheel spats	6123/6625
4	Buffer in rear number plate panel	BD6581
N/S	Body mount (round) 1/2" thick	BD6625
5	Body mount (round) 5/8" thick	BD6626
6	Body mount (round) 13/32" thick	BD6635
7	Fibre washer	BD2070
N/S	Chas. mounting felt (body to chassis, fuel tank, etc.)	RT1015
	Everseal glass setting tape (regulator channels, screen frames etc.)	
N/S	1/16" thick	RT1087
N/S	1/32" thick	RT1087/1
↓ ENGINE COMPARTMENTS & CHASSIS		
8	Grommet kits (includes all grommets for car and chassis)	
N/S	MK4	GK129
N/S	MK5	GK130
N/S	MK7	GK131
N/S	MK8	GK132
N/S	MK9	GK133
9	Radiator mounting pad	C8975
N/S	Brass nut (manifold to head)	NN131/Q
10	Exhaust manifold stud (secures down pipes) mild steel	C2369
N/S	Exhaust manifold stud (secures down pipes) stainless steel	C2369/SS
SPECIAL NUT ON DOWNPIPE STUD		
11	Self locking, factory original	C17916
N/S	Self locking, non-original	C17916/R
N/S	Self locking, stainless steel	C17916/SS
12	Washer on downpipe stud	FW106T
13	Brake pipe clip	C3529
14	Brake pipe clip	C5023
15	Fuel pipe clip	C3727
16	Black weatherstrip adhesive	CH2026

RESTORATION SUPPLIES (EXTERIOR)
 FIG.44

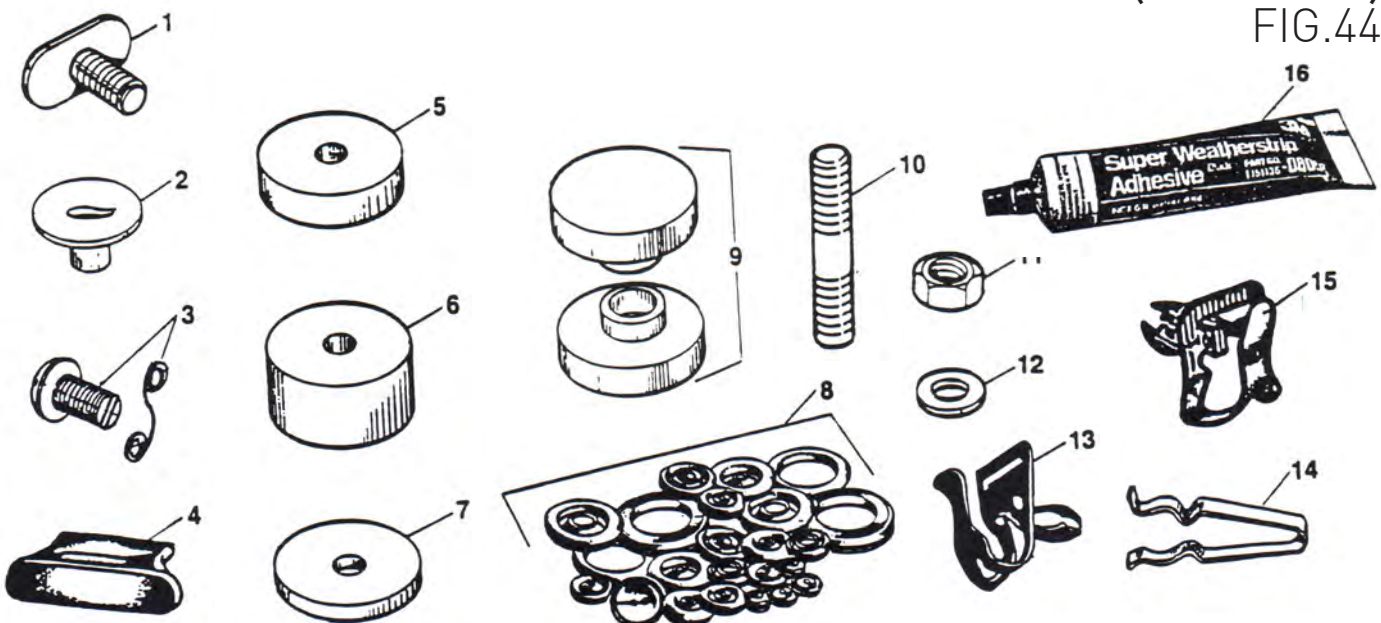
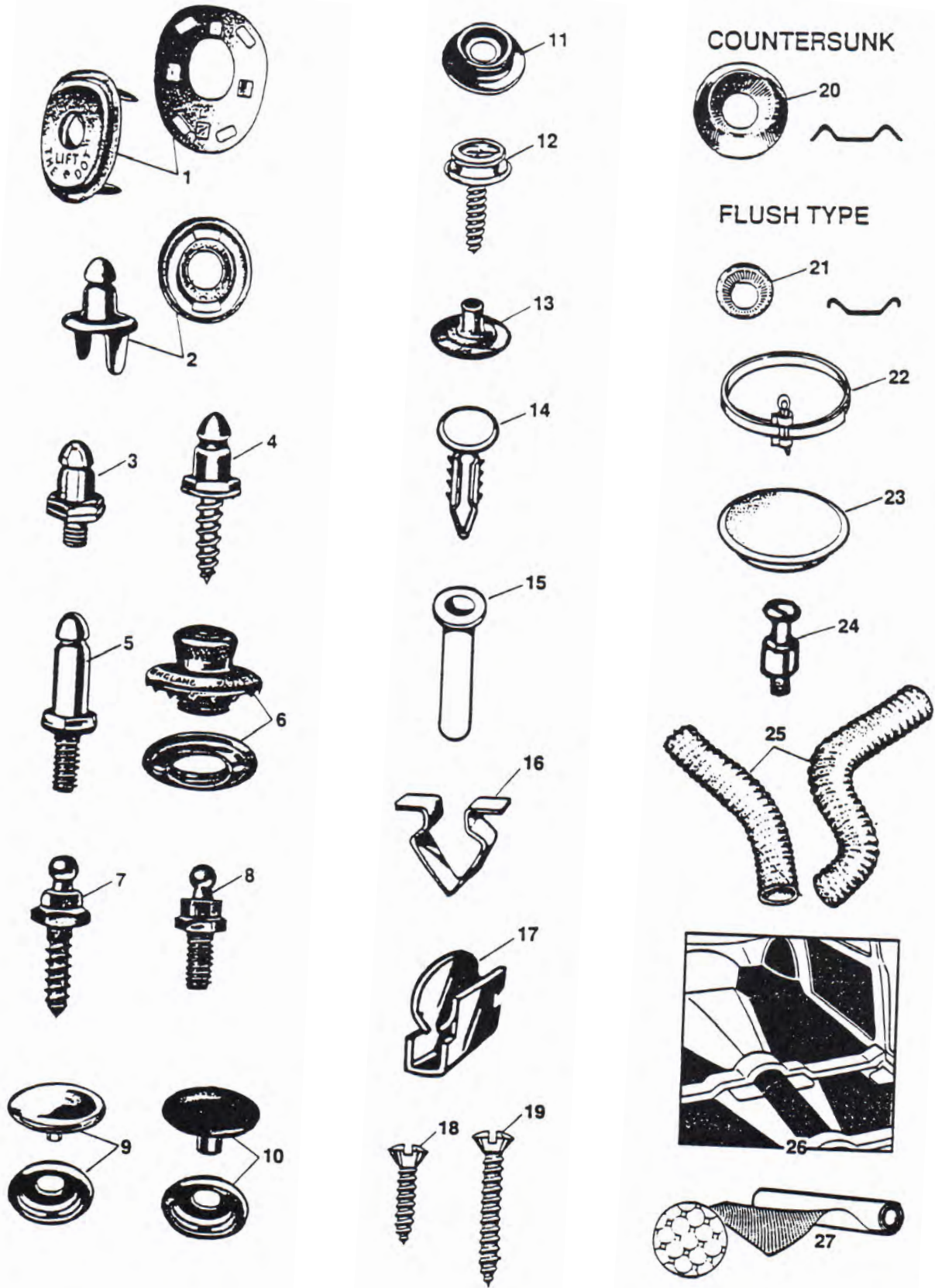




FIG.45 RESTORATION SUPPLIES (CONVERTIBLE TOPS/INTERIOR)

#	DESCRIPTION	PART#
↓ CONVERTIBLE TOP HARDWARE		
↓ LIFT-THE-DOT FASTENERS		
1	Socket & clinch plate	HW1004
2	Fabric stud & clinch plate	HW1018
3	Single length screw, machine screw	HW1005
4	Single length screw, wood screw	HW1006
5	Double length screw, machine screw	HW1010
N/S	Double length screw, wood screw	HW1011
↓ TENAX FASTENERS		
6	Button & ring	HW1007
7	Stud, wood screw	HW1008
8	Stud, machine screw	HW1009
↓ INTERIOR HARDWARE		
↓ CARPET FASTENERS		
9	Durable Dot socket, silver	HW1011
10	Durable Dot socket, black	HW1012
11	Durable Dot stud, without screw	HW1013
12	Durable Dot stud, with screw	HW1014
13	Durable Dot eyelet	HW1015
14	Carpet stud with barbs	BD13102
15	Socket for barb stud	BD47644
↓ DOOR PANEL CLIPS		
16	'Hairpin' clip	BD11309
17	'Hairpin' clip, with plate	HW2056
↓ UPHOLSTERY CLIPS		
N/S	Narrow (1/8" range)	HW1023
N/S	Wide (3/16" range)	HW1022
↓ PANEL HARDWARE		
Trim screws (10 pack)		
18	1/2" long	HW1001/1
	3/4" long	HW1001/2
19	1" long	HW1001/3
Finish washers (10 pack)		
20	Panel type	HW1002
21	Woodwork type	HW1003
↓ MISCELLANEOUS INTERIOR HARDWARE		
22	Clip at top of gear lever & handbrake boot	BD7738/1
23	Gearbox tunnel plug	BD10821
24	Dzus fasteners, securing gearbox dip sick cover (pair)	HW1063
25	Demister hose (6' length)	BF1043
26	Anti-drum self adhesive sheet (10" X 22") Pack of six	BF1031
27	Anti-drum flintkote (3' X 8' sheet) accurate reproduction	BF2011

RESTORATION SUPPLIES
 (CONVERTIBLE TOPS/INTERIOR)
 FIG.45



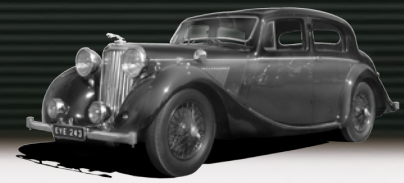


FIG.47 SHEET METAL

#	DESCRIPTION	PART#	REQ.	MODELS				
				Mk4	Mk5	Mk7	Mk8	Mk9
1	Front valance	BD9233	1					
N/S	Front valance (from chassis no. 738184)	BD9233	1					
2	RH Front wing repair below fog lamp, inc. bracket (to Chas. 738183)	353/048/A	1					
	LH Front wing repair below fog lamp, inc. bracket (to Chas. 738183)	353/049/A	1					
	RH Front wing repair below fog lamp, inc. bracket (from Chas. 738184)	6862/B	1					
	LH Front wing repair below fog lamp, inc. bracket (from Chas. 738184)	6863/B	1					
	RH Front wing repair below fog lamp, includes bracket	6862/B	1					
	LH Front wing repair below fog lamp, includes bracket	6863/B	1					
3	Sidelamp housing	936/937	2					
N/S	Front wing, rear splash panel RH	BD7777	1					
N/S	Front wing, rear splash panel LH	BD7776	1					
N/S	Mounting plate for splash panel RH	BD7772	1					
N/S	Mounting plate for splash panel LH	BD7771	1					
4	RH Inner front wing repair section (top 6")	BD18292/A	1					
N/S	LH Inner front wing repair section (top 6")	BD19686/A	1					
5	RH Front wing repair panel, rear	6862/A	1					
	LH Front wing repair panel, rear	6863/A	1					
	↓ FRONT DOOR REPAIR PANELS							
6	RH Lower door skin (6" high)	863/A	1					
N/S	LH Lower door skin (6" high)	864/A	1					
7	RH Bottom and inner panel,	863/B	1					
N/S	LH Bottom and inner panel,	864/B	1					
	↓ REAR DOOR REPAIR PANELS							
8	RH Lower door skin (12" high)	870/A	1					
N/S	LH Lower door skin (12" high)	871/A	1					
9	RH Bottom and inner panel,	870/B	1					
N/S	LH Bottom and inner panel,	871/B	1					
10	RH Outer sill, complete as original	543	1					
N/S	LH Outer sill, complete as original	544	1					
10	RH Outer sill repair (without step)	543/A	1					
N/S	LH Outer sill repair (without step)	544/A	1					
	↓ OUTRIGGERS (BETWEEN INNER SILL & CHASSIS)							
11	RH Front outrigger	874/BRH	1					
N/S	LH Front outrigger	874/BLH	1					
12	RH Middle outrigger	874/CRH	1					
N/S	LH Middle outrigger	874/CLH	1					
13	RH Rear outrigger	874/DRH	1					
N/S	LH Rear outrigger	874/DLH	1					
14	RH Inner sill	874/ARH	1					
N/S	LH Inner sill	874/ALH	1					
15	RH D-post repair, 3/4 length	540/A	1					
N/S	RH D-post repair, 3/4 length	542/A	1					
16	RH D-post repair, full length	540	1					
N/S	LH D-post repair, full length	542	1					
	↓ SUNROOF COMPONENTS							
17	Channel set (four pieces)	875/B	1					
18	Channel extensions (2 pieces)	875/C	1					
19	Rear channel	875/D	1					
20	Centre panel stiffener	877/A	1					
21	RH Petrol filler door & bracket, without hinge	4559/A	1					
N/S	LH Petrol filler door & bracket, without hinge	4560/A	1					
22	RH Rear wheel arch repair (5" wide)	4554/A	1					
N/S	LH Rear wheel arch repair (5" wide)	4555/A	1					
N/S	RH Rear wheel spat, without cut-out	353/238	1					
N/S	LH Rear wheel spat, without cut-out	353/239	1					

FIG.47 SHEET METAL

#	DESCRIPTION	PART#	REQ.	MODELS				
				Mk4	Mk5	Mk7	Mk8	Mk9
23	RH Rear wheel spat, with cut-out	BD12317	1				●	●
N/S	LH Rear wheel spat, with cut-out	BD12318	1				●	●
24	RH rear wing lower corner repair	4554/B	1				●	●
N/S	LH rear wing lower corner repair	4555/B	1				●	●
↓ REAR WHEEL HOUSING REPAIR SECTION								
25	RH outer	534	1				●	●
N/S	LH outer	535	1				●	●
26	RH inner	576	1				●	●
N/S	LH inner	578	1				●	●
27	RH Box section in rear wheel housing	919	1				●	●
N/S	LH Box section in rear wheel housing	920	1				●	●
28	Boot floor, including spare wheel well	878/A	1				●	●
29	Spare wheel well	878/B	1				●	●
30	RH Boot floor side panel (below fuel tanks)	878/CRH	1				●	●
N/S	LH Boot floor side panel (below fuel tanks)	878/CLH	1				●	●
31	Boot lock retainer panel	579	1				●	●
32	Rear valance	523	1				●	●
33	Rear valance inner panel	537	1				●	●

SHEET METAL
 FIG.47

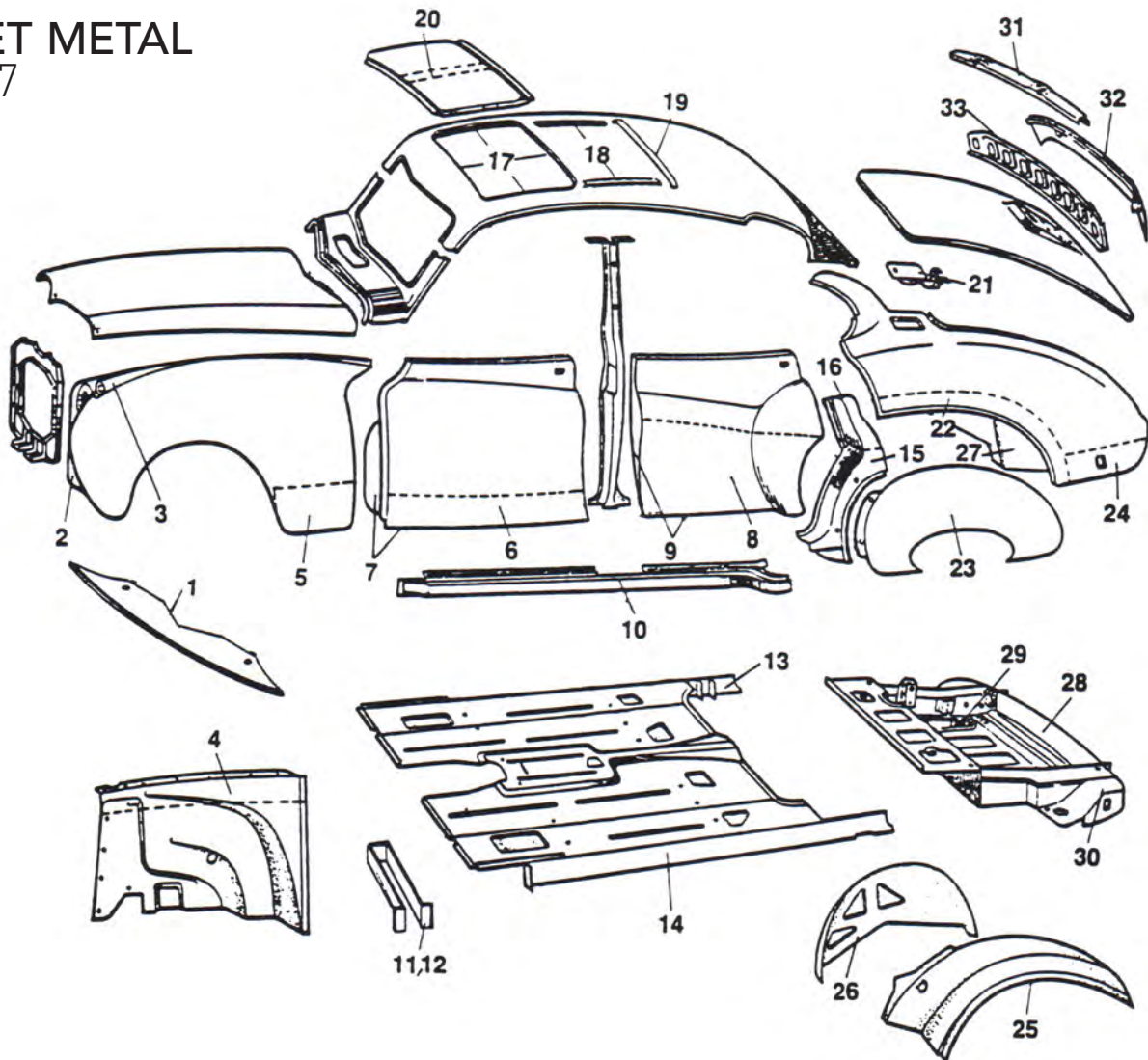




FIG.48 FRONT SUSPENSION HUB & BALL JOINTS

#	DESCRIPTION	PART#	REQ.	KIT	MODELS				
					MK4	MK5	MK7	MK8	MK9
1	Upper A-frame bush	C3003	8		●	●	●	●	
2	Castor shim, 0.064"	C8918/1	A/R		●	●	●	●	
2	Castor shim, 0.048"	C8918/2	A/R		●	●	●	●	
2	Castor shim, 0.036"	C8918/3	A/R		●	●	●	●	
0	Castor spacer	C9575	1		●	●	●	●	
3	Camber shim, 0.064"	C3166/1	A/R		●	●	●	●	
3	Camber shim, 0.048"	C3166/2	A/R		●	●	●	●	
3	Camber shim, 0.036"	C3166/3	A/R		●	●	●	●	
↓ FRONT SHOCK ABSORBERS									
4	Standard	C3035	2		●				
N/S	Koni performance (pair)	C3035K	1		●				
5	Standard	C15999	2				●	●	●
↓ SHOCK ABSORBER MOUNTING BUSHES									
6	Upper	C3053	4		●				
7	Lower	C3050	4		●				
8	Lower	C3273	4				●	●	●
9	Upper rebound buffer	C3036	1		●	●	●	●	
10	Lower A-frame bush	C3021	8		●	●	●	●	
↓ FRONT SUSPENSION HARDWARE									
11	Special bolt securing lower control arm pivots to chassis	C3653	8		●	●	●	●	
12	Suspension washer	C3114	4		●	●	●	●	
13	Suspension washer	C793	2		●	●	●	●	
14	Suspension washer	C3337	4		●	●	●	●	
15	Suspension washer	C3052	2		●	●	●	●	
16	Suspension washer	C3193	4		●	●	●	●	
17	Suspension washer	C794	2		●	●	●	●	
18	Wishbone lever castle nut, upper	NL609041/J	4		●	●	●	●	
19	Wishbone lever castle nut, lower	C3010/2	4		●	●	●	●	
20	Castle nut for shock absorber pin	NL609041/J	2		●	●	●	●	
21	Torsion bar adjuster	C3096/1	2		●	●	●	●	
22	Torsion adjuster trunnion	C3098	2		●	●	●	●	
23	Torsion adjuster nut	C3097	2		●	●	●	●	
24	Anti-roll bar V-bush	C3056	2		●				
24	Anti-roll bar V-bush	C4349	2				●	●	●
25	Anti-roll bar bush bracket	C3054	2		●	●	●	●	
26	Vertical link bush, upper	C3053	4		●	●	●	●	
27	Vertical link bush, lower	C3050	4		●	●	●	●	
28	Castle nut for vertical link	NN743/L			●	●	●	●	
↓ BALL JOINTS									
29	Upper ball joint assembly	C23024	2		●	●	●	●	
30	Gaiter for upper ball joint	C8325	2		●	●	●	●	
31	Lock tab for upper ball joint	C3007	4		●	●	●	●	
32	Lower ball joint repair kit (includes ball joint, cup & gaitor)	C8324/R	2		●	●	●	●	
33	Retainer for lower ball joint gaitor	C8326	2		●	●	●	●	
34	Ball joint gaitor	C8325	2		●	●	●	●	
35	Cup holder	C3023/1			●	●	●	●	
36	Ball joint shim	C3026/1			●	●	●	●	
37	Lock tab on cup bolts	C3028			●	●	●	●	
↓ FRONT SUSPENSION KIT									
N/S	Includes upper & lower ball joints, upper & lower arm bushes & anti-roll bar bushes	SU3004	1		●				
N/S	Includes upper & lower ball joints, upper & lower arm bushes & anti-roll bar bushes	SU3005	1				●	●	●
38	Front hub assembly								
38	Stub axle shaft	C3008	2		●	●	●	●	

FIG.48 FRONT SUSPENSION HUB & BALL JOINTS

#	DESCRIPTION	PART#	REQ.	KIT	MODELS				
					Mk4	Mk5	Mk7	Mk8	Mk9
N/S	Inner bearing	C612	2		●				
39	Inner bearing	C3011	2		●	●	●	●	●
N/S	Outer bearing	C575	2		●				
40	Outer bearing	C3012	2			●	●	●	●
41	Inner seal (felt)	C615	2		●	●	●	●	●
42	Wheel stud (in hub)	C13365	10		●	●	●	●	●
43	Outer washer, with D hole	C1380	2		●	●	●	●	●
44	Castle nut	NL609041/J	2		●	●	●	●	●
45	RH Knock-off wheel spinner	C1102	2		●				
N/S	LH Knock-off wheel spinner	C1103	2		●				

FRONT SUSPENSION HUB & BALL JOINTS

FIG.48

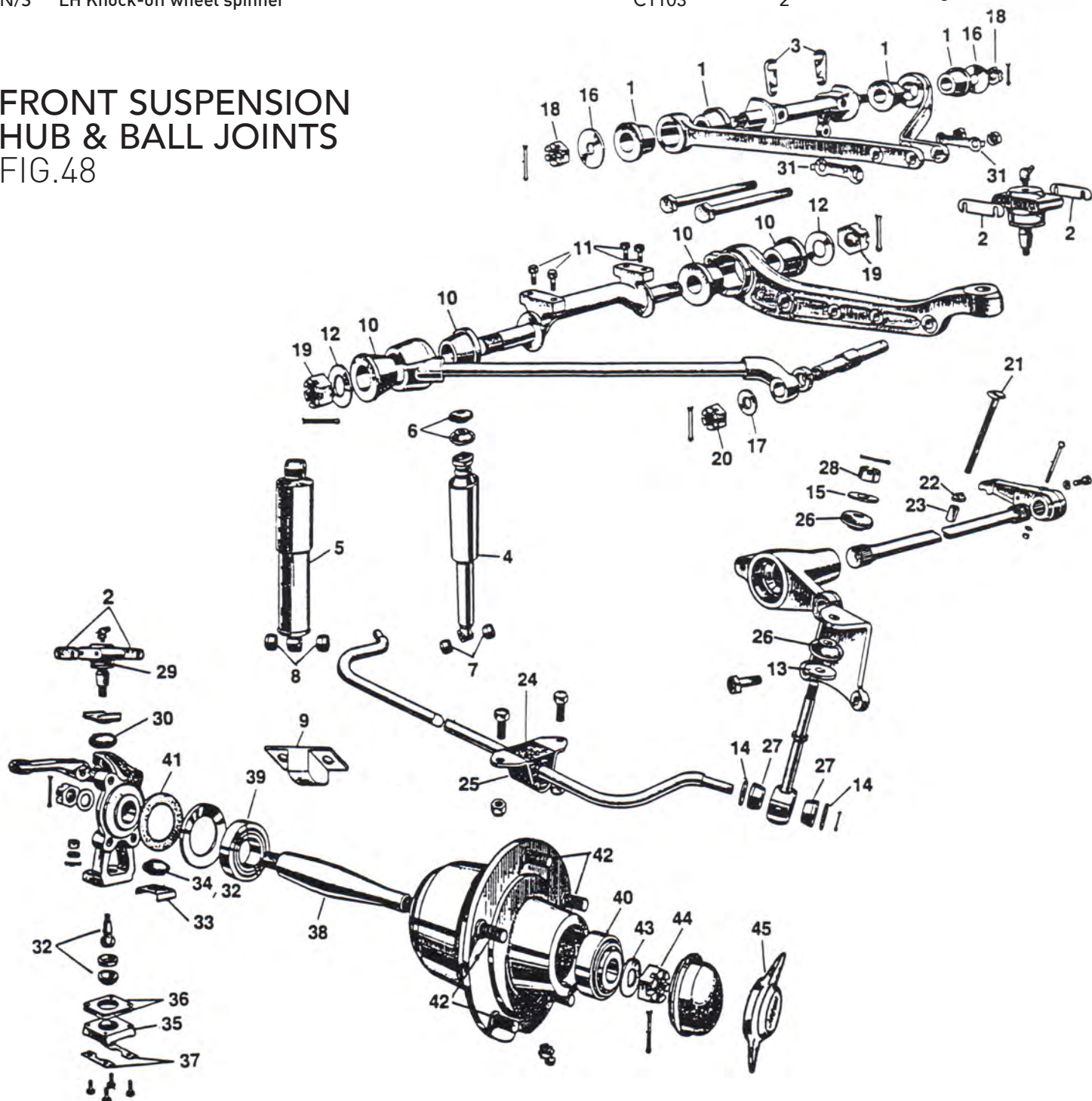




FIG.49 STEERING

#	DESCRIPTION	PART#	REQ.	KIT	MODELS					
					Mk4	Mk5	Mk7	Mk8	Mk9	
↓ LINKAGE										
1	Track rod ends (pair)	C3062/63	1		●					
	Steering tube ends (pair)	C3062/63	1		●					
2	Track rod end pin and bush	C3493	2			●				
3	RH Track rod end	C4226	1				●	●	●	
4	LH Track rod end	C4227	1				●	●	●	
5	Tie rod ends, pair (for tie rods with replaceable ends)	C3062/63	2		●					
6	Tie rod tube (for tie rods with replaceable ends)	C3071	2		●					
7	Tie rod assembly, pair (nonadjustable tie rods)	C4726/27	1		●					
8	Tie rod assembly (pair)	C4312/13	1				●	●	●	
9	Gaitor for tie rod ends	C3020	4		●	●	●	●	●	
↓ IDLER ASSEMBLY										
N/S	Lower seal	C3203	1		●					
10	Upper bearing	C4217	1				●	●	●	
11	Lower bearing	C4218	1				●	●	●	
12	Lower seal (felt)	C4215	1				●	●	●	
↓ STEERING COLUMN										
N/S	Steering wheel	C3721	1		●					
N/S	Steering wheel	C4353	1			●				
13	Steering wheel, PAS	C13849	1					●		
13	Steering wheel	C13849	1						●	
14	Grub screw securing centre control	C10378	1		●	●	●	●	●	
15	Steering column centre motif & control assembly	C4514	1			●	●			
N/S	Steering column centre motif & control assembly	C5531	1					●	●	
16	Horn contact kit in column (PAS models)	EL1065	1					●		
N/S	Horn contact kit in column	EL1065	1						●	
17	Slip ring in horn contact (included in EL1065)	C10317	1					●		
18	Rubber insulator block (PAS)	C8158	2					●	●	
19	Telescopic spring under steering wheel	C1024	1		●	●	●	●	●	
20	Upper spring cup	C3386	1			●				
20	Upper spring cup	C4457	2				●			
20	Upper spring cup (manual steering)	C4457	2					●		
20	Upper spring cup (PAS)	C3366	1					●		
20	Upper spring cup	C3366	1						●	
21	Lower spring cup	C3366	1		●					
21	Lower spring cup	C4458	1				●			
21	Lower spring cup (manual steering)	C4458	1					●		
21	Lower spring cup (PAS)	C8576	1					●		
21	Lower spring cup	C8576	1						●	
22	Circlip securing steering wheel on column	C1036	1		●	●				
N/S	Circlip securing steering wheel on column (manual steering)	C1036	1					●		
23	Split collet, seating PAS steering wheel (pair)	C7878	1					●		
23	Split collet (pair)	C7878	1						●	
24	Splined shaft (PAS)	C15619	1					●		
24	Splined shaft	C15619	1						●	
25	Felt bearing upper (PAS)	C20149	1					●		
26	Felt bearing lower (PAS)	C13855	1					●		
25	Felt bearing upper	C20149	1						●	
26	Felt bearing lower	C13855	1						●	
↓ STEERING COLUMN FLEXIBLE BUSHES										
27	Grommet in flexible coupling	C4884	4			●				
N/S	Grommet in flexible coupling (manual steering)	C4884	4					●		
28	Seal on coupling	C4934	1			●				
N/S	Seal on coupling (manual steering)	C4934	1					●		
29	Coupling assembly (PAS)	C10836/1	2						●	

FIG.49 STEERING

#	DESCRIPTION	PART#	REQ.	KIT	MODELS				
					Mk4	Mk5	Mk7	Mk8	Mk9
N/S	Coupling assembly	C10836/1	2						●
30	Cap screw in coupling (PAS)	C10838	8						●
30	Cap screw in coupling	C10838	8						●

STEERING
 FIG.49

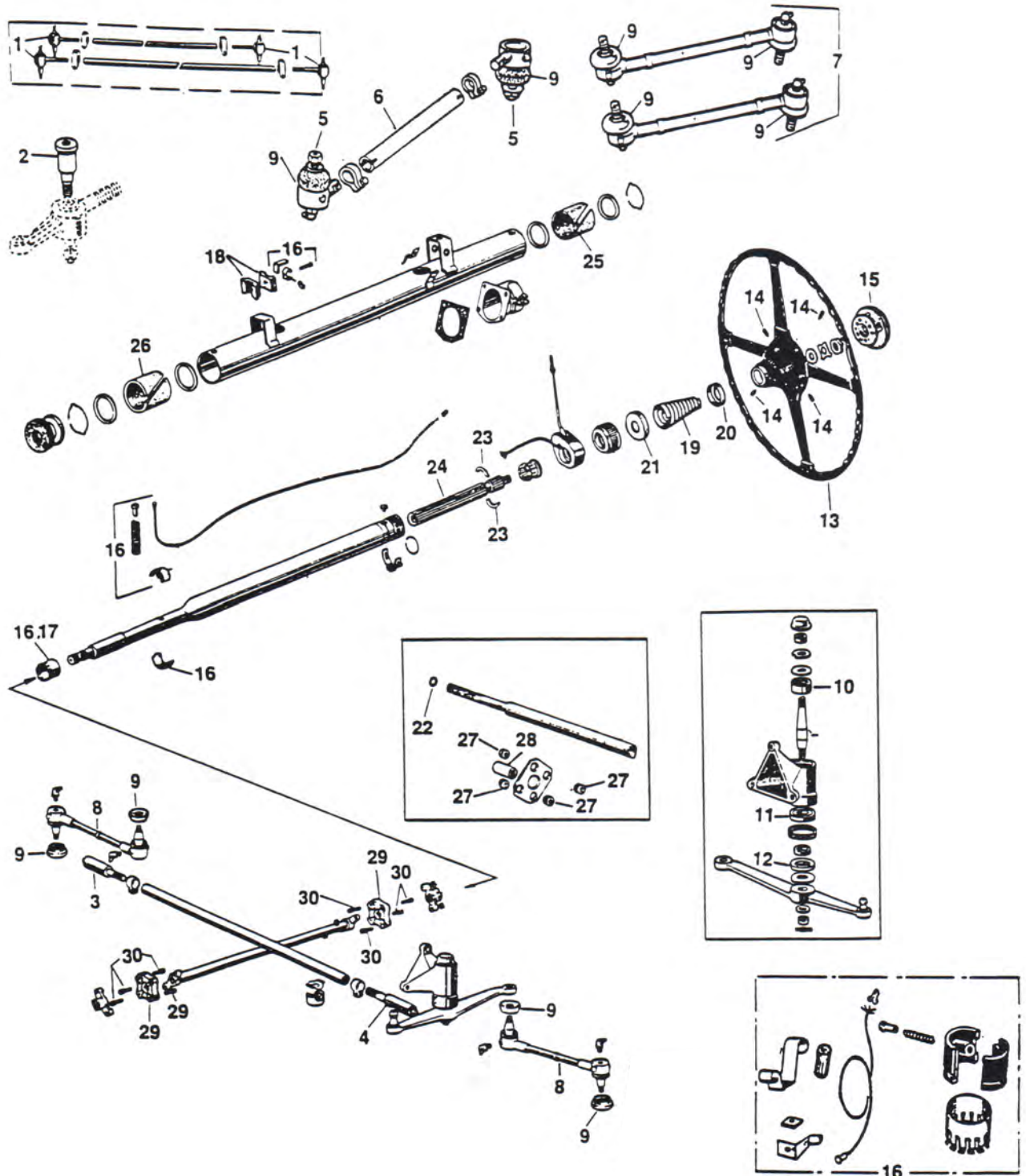
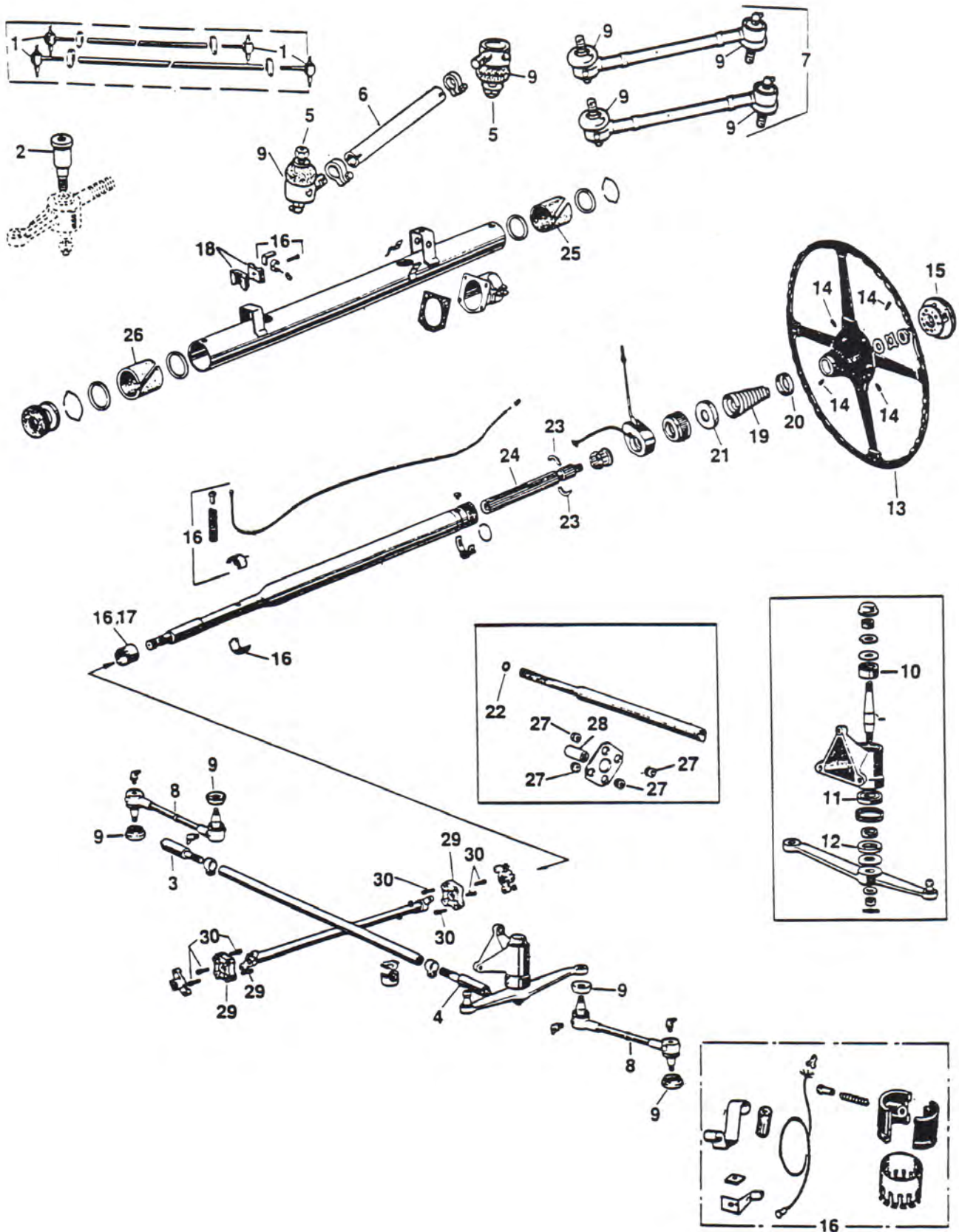




FIG.50 STEERING

#	DESCRIPTION	PART#	REQ.	KIT	MODELS				
					Mk4	Mk5	Mk7	Mk8	Mk9
↓ POWER STEERING COMPONENTS									
N/S	Seals kit for steering box	SU9001	1					●	●
N/S	Seals kit for steering pump	SU9008	1					●	●
1	Filter element in reservoir	7752	1					●	●
↓ HOSES									
N/S	Low pressure hose- reservoir to pump	C14323	1					●	
2	Low pressure hose- reservoir to pump	C18174	1						●
3	Low pressure hose- reservoir to box	C13986	1					●	●
4	High pressure hose- pump to box	C14148/2	1					●	●
↓ BANJO BOLTS & WASHERS									
5	Banjo bolt securing hose at steering box end plate	C1506	1					●	
N/S	(to chassis no. 790558)	C1506	1						●
N/S	(from chassis no. 790559)	C15273	1						●
6	Copper washer on banjo bolt	C2296/1	2					●	●
7	Banjo bolt- feed pipe to end of steering box	C1398/1	1					●	●
8	Copper washer on banjo bolt	C2296/1	2					●	●
9	Banjo bolt- feed pipe to top of steering box	C13984	1					●	●
10	Copper washer on banjo bolt	C2296/4	2					●	●
11	Banjo bolt securing hose to steering pump	C13972	1					●	●
12	Copper washer on banjo bolt	C2296/3	2					●	●
↓ STEERING BOX INTERNAL COMPONENTS									
N/S	Top cover gasket	3958	1					●	
13	Top cover gasket (manual steering)	3987	1					●	●
15	Upper end plate gasket (manual steering)	3988	1					●	●
14	Top cover gasket	7595	1					●	●
16	Lower end plate gasket	3984	1					●	●
17	PAS. Lower end plate gasket (0.0025")	7609	1					●	●
17	PAS. Lower end plate gasket (0.004")	8213	1					●	●
17	PAS. Lower end plate gasket (0.005")	7610	1					●	●
17	PAS. Lower end plate gasket (0.010")	7611	1					●	●
N/S	Ball race kit	SU9012	1					●	
N/S	Ball race (manual steering)	3997	1					●	●
18	Worm ball (manual steering)	137	14					●	●
19	Worm ball (PAS steering)	137	12					●	●
20	Top end plate ball (manual steering)	136	14					●	●
21	Top end plate ball (power steering)	142	21					●	●
22	Bottom end plate ball (manual steering)	136	14					●	●
23	Bottom end plate ball (power steering)	136	10					●	●
24	Lower bush for rocker shaft (manual steering)	139	1					●	●
N/S	Lower seal (manual steering)	4101	1					●	●
25	Lower seal (manual steering)	25	1					●	●
26	Worm seal, top end (manual steering)	4100	1					●	●
27	Felt seal for manette tube (manual steering)	153	1					●	●
28	PAS, Worm seal (included in steering box seals kit)	8216	1					●	●
29	O-ring on drop arm (manual steering)	6020	2					●	●
30	O-ring on drop arm, PAS	7607	2					●	●

STEERING
FIG.50



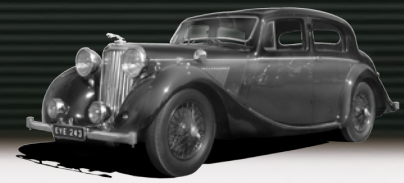
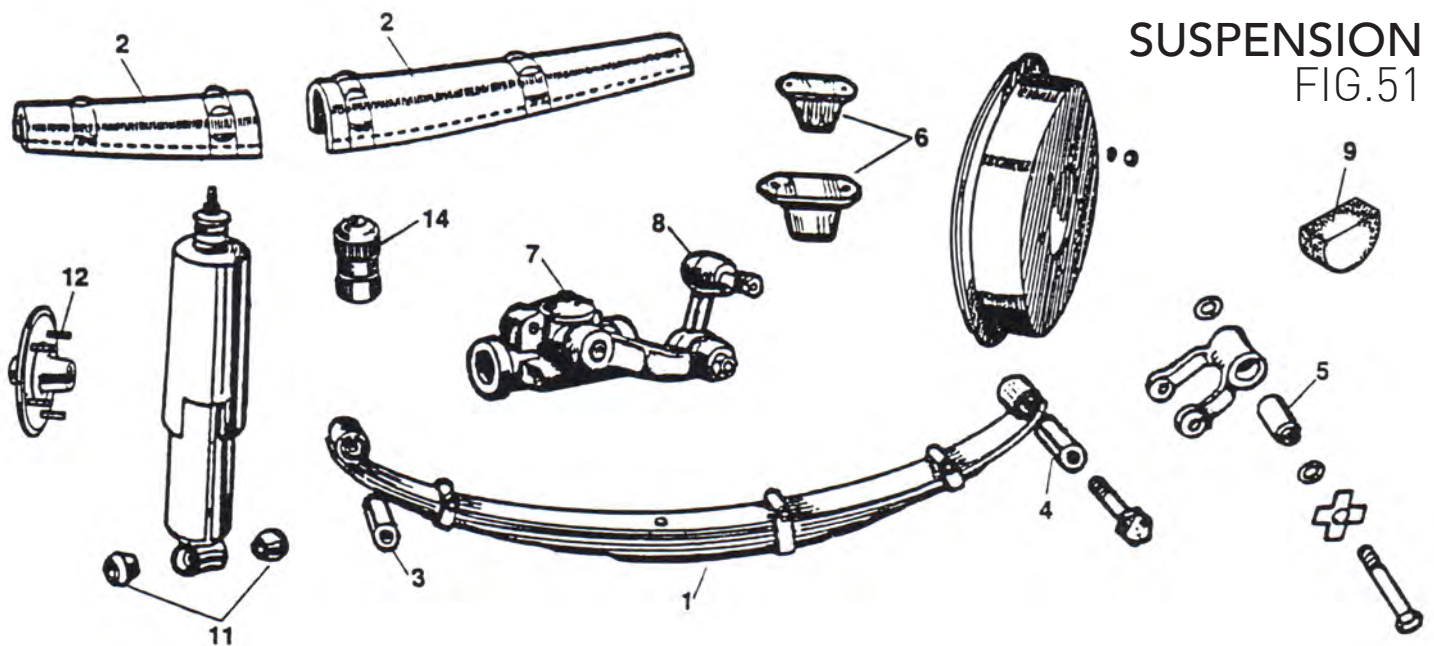


FIG.51 SUSPENSION

#	DESCRIPTION	PART#	REQ.	KIT	MODELS					
					Mk4	Mk5	Mk7	Mk8	Mk9	
↓ LEAF SPRINGS										
1	Leaf spring	C3103/A	2		•					
	Leaf spring	C13109	2			•	•	•	•	
2	Leaf spring gaitor set (2 leaf springs)	C2889/0	1		•	•				
2	Leaf spring gaitor set (to chassis no. 780461)	C2889/0	1				•			
↓ LEAF SPRING BUSHES										
3	Front	C3115	2		•					
3	Front	C11821	2			•	•	•		
4	Rear	C3334	2		•					
4	Rear	C11821	2			•	•	•		
5	Shackle bush	C1128	2			•	•	•		
6	Rear chassis bump stop	C3208	2		•	•	•	•		
↓ REAR SHOCK ABSORBERS										
7	RH lever arm Rebuilt unit (core required)	C7214	1		•	•				
7	LH lever arm Rebuilt unit (core required)	C7215	1		•	•				
N/S	Telescopic shock absorber	C16417	2				•	•	•	
↓ SHOCK ABSORBER LINKS										
8	RH link, new (lever arm)	677	2		•	•				
8	RH link, rebuilt (lever arm)	RB1011	2		•	•				
9	Check strap buffer (telescopic shock absorber model)	C16417	2		•	•	•			
↓ SHOCK ABSORBER MOUNTING BUSHES										
10	Upper	C3053	4				•	•	•	
11	Lower	C3273	4				•	•	•	
↓ WHEEL BEARINGS										
N/S	Wheel bearing, ENV axle	807	2		•					
N/S	Wheel bearing, Salisbury axle	3846	2		•	•	•	•	•	
N/S	Inner seal, ENV axle	801	2		•					
N/S	Inner seal, Salisbury axle	3848	2		•	•	•	•	•	
N/S	Outer seal, ENV axle	799	2		•					
N/S	Outer seal, Salisbury axle	7955	2		•	•	•	•	•	
12	Wheel stud in hub	C13365	10		•	•	•	•	•	
13	RH Knock-off spinner for wire wheels	C1102	1		•					
N/S	LH Knock-off spinner for wire wheels	C1103	1		•					
14	Chrome tyre valve stem caps (set of 4)	CR1055	1		•	•	•	•	•	



SUSPENSION
FIG.51

A		EXHAUST MOUNTINGS & BRACKETS	81
ACCELERATOR LINKAGE	86	EXHAUST SYSTEM	81
AUTOMATIC TRANSMISSION	77	EXTERIOR	15
B		EXTERIOR BADGES	88
BALL JOINTS	98	EXTERIOR CHROME	27, 29, 32
BANJO BOLTS & WASHERS	102	EXTERIOR HANDLES	28
BANJO FITTING	87	EXTERIOR LAMPS	45
BATTERY CABLES	48	F	
BATTERY MOUNTINGS	17	FILTER ELEMENTS	83
BODY FINISHERS	27, 32	FILTER HEAD	68
BODY LINE FINISHERS	32	FOG LAMP	56
BODY RUBBER	5, 8	FRONT CALIPERS	21
BODY SEALS	12	FRONT DRUM BRAKES	19
BRAKE ADJUSTER COMPONENTS	26	FRONT FLASHERS	44
BRAKE CONTROLS	23	FRONT SUSPENSION	98
BRAKE FLUID RESERVOIR	23	FRONT SUSPENSION HARDWARE	98
BRAKE PADS	21	FRONT SUSPENSION KIT	98
BRAKE PEDAL RUBBER PAD	23	FRONT VENT WINDOW LEVER	30
BRAKE PIPE END FITTINGS	24	FUEL FILLER	86
BUMPERS	32	FUEL FILLER HOSE	86
C		FUEL FILTER	86
CABLES & FITTINGS	48	FUEL PIPES	86
CARBURETTOR	84	FUEL PUMP	86
CARBURETTOR GASKETS	84	FUEL TANK	86
CARPET FASTENERS	94	FUEL TANK SENDER UNIT	86
CHASSIS	93	FUSES	43
CHROME FINISHER FASTENERS	92	G	
CHROME HARDWARE	73	GASKETS	
CHROME MOULDING FASTENERS	92	BODY GASKETS	12
CLUTCH ASSEMBLY	36	ENGINE GASKETS	61, 64, 73
CLUTCH HYDRAULICS	36	GEARBOX GASKETS	76, 79
CLUTCH MISCELLANEOUS	37	GEARBOX BEARINGS	76
CLUTCH OPERATING ASSEMBLY	36	GLASS SEALS	5, 8, 12
CONVERTIBLE TOP CHROME	28	H	
CONVERTIBLE TOP HARDWARE	94	HANBRAKE CABLES	25
COOLING FAN	40	HANBRAKE MECHANISM	25, 26, 27
COPPER SEALING WASHERS	74	HEADLAMPS	32, 44, 56
COPPER WASHERS	24, 61, 64	HEATER	40
CRANKSHAFT	60, 66	HEATER HOSES	38
CYLINDER BLOCK	60, 64	HORNS	53
CYLINDER HEAD	62, 71, 73	HOSE CLAMP KITS	39
CYLINDER OVERHAUL KITS	37	HOSE KITS	39
D		HOSES & FITTINGS	23
DASHBOARD KNOBS	15	HUB & BALL JOINTS	98
DHC RUBBER	6, 11	HYDRAULIC PIPE FITTINGS	37
DISTRIBUTOR	42	I	
DOOR PANEL CLIPS	94	IDENTIFICATION & MOTIFS	88
DOOR REPAIR PANELS	96	IDLER ASSEMBLY	100
DOORS	34	INSTRUMENT PANEL	45, 56
DYNAMO	50	INSTRUMENT PANEL SWITCHES	46
E		INSTRUMENT REBUILDING SERVICE	51
ENGINE BEARINGS	60	INSTRUMENTS	51
ENGINE COMPARTMENT	17	INTERIOR	15, 17
ENGINE COMPARTMENT CHROME	28, 33	INTERIOR BULBS	56
ENGINE COMPARTMENT DECAL	88	INTERIOR CHROME	30, 34
ENGINE HOSES	38	INTERIOR HANDLES	30
ENGINE MOUNTS	60, 64	INTERIOR HARDWARE	94
EXHAUST GASKETS	81	INTERIOR LAMPS	45, 56
		INTERIOR RUBBER	5, 12

**J**

J-LAMPS 44

L

LAMP MOUNTING PADS 12
 LAMPS 28, 32
 LEAF SPRING BUSHES 104
 LEAF SPRINGS 104
 LINKAGE 100

N

NUMBER PLATE 56
 NUMBER PLATE/REVERSE LAMP 45

O

OIL PUMP 68
 O-RINGS 74
 OUTRIGGERS 96
 OWNERS MANUAL 92

P

PANEL HARDWARE 94
 PARTS CATALOGUE 92
 PF770 LAMPS 44
 PISTON RINGS 60
 PISTONS 60, 66
 PLATES 88
 POWER STEERING COMPONENTS 102
 PRESSURE SWITCHES 53
 PROP SHAFT 74

R

RADIATOR CAP 40
 REAR CALIPERS 21
 REAR DRUM BRAKES 19
 REAR SHOCK ABSORBERS 104
 RELAYS 53
 RUBBER KITS 5, 8, 13

S

SALOON RUBBER 7, 9
 SEALED BEAMS 44
 SEALING WASHERS 74
 SEALS 64, 73, 76, 79
 SEAT BELTS 17
 SENDER UNITS 53
 SERVO REPAIR COMPONENTS 23
 SHEET METAL 97
 SHIMS 79
 SHOCK ABSORBER LINKS 104
 SHOCK ABSORBER MOUNTING BUSHES 98, 104
 SHOCK ABSORBERS 98, 104
 SIDELAMP 56
 SIDE LAMPS 44
 SOLENOIDS 53
 SPARK PLUG LEADS 42
 SPEEDOMETER CABLES 51
 SPRINGS 36
 STARTER 50

STARTER DRIVE - AUTOMATIC 50
 STARTER DRIVE - MANUAL 50

STEERING BOX INTERNAL COMPONENTS 102
 STEERING COLUMN 30, 34, 100
 STEERING COLUMN FLEXIBLE BUSHES 100
 STEERING WHEEL 100
 STOP/TAIL FLASHERS 44
 STUDS 73
 SUNROOF COMPONENTS 96
 SWITCHES 47
 SYNCHROS 76

T

TACHOMETER ANGLE DRIVE 51
 TACHOMETER CABLES 51
 TAIL LAMP 56
 TENAX FASTENERS 94
 THERMOSTATS 40
 THROTTLE SHAFT 84
 TIMING GEAR 62, 70
 TOP COVER 76, 79
 TRAFFICATORS 56

U

UNIONS 23
 UPHOLSTERY 94
 UPHOLSTERY CLIPS 94
 UPPER ENGINE 62

V

VACUUM SERVO ASSEMBLY 23
 VALVE TRAIN 62
 V-BELTS 40, 50, 74
 VOLTAGE REGULATOR 51

W

WARNING LAMP LENS 45
 WASHER/WIPER CHROME 33
 WATER PUMP 39
 WHEEL BEARINGS 104
 WHEELS 28, 32
 WING MOUNTED MIRROR 91
 WIPER ARM 55
 WIPER BLADE 55
 WIPER MOTOR 55
 WIPER/WASHER CHROME 28
 WIRING HARNESSSES 57
 WIRING SUNDRIES 42, 48
 WORKSHOP MANUAL 92

KEEPING JAGUARS PURRING

ALL OVER THE WORLD

Here's what
SNG Barratt
can do for you...

- EXPERIENCE, KNOWLEDGE & EXPERT ADVICE
- MULTILINGUAL STAFF TO HELP CUSTOMERS WORLDWIDE
- EXTENSIVE WAREHOUSES
- 1-2 DAY SHIPPING
- 24 HOUR ONLINE ORDERING & UP-TO-DATE STOCK AVAILABILITY
- INTERACTIVE PARTS SEARCH & FREE CATALOGUES



www.sngbarratt.com

ULTIMATE JAGUAR PARTS SPECIALIST





SNG BARRATT LTD
THE HERITAGE BUILDING
STOURBRIDGE ROAD
BRIDGNORTH
WV15 6AP

T: +44 (0) 1746 765432
E: sales.uk@sngbarratt.com



SNG BARRATT USA
92 LONDONDERRY TURNPIKE
MANCHESTER
NEW HAMPSHIRE
03104 USA

T: +1 800 452 4787
E: sales.usa@sngbarratt.com



SNG BARRATT NL
LAARAKKERWEG 12
5061 JR OISTERWIJK
NETHERLANDS

T: +31 (0) 13 521 1552
E: sales.nl@sngbarratt.com



SNG BARRATT FRANCE
62 CHEMIN DU BOIS D'ALIER
ZONE DES BERTHILIER
71850 CHARNAY LÈS MÂCON
FRANCE

T: +33 (0) 385 20 14 20
E: sales.fr@sngbarratt.com



ULTIMATE JAGUAR PARTS SPECIALIST

www.sngbarratt.com