

PART 6

SUPPLEMENT

TO

Mark VII and XK 120 Service Manual

TO COVER VARIATIONS IN TECHNICAL DATA, EQUIPMENT, ETC.

FOR

XK 140 MODEL

JAGUAR CARS LIMITED, COVENTRY, ENGLAND

ELECTRICAL AND INSTRUMENTS

WINDSCREEN WIPER MOTOR - REPLACING TYPE DR1 WITH TYPE DR3

The DR3 wiper motor and the DR1 motor are similar type units, both being two speed, self-parking wipers, the main difference between the two units being that whereas with the DR1 the mounting pillars are secured to the motor portion, the pillars are cast as part of the gearbox with DR3 units. Therefore a conversion bracket Jaguar Part No. 7259 (Lucas Part No. 744144) will be necessary with each DR3 replacement which when bolted to the DR3 mounting pillars, will allow the new unit to be fitted as a direct replacement for the DR1 motor.

Fitting Instructions

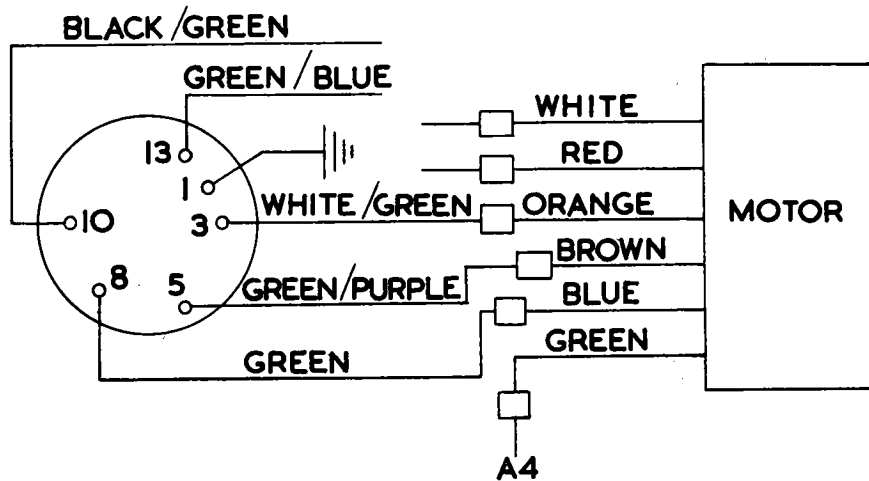
- 1) Disconnect the cable and remove the original motor from the vehicle. To disconnect the cross-head and flexible rack, the circlip (or hexagon nut on earlier DR1 motors) around the gear shaft on the underside of the gearbox should be removed. This will allow the final gear assembly to be partially withdrawn so that the connecting rod can be lifted clear of the cross head.
- 2) Remove the gearbox cover and circlip from the replacement DR3. Partially withdraw the final gear assembly and connecting rod, and attach the crosshead to the connecting rod. Push the final gear back into its original position and replace the circlip and gearbox cover.
- 3) Fit the conversion bracket to the motor, and bolt the assembly in position on the vehicle.

Wiring Instructions

- 1) Cut off the original five connectors from the wiper motor harness, and solder on the five "bullet" connectors.
- 2) Using rubber snap connectors, connect the leads from the DR3 motor to the harness, as illustrated below.

It will be necessary to remove and tape up the green cable feeding the panel control switch, since it is no longer required. With PRS7 switches, the feed cables is connected to terminal 8. Using the length of green cable supplied with the replacement motor, connect the green lead from the motor to the "A4" fuse box terminal.

ELECTRICAL



DR3 MOTOR and PRS7 SWITCH

If on testing the wiper it is found that the blades fail to park correctly, the parking position can be corrected by turning the knurled adjusting nut located near the gearbox cable outlet, one or two serrations at a time until the correct position is obtained.

SPEEDOMETER CABLES-NYLON INSERT TYPE

<u>Models affected</u>	<u>Commencing Chassis Numbers</u>	
	R.H. Drive	L.H. Drive
XK.140. Standard transmission		
Open 2 seater	800074	812707
Fixed H Coupe	804781	815778
Drop H Coupe	807447	818801
Overdrive Cars		
Open 2 seater	800072	812735
Fixed H Coupe	804784	815784
Drop H Coupe	-	818830
Auto. Transmission Cars		
Fixed H Coupe	804677	815532
Drop H Coupe	807387	818493

On cars with the above chassis numbers and onwards a modified type of speedometer cable with a nylon insert at one end of the inner cable is fitted. The part numbers are as follows :-

Standard transmission	C.8303
Overdrive cars	C.11964
Automatic Transmission cars	C.11965

Interchangeability

The modified type of cable is interchangeable with the previous types fitted as a complete assembly. The inner cables and outer cables are NOT individually interchangeable.

REVOLUTION COUNTER SALES - NYLON INSERT TYPE

<u>Models affected</u>		<u>Commencing Chassis Numbers</u>	
XK.140	F.H. Coupe	R.H. Drive 804640	L.H. Drive 815395
	D.H. Coupe	807367	818385

On cars with the above chassis numbers and onwards a modified type of revolution cable is fitted.

The part numbers are as follows :-

F.H. Coupe	C.11963.
D.H. Coupe	C.11961.

Identification

The modified type of cable has a nylon insert at one end of the inner cable.

Interchangeability

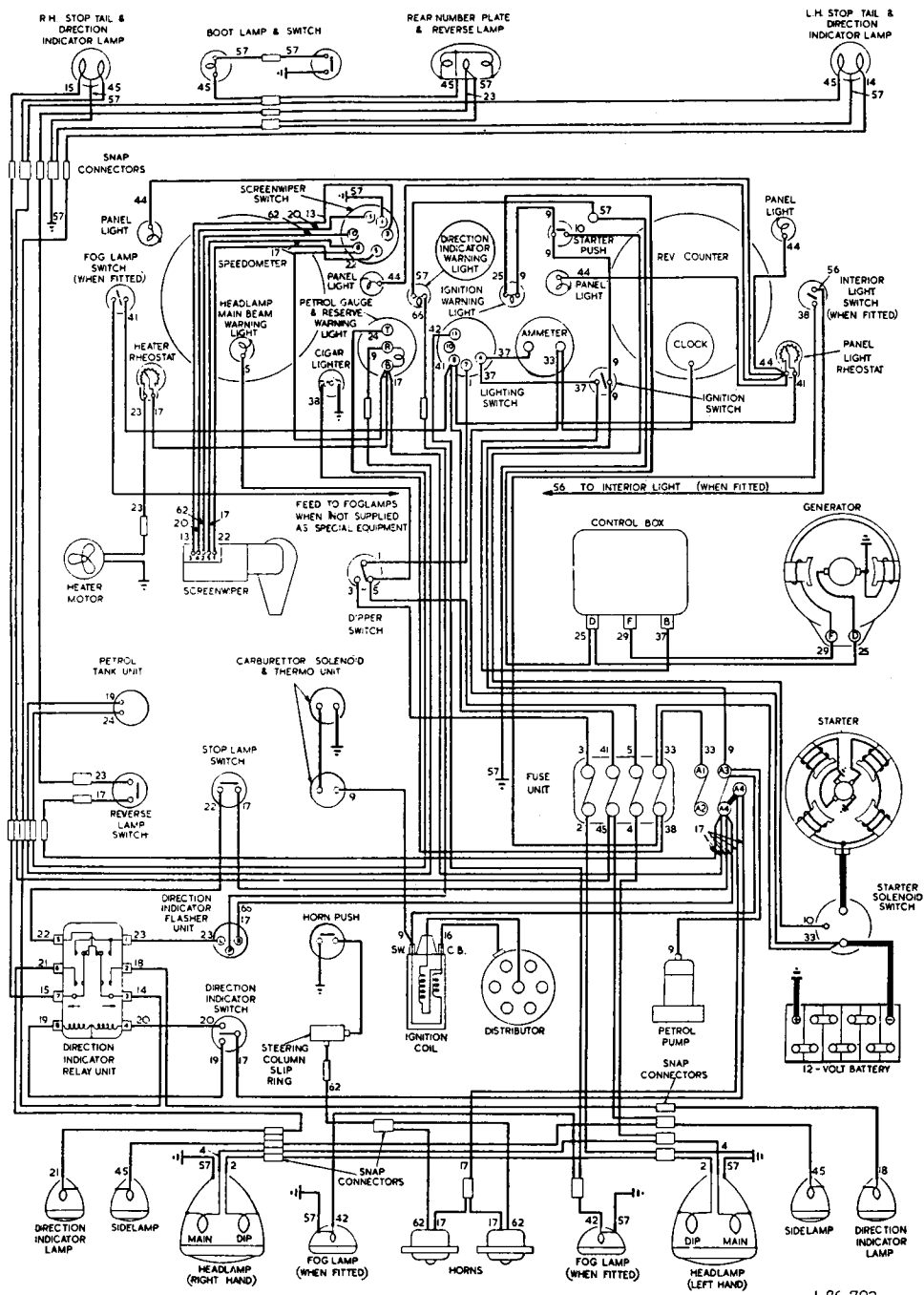
The modified type of cable is interchangeable with the previous types fitted as a complete assembly. The inner cables and outer cables are NOT individually interchangeable.



XK 140 CARS (1955)

JAGUAR

HOME AND EXPORT MODELS



J 86-793

KEY TO CABLE COLOURS

- | | | | | |
|----------------------|----------------------|-----------------------|-----------------------|----------------------|
| 1 BLUE | 15 WHITE with BROWN | 28 YELLOW with WHITE | 41 RED | 54 PURPLE with GREEN |
| 2 BLUE with RED | 16 WHITE with BLACK | 29 YELLOW with GREEN | 42 RED with YELLOW | 55 PURPLE with BROWN |
| 3 BLUE with YELLOW | 17 GREEN | 30 YELLOW with PURPLE | 43 RED with BLUE | 56 PURPLE with BLACK |
| 4 BLUE with WHITE | 18 GREEN with RED | 31 YELLOW with BROWN | 44 RED with WHITE | 57 BLACK |
| 5 BLUE with GREEN | 19 GREEN with YELLOW | 32 YELLOW with BLACK | 45 RED with GREEN | 58 BLACK with RED |
| 6 BLUE with PURPLE | 20 GREEN with BLUE | 33 BROWN | 46 RED with PURPLE | 59 BLACK with YELLOW |
| 7 BLUE with BROWN | 21 GREEN with WHITE | 34 BROWN with RED | 47 RED with BROWN | 60 BLACK with BLUE |
| 8 BLUE with BLACK | 22 GREEN with PURPLE | 35 BROWN with YELLOW | 48 RED with BLACK | 61 BLACK with WHITE |
| 9 WHITE | 23 GREEN with BROWN | 36 BROWN with BLUE | 49 PURPLE | 62 BLACK with GREEN |
| 10 WHITE with RED | 24 GREEN with BLACK | 37 BROWN with WHITE | 50 PURPLE with RED | 63 BLACK with PURPLE |
| 11 WHITE with YELLOW | 25 YELLOW | 38 BROWN with GREEN | 51 PURPLE with YELLOW | 64 BLACK with BROWN |
| 12 WHITE with BLUE | 26 YELLOW with RED | 39 BROWN with PURPLE | 52 PURPLE with BLUE | 65 DARK GREEN |
| 13 WHITE with GREEN | 27 YELLOW with BLUE | 40 BROWN with BLACK | 53 PURPLE with WHITE | 66 LIGHT GREEN |

NUMBERS INDICATE CABLE IDENTIFICATION COLOURS